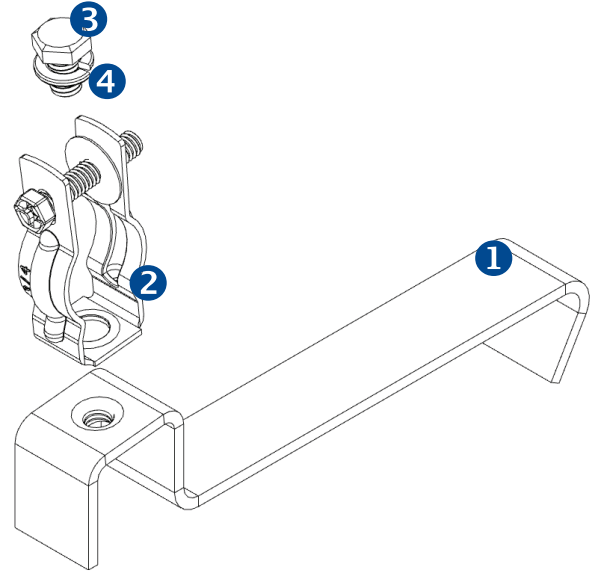


# Tile Conduit Support Installation Manual

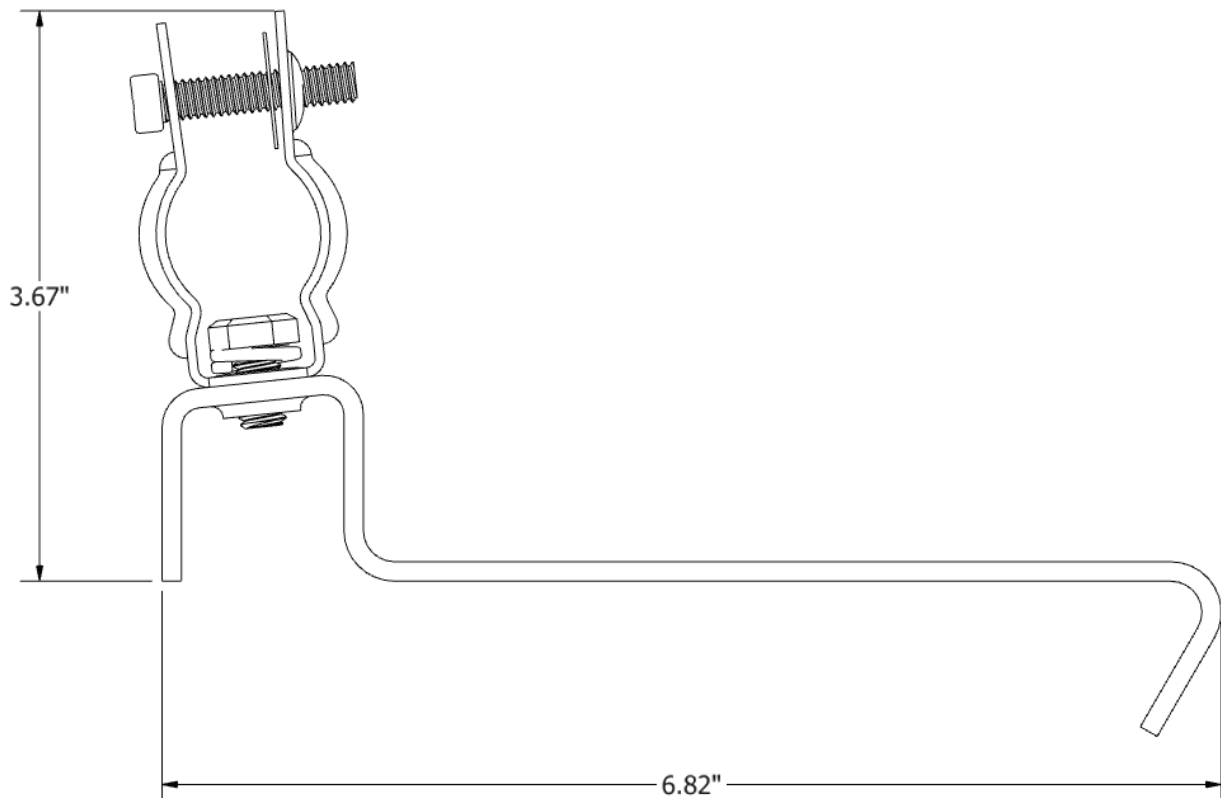
Part No. 242-02104

## Materials Included

- ① SnapNrack Conduit Tile Hook
- ② 3/4" EMT Conduit Support
- ③ 5/16"-18 x 1/2" SS HCS Bolt
- ④ 5/16" SS Split Lock Washer



Technical Specifications	
Dimensions	1-3/4" Above Roof Surface (to bottom of conduit)
Material	Conduit Tile Hook: 6000 Series Aluminum Conduit Strap: Zinc-Plated Steel Hardware: Stainless Steel
Compatibility	3/4" EMT Conduit, Tile Roofs



## Required Tools

- Socket Wrench
- 1/2" Socket
- Phillips Head Screwdriver or 3/8" Socket
- Tape Measure

## Installation Instructions

1. Determine location of conduit supports based on conduit run and mark roof surface if desired.

***Design Note: Conduit support locations shall meet the requirements of NEC Article 358, and should not exceed 10' between supports or 3' from enclosures.***

2. Lift tile in course above conduit support location.
3. Slide conduit support underneath the lifted tile and hook it over tile below, so bent end of hook rests against tile.
4. Lower tile above onto hook and ensure hook is secured between tiles.
5. Drop conduit into the support strap and tighten hardware until conduit is secure.

