

DESCRIPTION:
SNAPNRACK, JUNCTION BOX R

DOC NUMBER:
 SNR-DC-01393

SnapNrack®

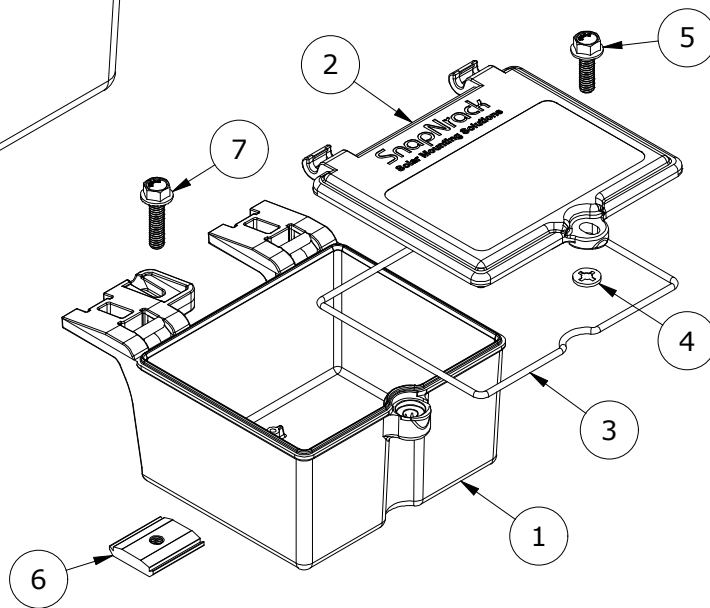
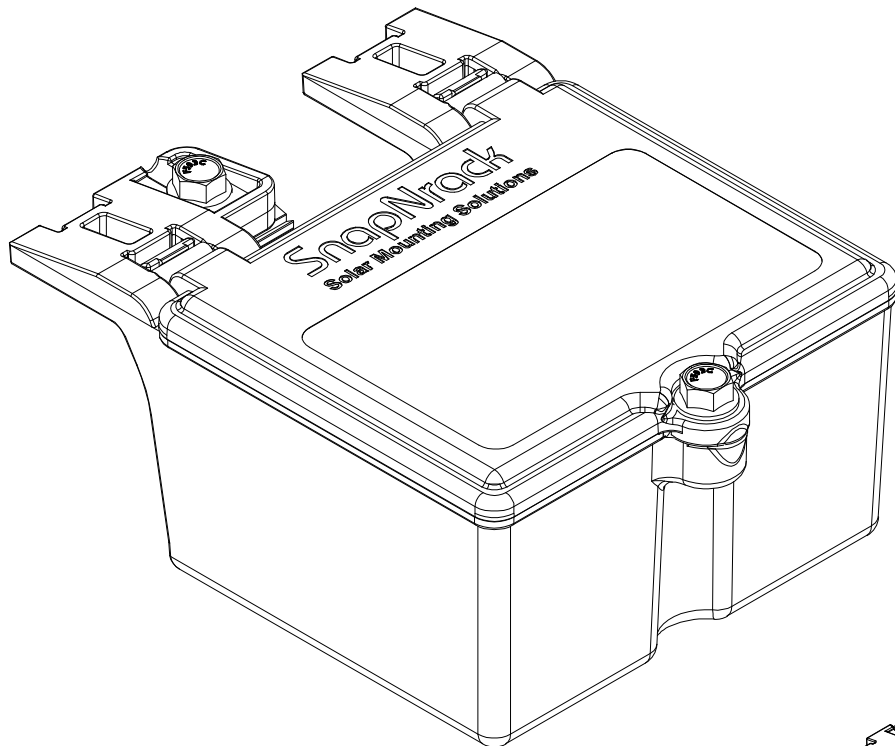
PART NUMBER(S):
 242-01104

DRAWN BY:
 D. Ryan

REV: **B** DATE:
 1/20/2023

SUNRUN INSTALLATION SERVICES INC.
 225 BUSH STREET, SUITE 1400 • SAN FRANCISCO, CA 94104 USA
 PHONE (877) 732-2860 • CONTACT@SNAPNRACK.COM
THE INFORMATION IN THIS DRAWING IS CONFIDENTIAL AND PROPRIETARY. ANY REPRODUCTION, DISCLOSURE, OR USE THEREOF IS PROHIBITED WITHOUT THE WRITTEN CONSENT OF SUNRUN SOUTH LLC.

UNITS: IN, LB, DEG [MM, KG, DEG] SHEET: 1:2



PARTS LIST

ITEM	QTY	DESCRIPTION
1	1	SNAPNRACK, JUNCTION BOX R BODY, PLASTIC
2	1	SNAPNRACK, JUNCTION BOX LID, NO GASKET
3	1	SNAPNRACK, JUNCTION BOX GASKET
4	1	SNAPNRACK, RETAINING WASHER FOR STANDARD BOLTS, PLASTIC
5	1	BOLT, FLANGE, 5/16IN-18 X 1IN, NON-SERRATED, BLACK, SS
6	1	SNAPNRACK CHANNEL NUT 5/16IN-18
7	1	BOLT, FLANGE, SERRATED, 5/16IN-18 X 1-1/4IN, BLACK, SS

MATERIALS: POLYCARBONATE, STAINLESS STEEL, RUBBER

DESIGN LOAD (LBS): N/A

ULTIMATE LOAD (LBS): N/A

TORQUE SPECIFICATION: 5 (CHANNEL NUT), 3 (LID) FT-LBS

CERTIFICATION: UL50, NEMA 4X RATING

WEIGHT (LBS): 1.16

DESCRIPTION:
SNAPNRACK, JUNCTION BOX R

DOC NUMBER:
SNR-DC-01393

SnapNrack®

PART NUMBER(S):
242-01104

DRAWN BY:
D. Ryan

SUNRUN INSTALLATION SERVICES INC.

225 BUSH STREET, SUITE 1400 • SAN FRANCISCO, CA 94104 USA
PHONE (877) 732-2860 • CONTACT@SNAPNRACK.COM

UNITS: IN, LB, DEG [MM, KG, DEG] SHEET: 2:2

REV: **B** DATE: 1/20/2023

THE INFORMATION IN THIS DRAWING IS CONFIDENTIAL AND PROPRIETARY. ANY REPRODUCTION, DISCLOSURE, OR USE THEREOF IS PROHIBITED WITHOUT THE WRITTEN CONSENT OF SUNRUN SOUTH LLC.

