

DESCRIPTION:

SNAPNRACK, ULTRA RAIL COMP KIT

DRAWN BY:

mwatkins

SnapNrack®

PART NUMBER(S):

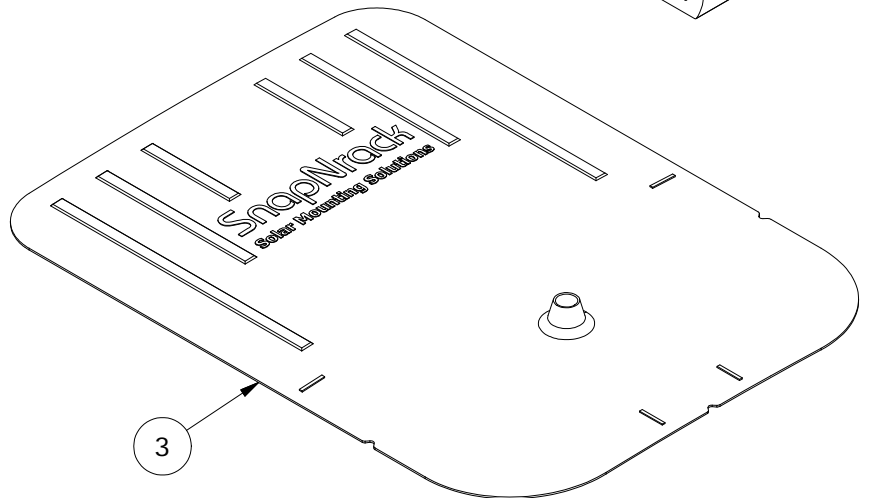
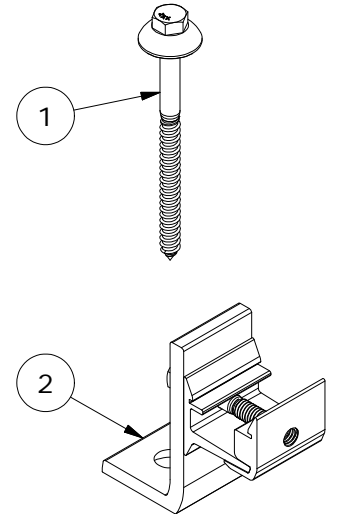
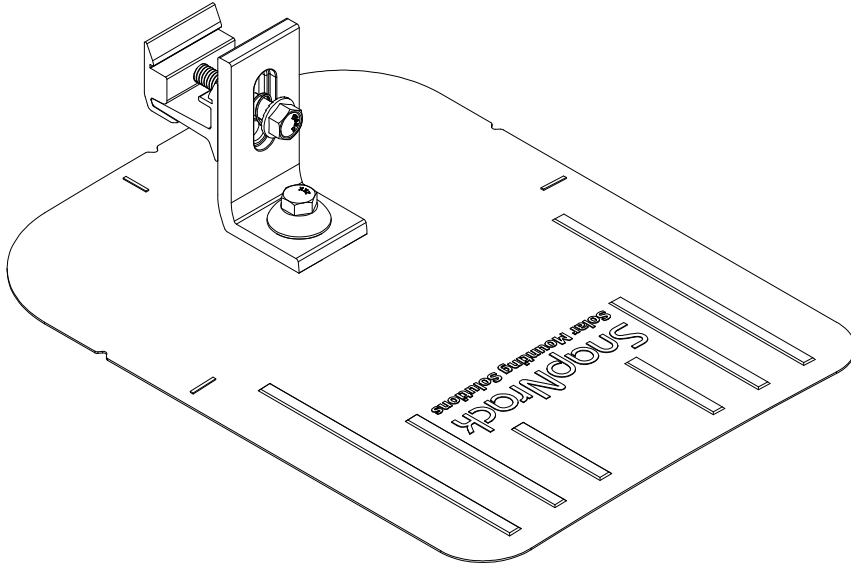
SEE BELOW

REVISION:

C

595 MARKET STREET, 29TH FLOOR • SAN FRANCISCO, CA 94105 USA  
PHONE (415) 580-6900 • FAX (415) 580-6902

THE INFORMATION IN THIS DRAWING IS CONFIDENTIAL AND PROPRIETARY. ANY REPRODUCTION, DISCLOSURE, OR USE THEREOF IS PROHIBITED WITHOUT THE WRITTEN CONSENT OF SUNRUN SOUTH LLC.



PARTS LIST

ITEM	QTY	PART NUMBER	DESCRIPTION
1	1	242-92266	SNAPNRACK, UMBRELLA LAG, TYPE 3, 4IN, SS
2	1	242-01219, 242-01220	SNAPNRACK, ULTRA RAIL UMBRELLA L FOOT, SILVER / BLACK
3	1	232-01375, 232-01376, 232-01377	SNAPNRACK, COMP FLASHING, 9IN X 12IN, SILVER / BLACK

MATERIALS:	6000 SERIES ALUMINUM, STAINLESS STEEL, RUBBER
DESIGN LOAD (LBS):	802 UP, 1333 DOWN, 356 SIDE
ULTIMATE LOAD (LBS):	2005 UP, 4000 DOWN, 1070 SIDE
TORQUE SPECIFICATION:	12 LB-FT
CERTIFICATION:	UL 2703, FILE E359313; WIND-DRIVEN RAIN TEST FROM UL SUBJECT 2582
WEIGHT (LBS):	0.79 - 1.03

DESCRIPTION:

SNAPNRACK, ULTRA RAIL COMP KIT

DRAWN BY:

mwatkins

SnapNrack®

PART NUMBER(S):

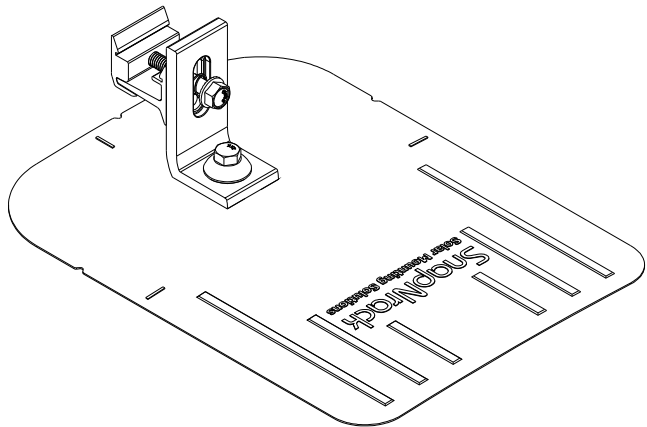
SEE BELOW

REVISION:

C

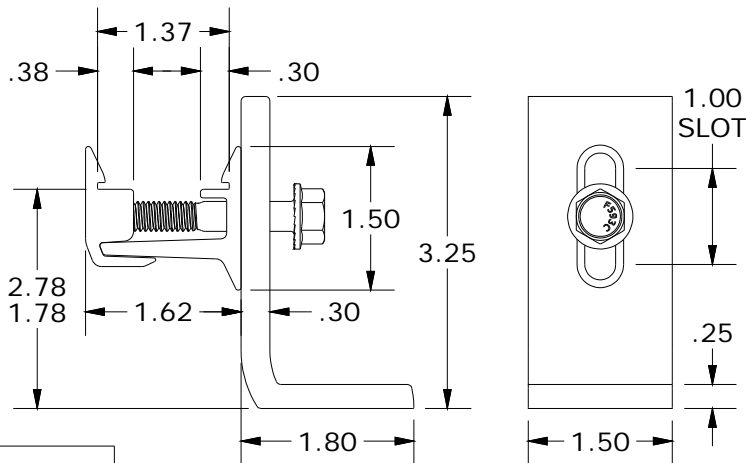
595 MARKET STREET, 29TH FLOOR • SAN FRANCISCO, CA 94105 USA  
PHONE (415) 580-6900 • FAX (415) 580-6902

THE INFORMATION IN THIS DRAWING IS CONFIDENTIAL AND PROPRIETARY. ANY REPRODUCTION, DISCLOSURE, OR USE THEREOF IS PROHIBITED WITHOUT THE WRITTEN CONSENT OF SUNRUN SOUTH LLC.



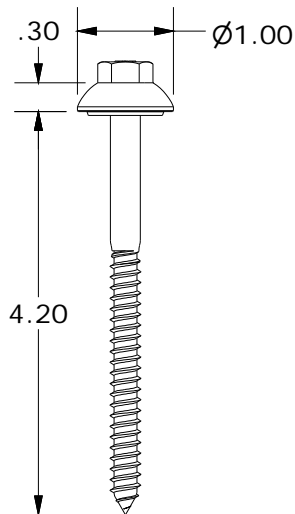
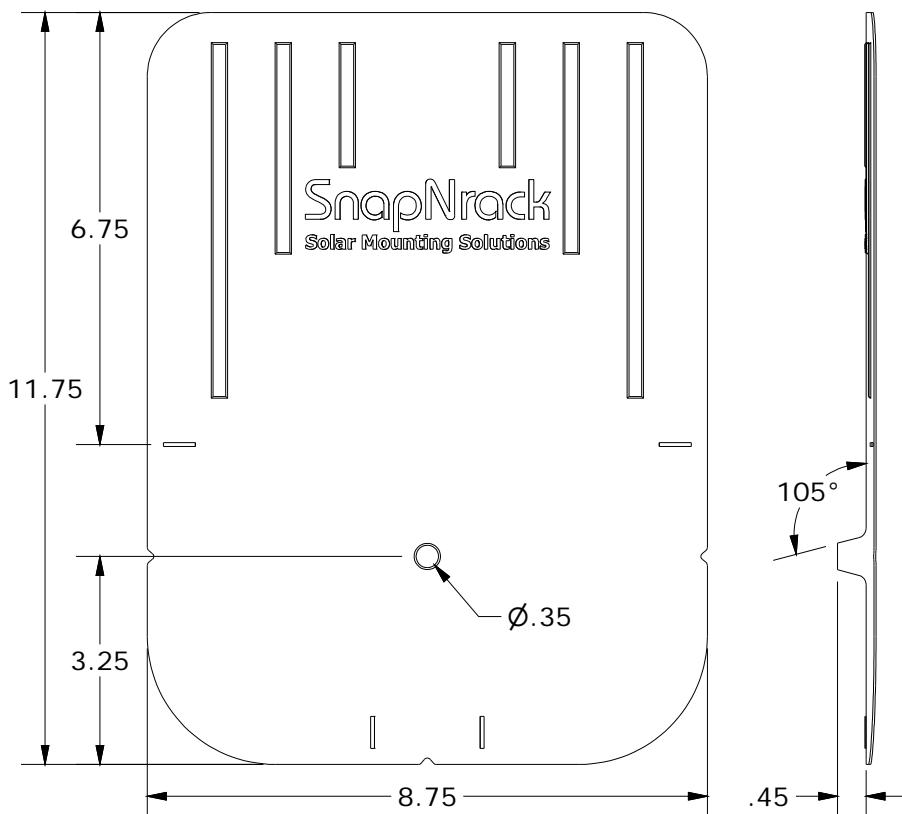
UMBRELLA L FOOT PROPERTIES

SKU	DESCRIPTION
242-01219	ULTRA RAIL UMBRELLA L FOOT, SILVER
242-01220	ULTRA RAIL UMBRELLA L FOOT, BLACK



COMP FLASHING PROPERTIES

SKU	DESCRIPTION
232-01375	COMP FLASHING, 9" X 12", BLACK ALUM
232-01376	COMP FLASHING, 9" X 12", SILVER ALUM
232-01377	COMP FLASHING, 9" X 12", BLACK GALVALUME



ALL DIMENSIONS IN INCHES