

DESCRIPTION:
SNAPRACK, ULTRA RAIL STANDARD BASE SEAM CLAMP WITH L FOOT AND LOCK

DRAWN BY:

mwatkins

SnapNrack™
Solar Mounting Solutions

PART NUMBER(S):

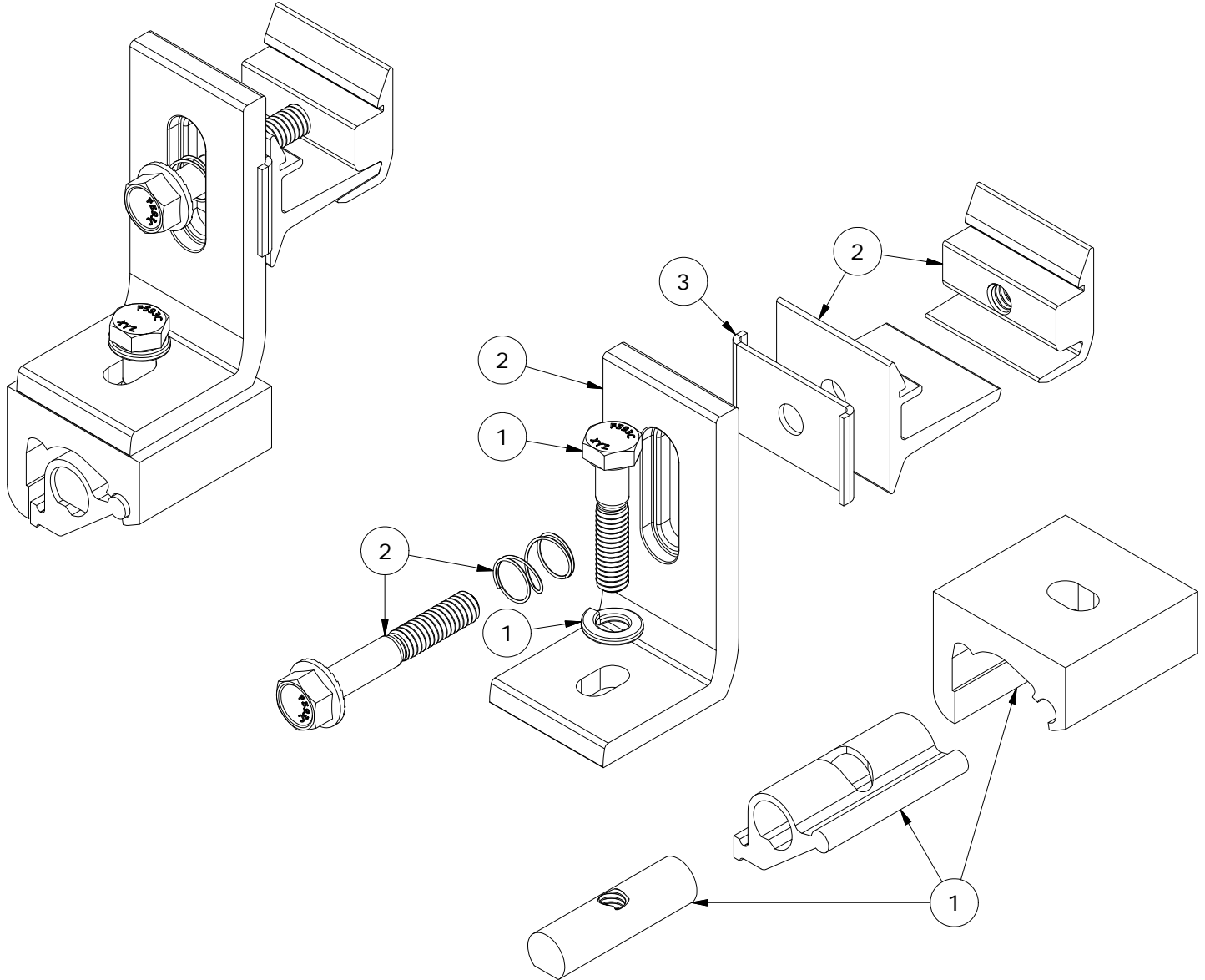
242-05158

REVISION:

B

595 MARKET STREET, 29TH FLOOR • SAN FRANCISCO, CA 94105 USA
 PHONE (415) 580-6900 • FAX (415) 580-6902

THE INFORMATION IN THIS DRAWING IS CONFIDENTIAL AND PROPRIETARY. ANY REPRODUCTION, DISCLOSURE, OR USE THEREOF IS PROHIBITED WITHOUT THE WRITTEN CONSENT OF SUNRUN SOUTH LLC.



PARTS LIST

ITEM	QTY	DESCRIPTION
1	1	SNAPRACK, STANDARD BASE SEAM CLAMP
2	1	SNAPRACK, ULTRA RAIL ALL PURPOSE L FOOT (90 DEG), SILVER
3	1	SNAPRACK, SEAM CLAMP ROTATION LOCK

MATERIALS:

6000 SERIES ALUMINUM, STAINLESS STEEL

OPTIONS:

DESIGN LOAD (LBS):

598 UP, 461 DOWN, 275 SIDE

ULTIMATE LOAD (LBS):

1463 UP, 652 DOWN, 602 SIDE

TORQUE SPECIFICATION:

15-16 LB-FT

CERTIFICATION:

UL 2703, FILE E359313

WEIGHT (LBS):

0.70

DESCRIPTION:
**SNAPNRACK, ULTRA RAIL STANDARD BASE SEAM
 CLAMP WITH L FOOT AND LOCK**

DRAWN BY:

mwatkins

REVISION:

B

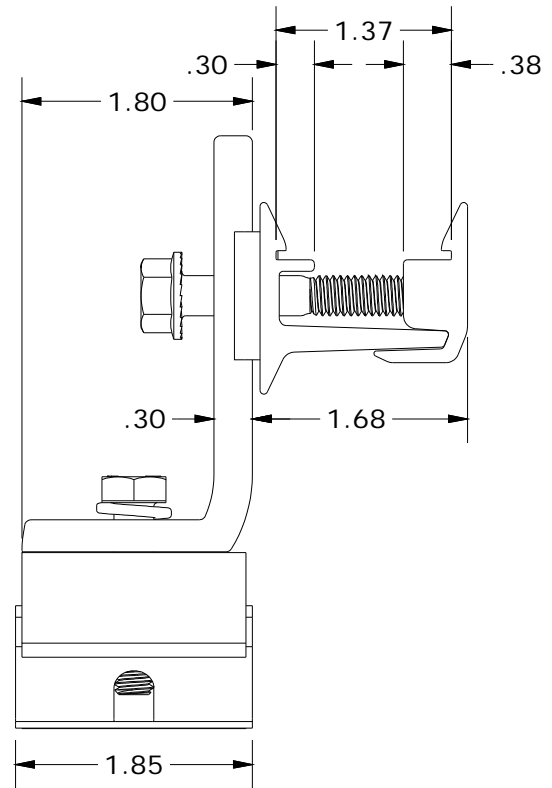
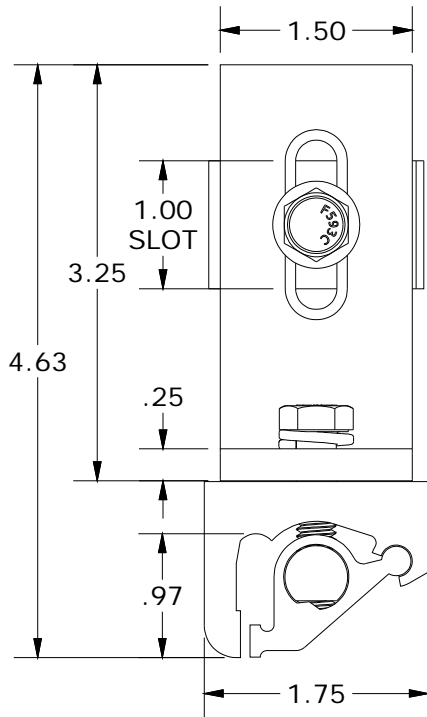
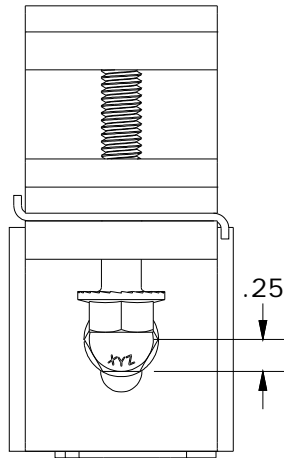
SnapNrack™
 Solar Mounting Solutions

PART NUMBER(S):

242-05158

595 MARKET STREET, 29TH FLOOR • SAN FRANCISCO, CA 94105 USA
 PHONE (415) 580-6900 • FAX (415) 580-6902

THE INFORMATION IN THIS DRAWING IS CONFIDENTIAL AND PROPRIETARY. ANY
 REPRODUCTION, DISCLOSURE, OR USE THEREOF IS PROHIBITED WITHOUT THE
 WRITTEN CONSENT OF SUNRUN SOUTH LLC.



ALL DIMENSIONS IN INCHES