

DESCRIPTION:
SNAPNRACK, ULTRA RAIL TILE HOOK F

PART NUMBER(S):
242-01247

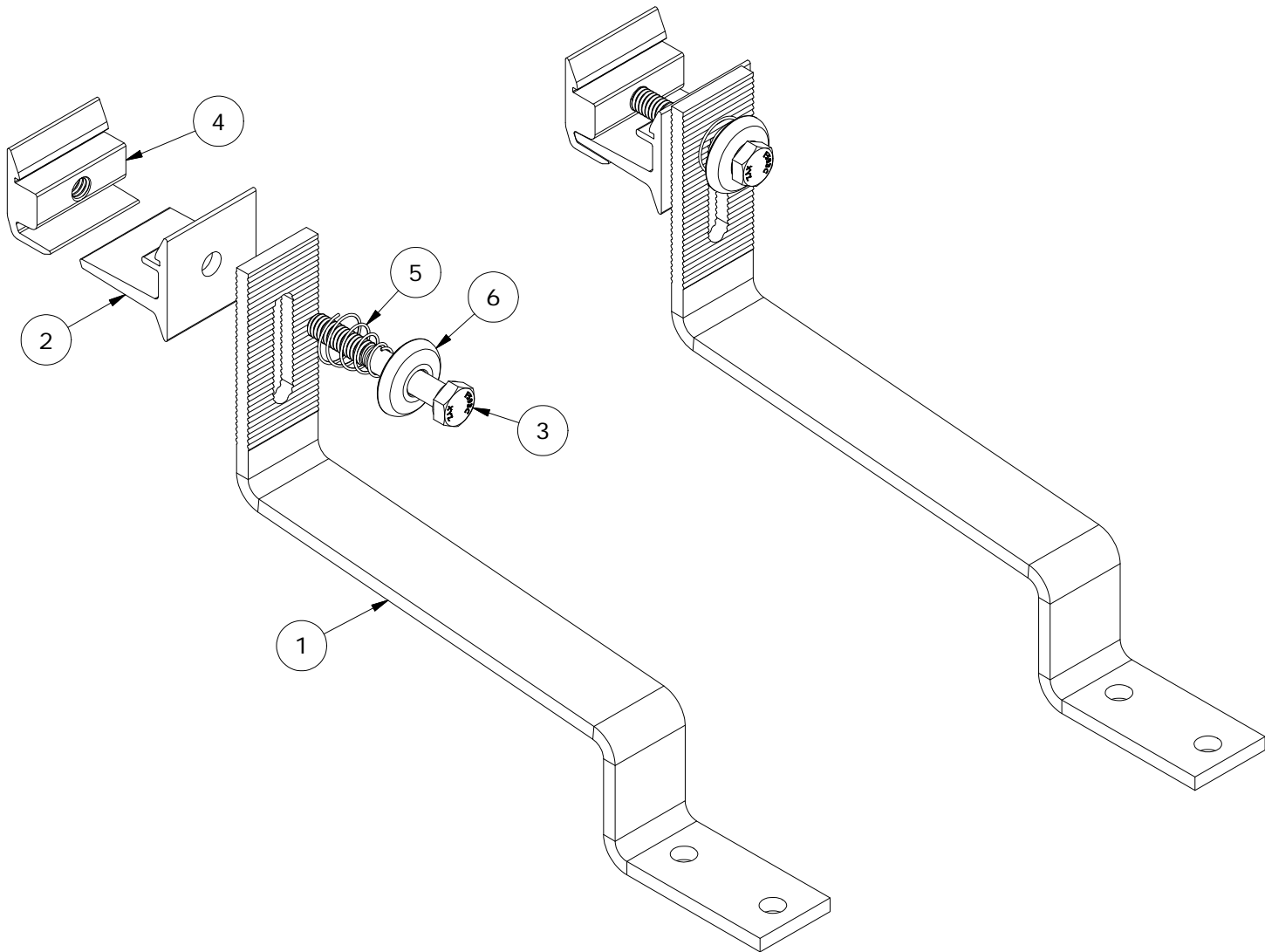
DRAWN BY:
 mwatkins

REVISION:
A

SnapNrack™
 Solar Mounting Solutions

595 MARKET STREET, 29TH FLOOR • SAN FRANCISCO, CA 94105 USA
 PHONE (415) 580-6900 • FAX (415) 580-6902

THE INFORMATION IN THIS DRAWING IS CONFIDENTIAL AND PROPRIETARY. ANY REPRODUCTION, DISCLOSURE, OR USE THEREOF IS PROHIBITED WITHOUT THE WRITTEN CONSENT OF SUNRUN SOUTH LLC.



PARTS LIST		
ITEM	QTY	DESCRIPTION
1	1	SNAPNRACK, TILE HOOK F PRC, SS
2	1	SNAPNRACK, ULTRA RAIL MOUNT THRU PRC, CLEAR
4	1	SNAPNRACK, ULTRA RAIL MOUNT TAPPED PRC, CLEAR
3	1	BOLT, FLANGE, SERRATED, 5/16IN-18 X 1-3/4IN, SS
5	1	SNAPNRACK, ULTRA RAIL MOUNT SPRING, SS
6	1	SNAPNRACK, ULTRA RAIL MOUNT SPRING CAGE

MATERIALS:	6000 SERIES ALUMINUM, STAINLESS STEEL	OPTIONS:
DESIGN LOAD (LBS):	820 UP, 500 DOWN, 430 SIDE	
ULTIMATE LOAD (LBS):	2121 UP, 1304 DOWN, 1662 SIDE	
TORQUE SPECIFICATION:	12 LB-FT	
CERTIFICATION:	UL 2703, FILE E359313	
WEIGHT (LBS):	1.06	

DESCRIPTION:
SNAPNRACK, ULTRA RAIL TILE HOOK F

DRAWN BY:
mwatkins

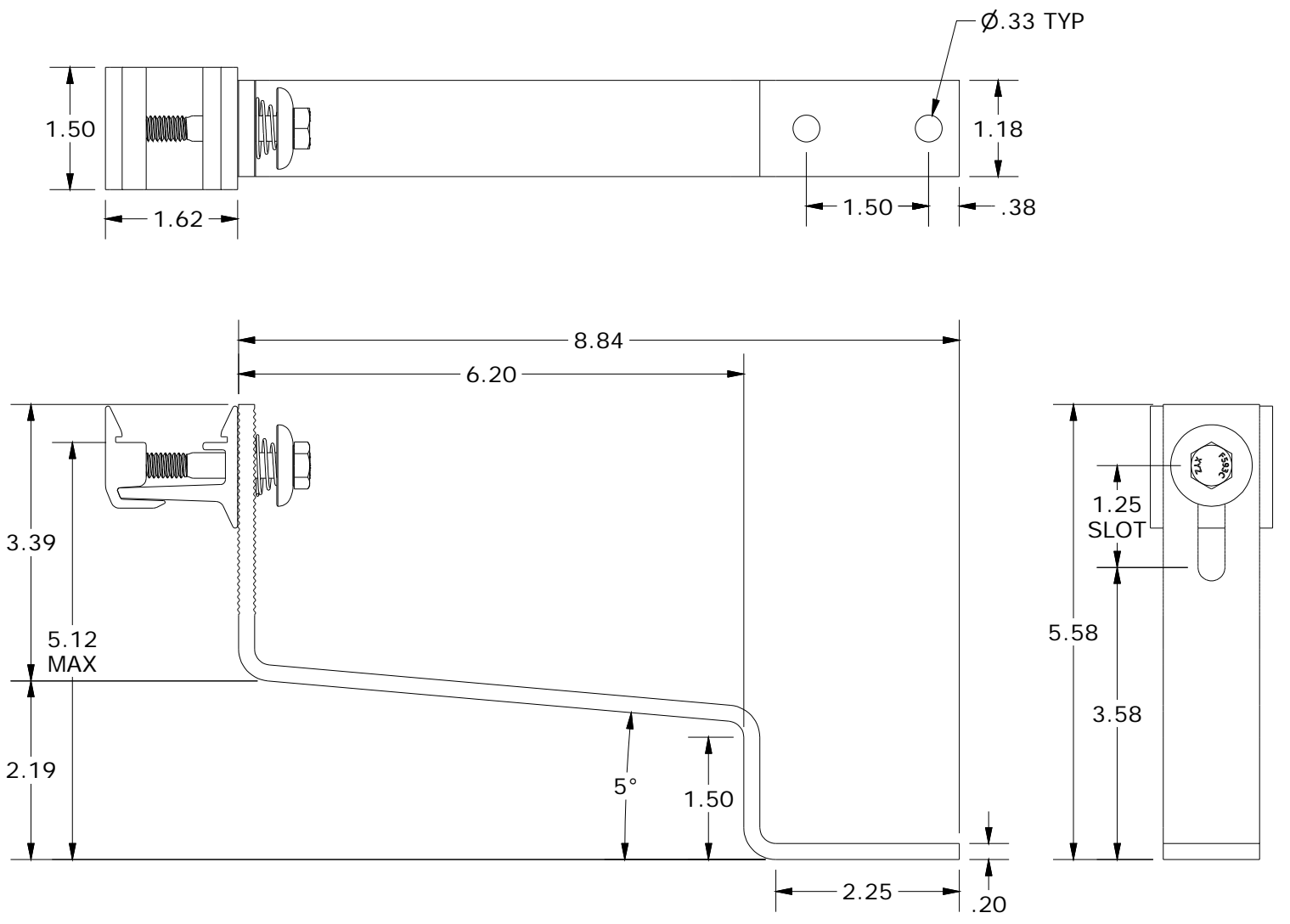


PART NUMBER(S):
242-01247

REVISION:
A

595 MARKET STREET, 29TH FLOOR • SAN FRANCISCO, CA 94105 USA
PHONE (415) 580-6900 • FAX (415) 580-6902

THE INFORMATION IN THIS DRAWING IS CONFIDENTIAL AND PROPRIETARY. ANY REPRODUCTION, DISCLOSURE, OR USE THEREOF IS PROHIBITED WITHOUT THE WRITTEN CONSENT OF SUNRUN SOUTH LLC.



ALL DIMENSIONS IN INCHES