

DESCRIPTION:
SNAPNRACK, ULTRA RAIL WIDE BASE SEAM CLAMP WITH L FOOT AND LOCK

DRAWN BY:

mwatkins

REVISION:

A

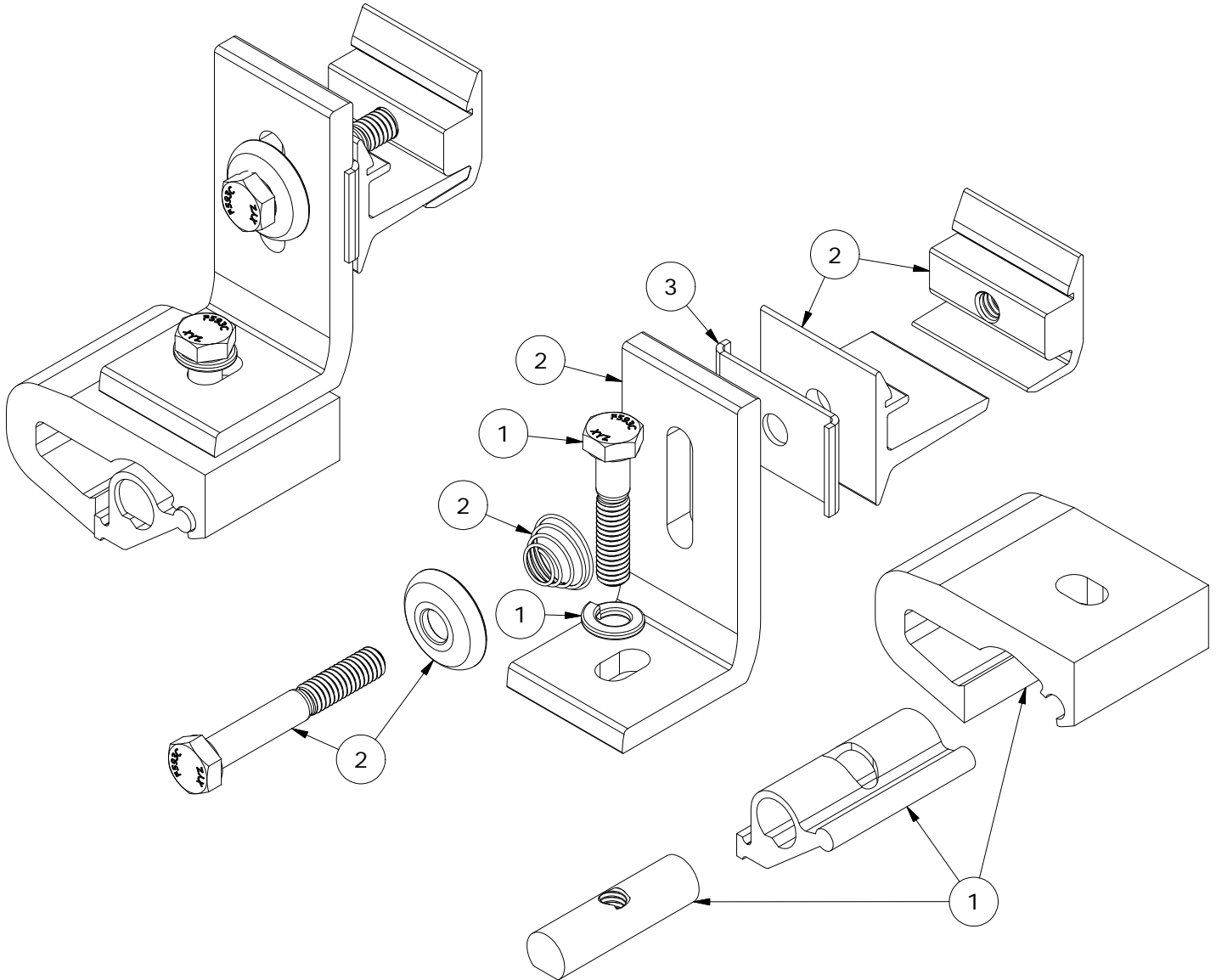
SnapNrack™
Solar Mounting Solutions

PART NUMBER(S):

242-05159

595 MARKET STREET, 29TH FLOOR • SAN FRANCISCO, CA 94105 USA
 PHONE (415) 580-6900 • FAX (415) 580-6902

THE INFORMATION IN THIS DRAWING IS CONFIDENTIAL AND PROPRIETARY. ANY REPRODUCTION, DISCLOSURE, OR USE THEREOF IS PROHIBITED WITHOUT THE WRITTEN CONSENT OF SUNRUN SOUTH LLC.



PARTS LIST

| ITEM | QTY | DESCRIPTION |
|------|-----|------------------------------------------|
| 1 | 1 | SNAPNRACK, WIDE BASE SEAM CLAMP |
| 2 | 1 | SNAPNRACK, ULTRA FOOT FOR 5/16IN, SILVER |
| 3 | 1 | SNAPNRACK, SEAM CLAMP ROTATION LOCK |

| | | |
|-----------------------|---------------------------------------|----------|
| MATERIALS: | 6000 SERIES ALUMINUM, STAINLESS STEEL | OPTIONS: |
| DESIGN LOAD (LBS): | 598 UP, 461 DOWN, 275 SIDE | |
| ULTIMATE LOAD (LBS): | 1463 UP, 652 DOWN, 602 SIDE | |
| TORQUE SPECIFICATION: | 16.7 LB-FT | |
| CERTIFICATION: | UL 2703, FILE E359313 | |
| WEIGHT (LBS): | 0.80 | |

DESCRIPTION:
SNAPRACK, ULTRA RAIL WIDE BASE SEAM CLAMP
WITH L FOOT AND LOCK

DRAWN BY:

mwatkins

REVISION:

A

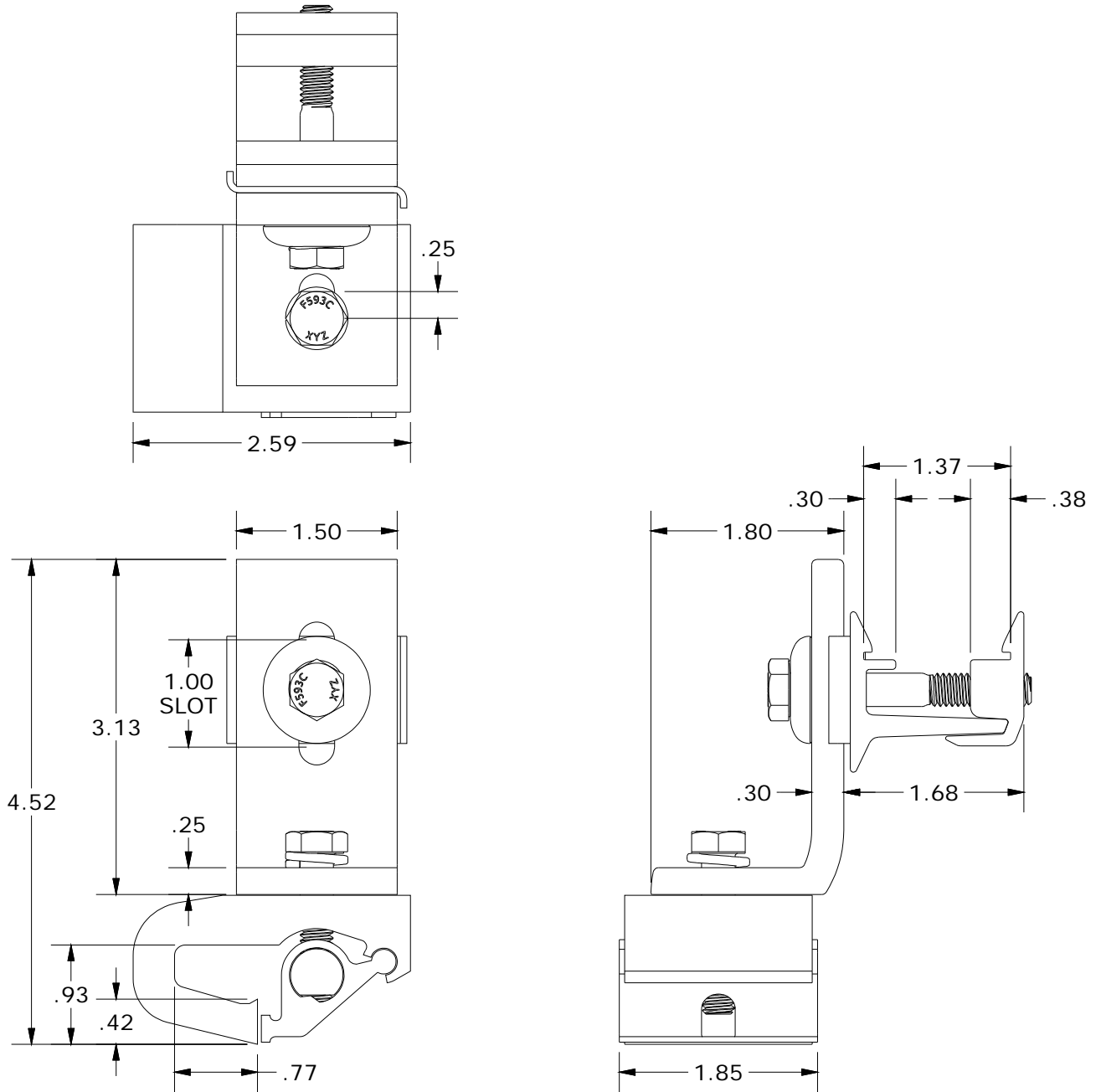
SnapNrack™
Solar Mounting Solutions

PART NUMBER(S):

242-05159

595 MARKET STREET, 29TH FLOOR • SAN FRANCISCO, CA 94105 USA
PHONE (415) 580-6900 • FAX (415) 580-6902

THE INFORMATION IN THIS DRAWING IS CONFIDENTIAL AND PROPRIETARY. ANY
REPRODUCTION, DISCLOSURE, OR USE THEREOF IS PROHIBITED WITHOUT THE
WRITTEN CONSENT OF SUNRUN SOUTH LLC.



ALL DIMENSIONS IN INCHES