

DESCRIPTION:
SNAPRACK, ULTRA RAIL WIDE BASE SEAM CLAMP WITH L FOOT AND LOCK

DRAWN BY:

mwatkins

REVISION:

B

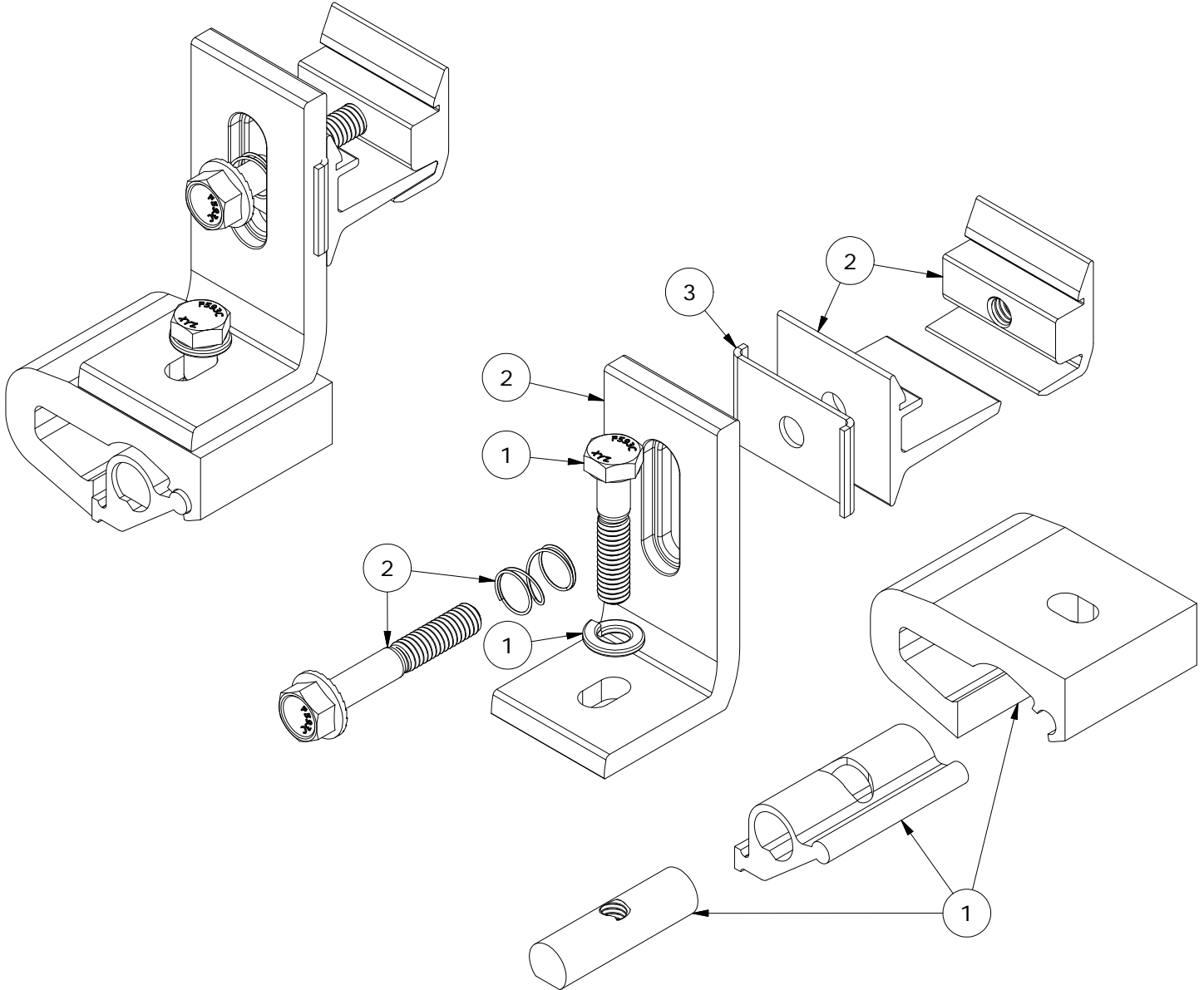
SnapNrack™
Solar Mounting Solutions

PART NUMBER(S):

242-05159

595 MARKET STREET, 29TH FLOOR • SAN FRANCISCO, CA 94105 USA
 PHONE (415) 580-6900 • FAX (415) 580-6902

THE INFORMATION IN THIS DRAWING IS CONFIDENTIAL AND PROPRIETARY. ANY REPRODUCTION, DISCLOSURE, OR USE THEREOF IS PROHIBITED WITHOUT THE WRITTEN CONSENT OF SUNRUN SOUTH LLC.



PARTS LIST

ITEM	QTY	DESCRIPTION
1	1	SNAPRACK, WIDE BASE SEAM CLAMP
2	1	SNAPRACK, ULTRA RAIL ALL PURPOSE L FOOT (90 DEG), SILVER
3	1	SNAPRACK, SEAM CLAMP ROTATION LOCK

MATERIALS:	6000 SERIES ALUMINUM, STAINLESS STEEL	OPTIONS:
DESIGN LOAD (LBS):	598 UP, 461 DOWN, 275 SIDE	
ULTIMATE LOAD (LBS):	1463 UP, 652 DOWN, 602 SIDE	
TORQUE SPECIFICATION:	15-16 LB-FT	
CERTIFICATION:	UL 2703, FILE E359313	
WEIGHT (LBS):	0.80	

DESCRIPTION:
SNAPRACK, ULTRA RAIL WIDE BASE SEAM CLAMP
WITH L FOOT AND LOCK

DRAWN BY:

mwatkins

REVISION:

B

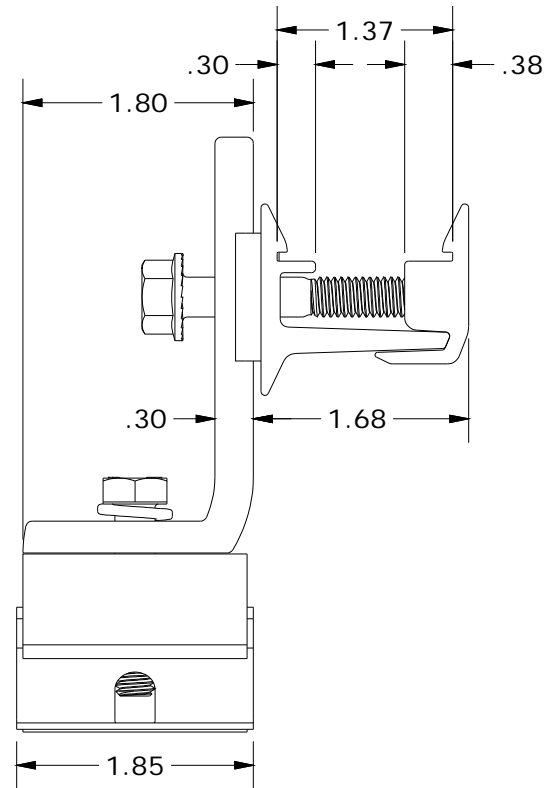
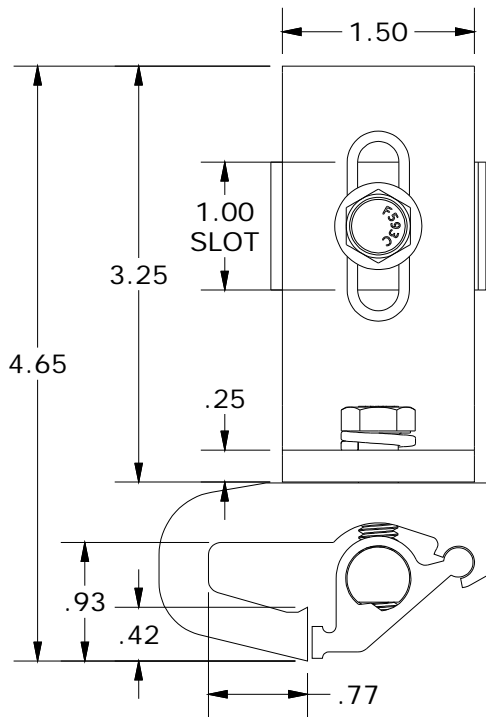
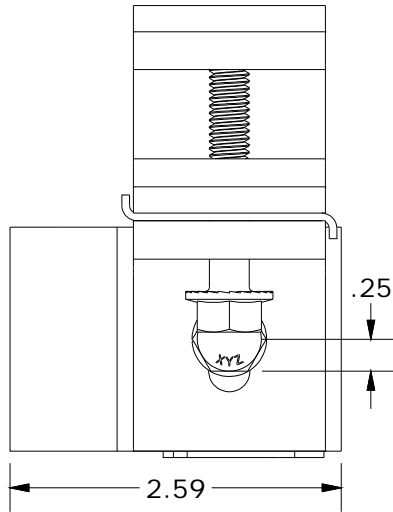
SnapNrack™
Solar Mounting Solutions

PART NUMBER(S):

242-05159

595 MARKET STREET, 29TH FLOOR • SAN FRANCISCO, CA 94105 USA
PHONE (415) 580-6900 • FAX (415) 580-6902

THE INFORMATION IN THIS DRAWING IS CONFIDENTIAL AND PROPRIETARY. ANY
REPRODUCTION, DISCLOSURE, OR USE THEREOF IS PROHIBITED WITHOUT THE
WRITTEN CONSENT OF SUNRUN SOUTH LLC.



ALL DIMENSIONS IN INCHES