

DESCRIPTION:

SNAPNRACK, UR-40 RAIL

DRAWN BY:

mwatkins

REVISION:

C

SnapNrack™
Solar Mounting Solutions

PART NUMBER(S):

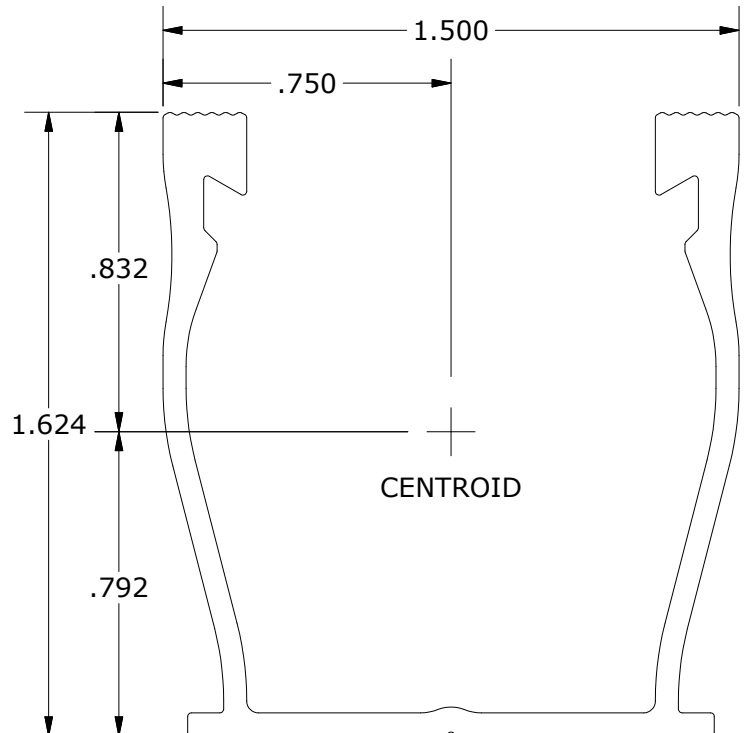
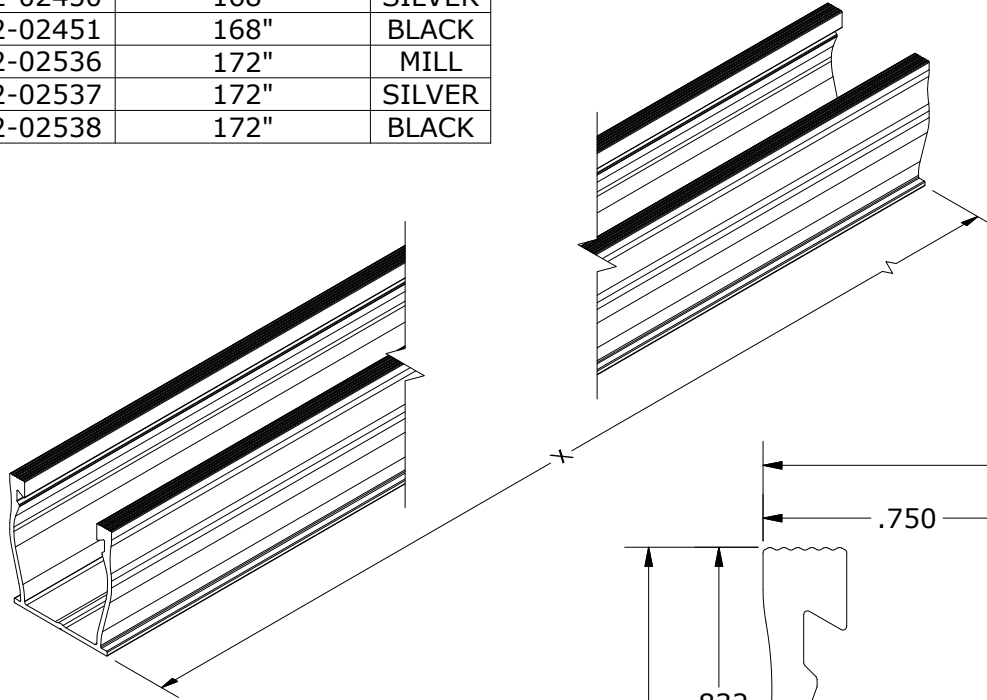
232-02449, 232-02450, 232-02451, 232-02536,
232-02537, 232-02538

595 MARKET STREET, 29TH FLOOR • SAN FRANCISCO, CA 94105 USA
PHONE (415) 580-6900 • FAX (415) 580-6902

THE INFORMATION IN THIS DRAWING IS CONFIDENTIAL AND PROPRIETARY. ANY REPRODUCTION, DISCLOSURE, OR USE THEREOF IS PROHIBITED WITHOUT THE WRITTEN CONSENT OF SUNRUN SOUTH LLC.

UR-40 RAIL PROPERTIES

SKU	RAIL LENGTH (X)	FINISH
232-02449	168"	MILL
232-02450	168"	SILVER
232-02451	168"	BLACK
232-02536	172"	MILL
232-02537	172"	SILVER
232-02538	172"	BLACK



SECTION PROPERTIES

A	0.357 in ²
I _{xx}	0.125 in ⁴
I _{yy}	0.132 in ⁴
S _x (TOP)	0.150 in ³
S _x (BOT)	0.158 in ³
S _y (LEFT)	0.175 in ³
S _y (RIGHT)	0.175 in ³

ALL DIMENSIONS IN INCHES

MATERIALS:	6000 SERIES ALUMINUM	OPTIONS:
DESIGN LOAD (LBS):	N/A	SILVER / BLACK ANODIZED
ULTIMATE LOAD (LBS):	N/A	MILL FINISH
TORQUE SPECIFICATION:	N/A LB-FT	BUNDLES OF 144
CERTIFICATION:	UL 2703, FILE E359313	BOXES OF 8
WEIGHT (LBS):	5.85 - 5.99	