

DESCRIPTION:
SNAPNRACK, TDS, GROUND RAIL

DOC NUMBER:
SNR-DC-01329

SnapNrack®

PART NUMBER(S):
232-02542

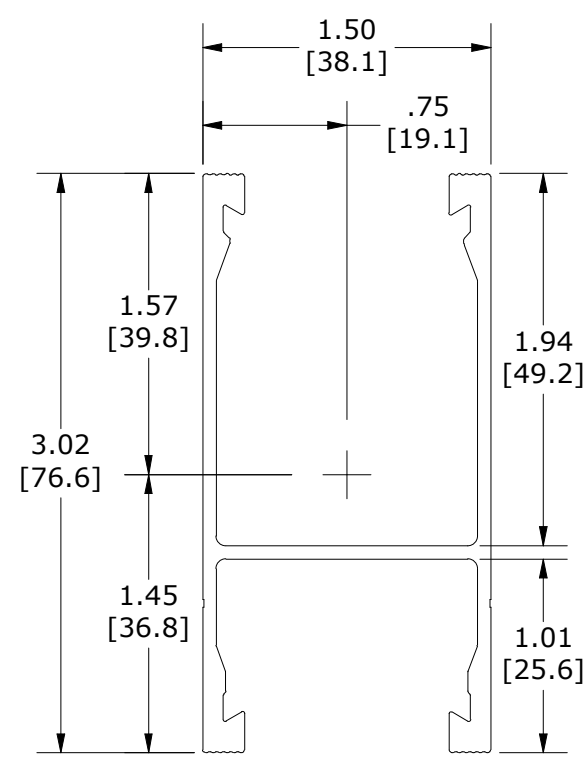
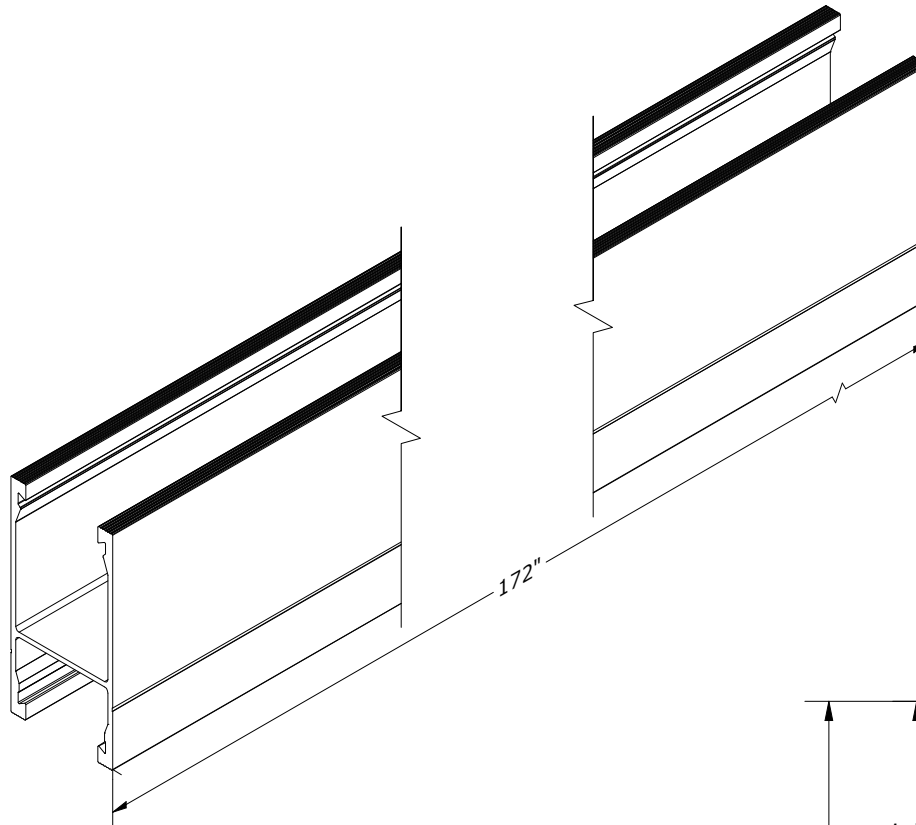
DRAWN BY:
H.WULFEKOETTER

SUNRUN INSTALLATION SERVICES INC.

REV: **D** DATE:
1/25/2023

225 BUSH STREET, SUITE 1400 • SAN FRANCISCO, CA 94104 USA
PHONE (877) 732-2860 • CONTACT@SNAPNRACK.COM
THE INFORMATION IN THIS DRAWING IS CONFIDENTIAL AND PROPRIETARY. ANY REPRODUCTION, DISCLOSURE, OR USE THEREOF IS PROHIBITED WITHOUT THE WRITTEN CONSENT OF SUNRUN SOUTH LLC.

UNITS: IN, LB, DEG [MM, KG, DEG] SHEET: 1:1



| SECTION PROPERTIES | |
|------------------------|-----------------------|
| A | 0.684 in ² |
| I _{xx} | 0.631 in ⁴ |
| I _{yy} | 0.296 in ⁴ |
| S _x (TOP) | 0.401 in ³ |
| S _x (BOT) | 0.435 in ³ |
| S _y (LEFT) | 0.394 in ³ |
| S _y (RIGHT) | 0.394 in ³ |

| | |
|-----------------------|-----------------------|
| MATERIALS: | 6000 SERIES ALUMINUM |
| DESIGN LOAD (LBS): | N/A |
| ULTIMATE LOAD (LBS): | N/A |
| TORQUE SPECIFICATION: | N/A FT-LBS |
| CERTIFICATION: | UL 2703, FILE E359313 |
| WEIGHT (LBS): | 11.52 |