

DESCRIPTION:
SNAPNRACK, TDS, FLAT TILE HOOK

PART NUMBER(S):
242-02045

UNITS: IN, LB, DEG [MM, KG, DEG] SHEET: 1:2

DOC NUMBER:
SNR-DC-01335

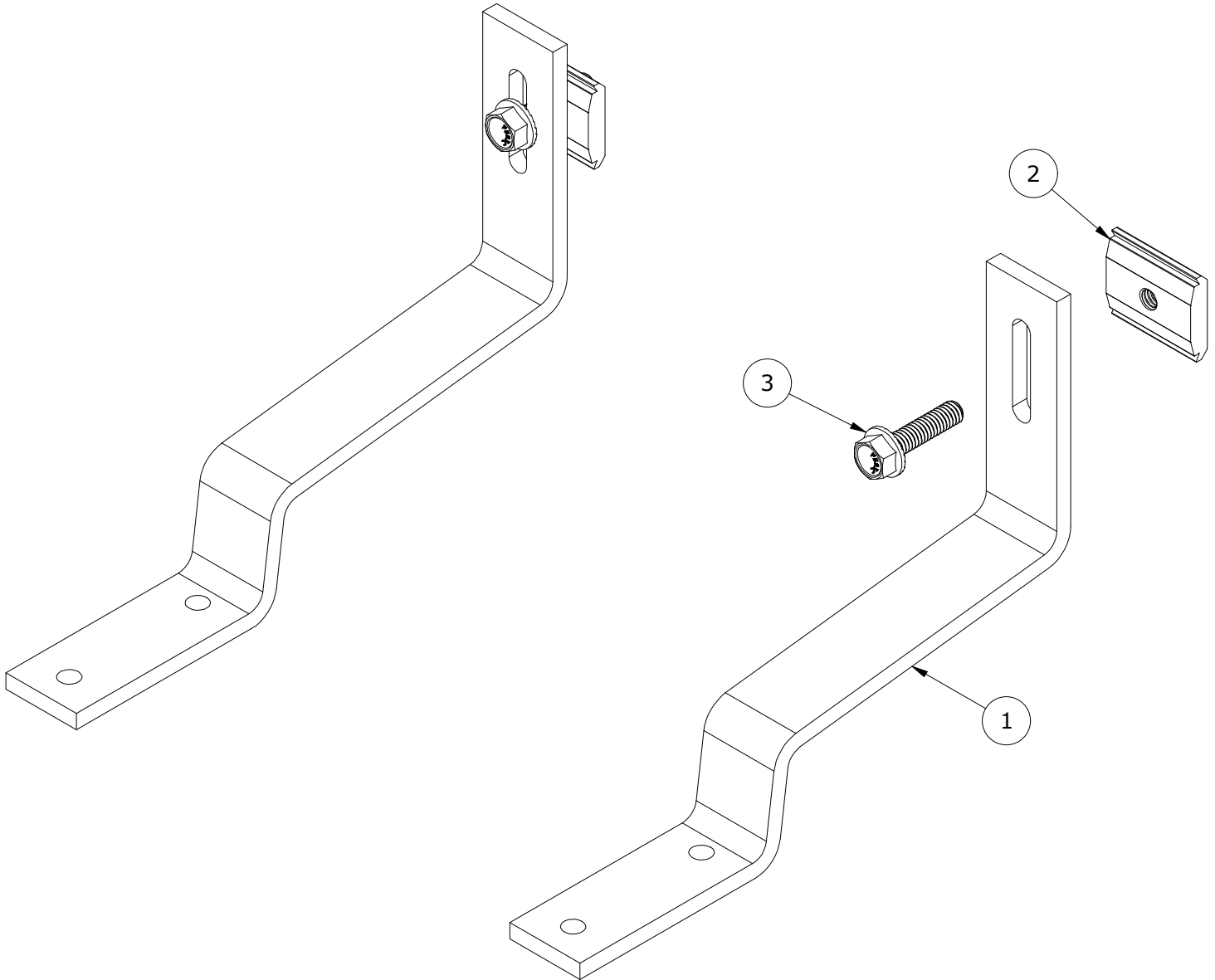
DRAWN BY:
HWULFEKOETTER

REV: **B** DATE:
1/19/2023

SnapNrack®

SUNRUN INSTALLATION SERVICES INC.
 225 BUSH STREET, SUITE 1400 • SAN FRANCISCO, CA 94104 USA
 PHONE (877) 732-2860 • CONTACT@SNAPNRACK.COM

THE INFORMATION IN THIS DRAWING IS CONFIDENTIAL AND PROPRIETARY. ANY REPRODUCTION, DISCLOSURE, OR USE THEREOF IS PROHIBITED WITHOUT THE WRITTEN CONSENT OF SUNRUN SOUTH LLC.



PARTS LIST		
ITEM	QTY	DESCRIPTION
1	1	SNAPNRACK, FLAT TILE HOOK PRC, SS
2	1	SNAPNRACK CHANNEL NUT 5/16IN-18
3	1	BOLT, FLANGED HEX, 5/16IN-18 X 1-1/4IN, SS

MATERIALS:	6000 SERIES ALUMINUM, STAINLESS STEEL
DESIGN LOAD (LBS):	318 UP, 394 DOWN, 417 SIDE
ULTIMATE LOAD (LBS):	796 UP, 591 DOWN, 1500 SIDE
TORQUE SPECIFICATION:	12 FT-LBS
CERTIFICATION:	UL 2703, FILE E359313
WEIGHT (LBS):	1.29

DESCRIPTION:
SNAPNRACK, TDS, FLAT TILE HOOK

DOC NUMBER:
SNR-DC-01335

SnapNrack®

PART NUMBER(S):
242-02045

DRAWN BY:
HWULFEKOETTER

REV: **B** DATE:
1/19/2023

SUNRUN INSTALLATION SERVICES INC.
225 BUSH STREET, SUITE 1400 • SAN FRANCISCO, CA 94104 USA
PHONE (877) 732-2860 • CONTACT@SNAPNRACK.COM
THE INFORMATION IN THIS DRAWING IS CONFIDENTIAL AND PROPRIETARY. ANY REPRODUCTION, DISCLOSURE, OR USE THEREOF IS PROHIBITED WITHOUT THE WRITTEN CONSENT OF SUNRUN SOUTH LLC.

UNITS: IN, LB, DEG [MM, KG, DEG]

SHEET: 2:2

