

DESCRIPTION:  
**SNAPNRACK, TDS, ULTRA RAIL MOUNTING  
 HARDWARE**

DOC NUMBER:  
 SNR-DC-01339

**SnapNrack®**

PART NUMBER(S):  
 242-01229, 242-01230

DRAWN BY:  
 H.WULFEKOETTER

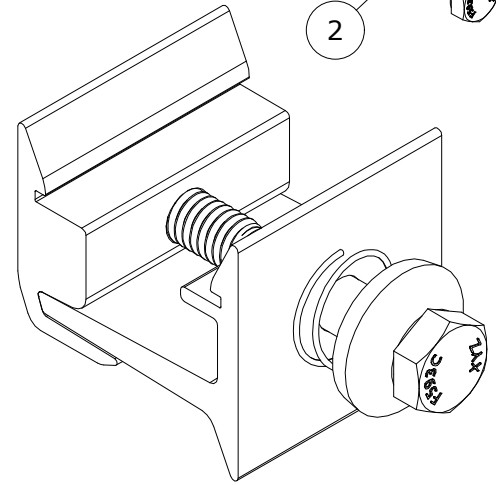
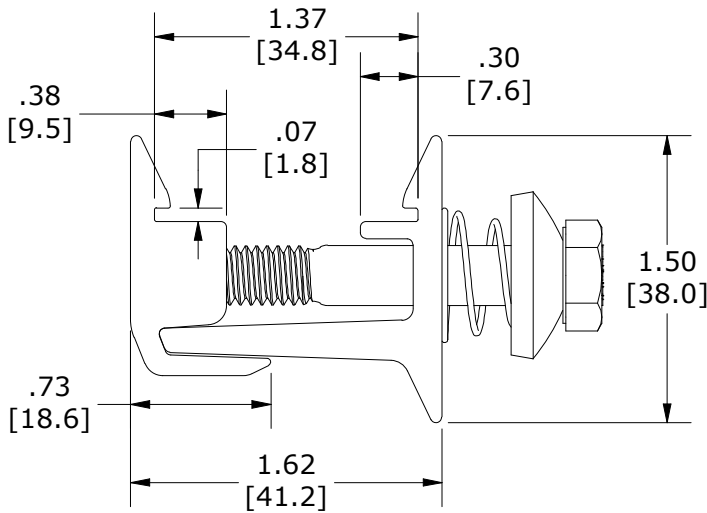
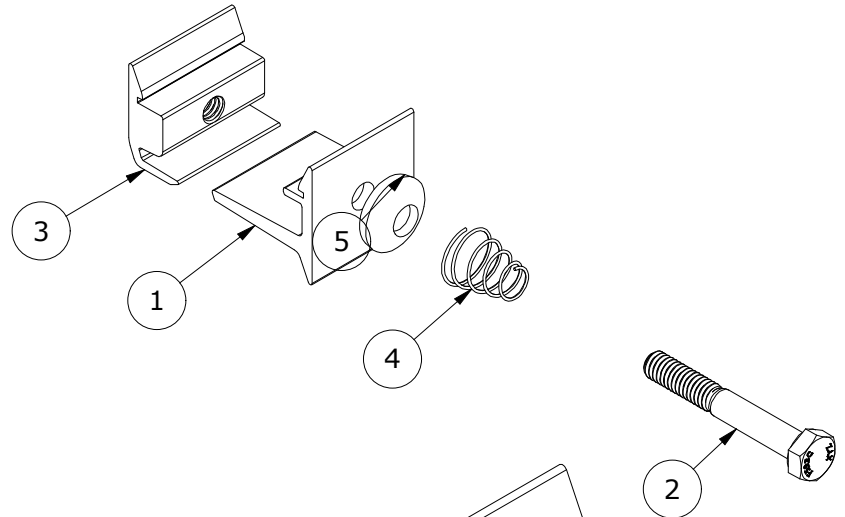
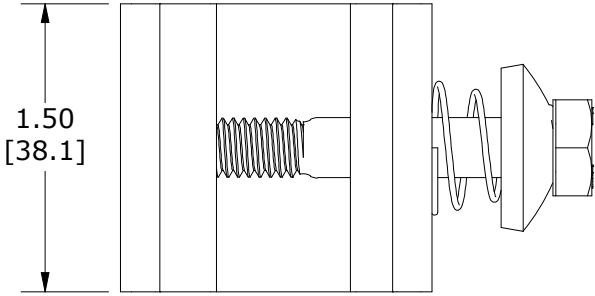
SUNRUN INSTALLATION SERVICES INC.

REV: **C**      DATE:  
 1/19/2023

225 BUSH STREET, SUITE 1400 • SAN FRANCISCO, CA 94104 USA  
 PHONE (877) 732-2860 • CONTACT@SNAPNRACK.COM  
 THE INFORMATION IN THIS DRAWING IS CONFIDENTIAL AND PROPRIETARY. ANY  
 REPRODUCTION, DISCLOSURE, OR USE THEREOF IS PROHIBITED WITHOUT THE  
 WRITTEN CONSENT OF SUNRUN SOUTH LLC.

UNITS: IN, LB, DEG [MM, KG, DEG]      SHEET: 1:1

SKU	COLOR
242-01229	SILVER
242-01230	BLACK



PARTS LIST		
ITEM	QTY	DESCRIPTION
1	1	SNAPNRACK, ULTRA RAIL MOUNT THRU PRC, SILVER / BLACK
2	1	5/16IN-18 X 2-1/4IN SS HCS BOLT
3	1	SNAPNRACK, ULTRA RAIL MOUNT TAPPED PRC, SILVER / BLACK
4	1	SNAPNRACK, ULTRA RAIL MOUNT SPRING, SS
5	1	SNAPNRACK, ULTRA RAIL MOUNT SPRING CAGE

MATERIALS: 6000 SERIES ALUMINUM, STAINLESS STEEL

DESIGN LOAD (LBS): N/A

ULTIMATE LOAD (LBS): N/A

TORQUE SPECIFICATION: 12 FT-LBS

CERTIFICATION: UL 2703, FILE E359313

WEIGHT (LBS): 0.19