

DESCRIPTION:  
**SNAPRACK, TDS, ULTRA RAIL METAL ROOF  
 BASE**

DOC NUMBER:  
 SNR-DC-01340

**SnapNrack®**

PART NUMBER(S):  
 242-02158

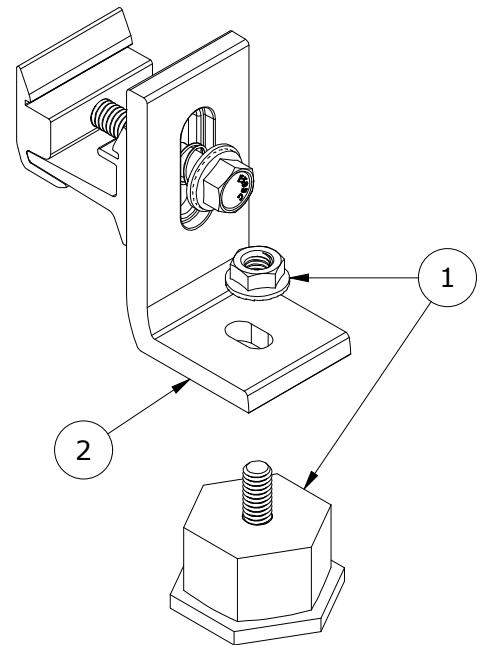
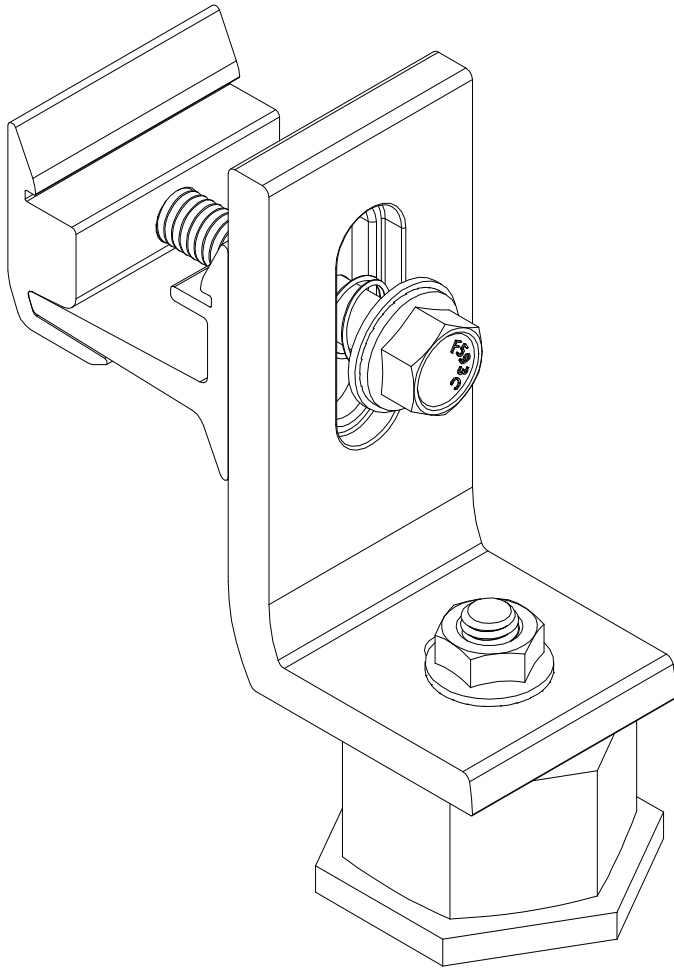
DRAWN BY:  
 H.WULFEKOETTER

SUNRUN INSTALLATION SERVICES INC.

REV: **C**      DATE:  
 1/19/2023

225 BUSH STREET, SUITE 1400 • SAN FRANCISCO, CA 94104 USA  
 PHONE (877) 732-2860 • CONTACT@SNAPNRACK.COM  
THE INFORMATION IN THIS DRAWING IS CONFIDENTIAL AND PROPRIETARY. ANY  
 REPRODUCTION, DISCLOSURE, OR USE THEREOF IS PROHIBITED WITHOUT THE  
 WRITTEN CONSENT OF SUNRUN SOUTH LLC.

UNITS: IN, LB, DEG [MM, KG, DEG]      SHEET: 1:2



**PARTS LIST**

ITEM	QTY	DESCRIPTION
1	1	SNAPNRACK, METAL ROOF BASE
2	1	SNAPNRACK, ULTRA RAIL ALL PURPOSE L FOOT (90 DEG), SILVER

MATERIALS:	6000 SERIES ALUMINUM, STAINLESS STEEL
DESIGN LOAD (LBS):	405 UP, 788 DOWN, 213 SIDE
ULTIMATE LOAD (LBS):	1098 UP, 3364 DOWN, 1340 SIDE
TORQUE SPECIFICATION:	12 FT-LBS
CERTIFICATION:	UL 2703, FILE E359313
WEIGHT (LBS):	0.53

DESCRIPTION:  
SNAPNRACK, TDS, ULTRA RAIL METAL ROOF  
BASE

DOC NUMBER:  
SNR-DC-01340

SnapNrack®

PART NUMBER(S):

242-02158

DRAWN BY:  
H.WULFEKOETTER

REV: **C**      DATE:  
1/19/2023

SUNRUN INSTALLATION SERVICES INC.

225 BUSH STREET, SUITE 1400 • SAN FRANCISCO, CA 94104 USA  
PHONE (877) 732-2860 • CONTACT@SNAPNRACK.COM

THE INFORMATION IN THIS DRAWING IS CONFIDENTIAL AND PROPRIETARY. ANY  
REPRODUCTION, DISCLOSURE, OR USE THEREOF IS PROHIBITED WITHOUT THE  
WRITTEN CONSENT OF SUNRUN SOUTH LLC.

UNITS: IN, LB, DEG [MM, KG, DEG]

SHEET: 2:2

