

DESCRIPTION:  
**ULTRA RAIL STANDARD BASE SEAM CLAMP  
 WITH L FOOT AND LOCK**

DOC NUMBER:  
 SNR-DC-01359

SnapNrack®

PART NUMBER(S):

242-05158

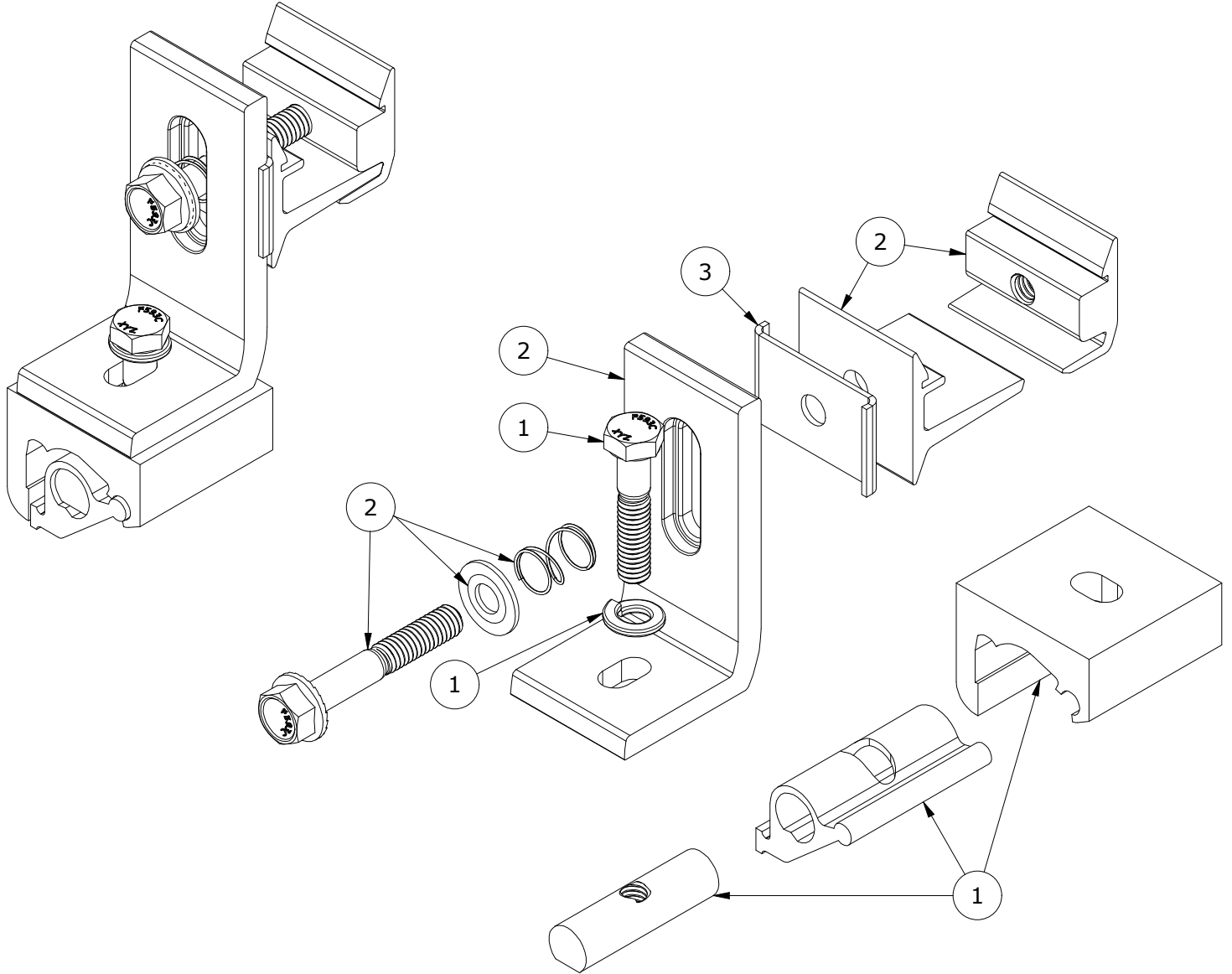
DRAWN BY:  
 H.WULFEKOETTER

REV: **C**      DATE:  
 1/23/2023

SUNRUN INSTALLATION SERVICES INC.  
 225 BUSH STREET, SUITE 1400 • SAN FRANCISCO, CA 94104 USA  
 PHONE (877) 732-2860 • CONTACT@SNAPNRACK.COM  
THE INFORMATION IN THIS DRAWING IS CONFIDENTIAL AND PROPRIETARY. ANY REPRODUCTION, DISCLOSURE, OR USE THEREOF IS PROHIBITED WITHOUT THE WRITTEN CONSENT OF SUNRUN SOUTH LLC.

UNITS: IN, LB, DEG [MM, KG, DEG]

SHEET: 1:2



**PARTS LIST**

ITEM	QTY	DESCRIPTION
1	1	SNAPNRACK, STANDARD BASE SEAM CLAMP
2	1	SNAPNRACK, ULTRA RAIL ALL PURPOSE L FOOT (90 DEG), SILVER
3	1	SNAPNRACK, SEAM CLAMP ROTATION LOCK

MATERIALS: 6000 SERIES ALUMINUM, STAINLESS STEEL

DESIGN LOAD (LBS): 598 UP, 461 DOWN, 275 SIDE

ULTIMATE LOAD (LBS): 1463 UP, 652 DOWN, 602 SIDE

TORQUE SPECIFICATION: 15-16 FT-LBS

CERTIFICATION: UL 2703, FILE E359313

WEIGHT (LBS): 0.70

DESCRIPTION:  
**ULTRA RAIL STANDARD BASE SEAM CLAMP  
 WITH L FOOT AND LOCK**

DOC NUMBER:  
 SNR-DC-01359

SnapNrack®

PART NUMBER(S):

242-05158

DRAWN BY:  
 H.WULFEKOETTER

REV: **C**      DATE:  
 1/23/2023

SUNRUN INSTALLATION SERVICES INC.

225 BUSH STREET, SUITE 1400 • SAN FRANCISCO, CA 94104 USA  
 PHONE (877) 732-2860 • CONTACT@SNAPNRACK.COM

THE INFORMATION IN THIS DRAWING IS CONFIDENTIAL AND PROPRIETARY. ANY  
 REPRODUCTION, DISCLOSURE, OR USE THEREOF IS PROHIBITED WITHOUT THE  
 WRITTEN CONSENT OF SUNRUN SOUTH LLC.

UNITS: IN, LB, DEG [MM, KG, DEG]

SHEET: 2:2

