

DESCRIPTION:
**SNAPRACK, TDS, ARRAY EDGE SCREEN
 FASTENER**

DOC NUMBER:
 SNR-DC-01366

SnapNrack®

PART NUMBER(S):

242-04105

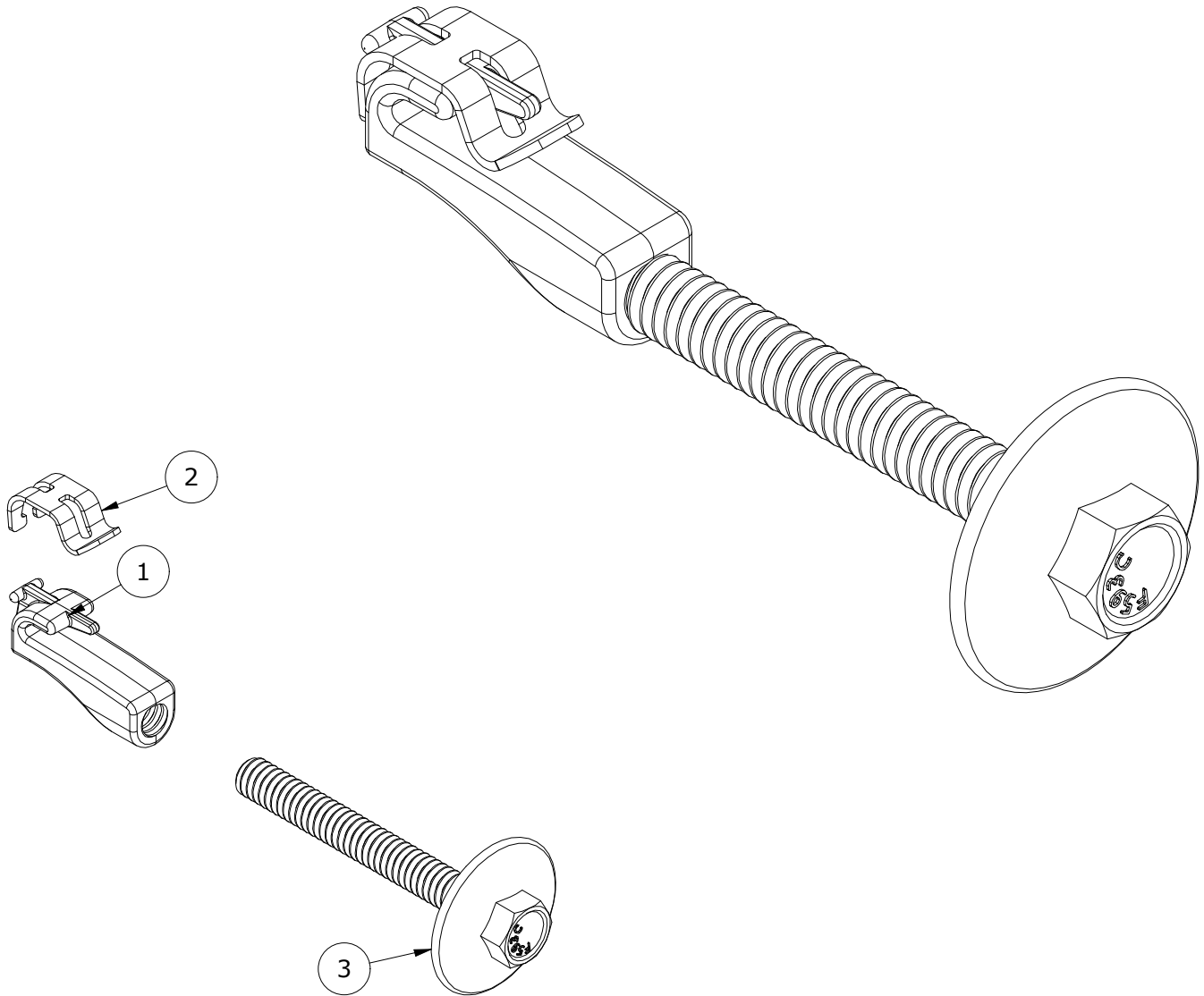
DRAWN BY:
 H.WULFEKOETTER

REV: **B** DATE:
 1/23/2023

SUNRUN INSTALLATION SERVICES INC.
 225 BUSH STREET, SUITE 1400 • SAN FRANCISCO, CA 94104 USA
 PHONE (877) 732-2860 • CONTACT@SNAPNRACK.COM
THE INFORMATION IN THIS DRAWING IS CONFIDENTIAL AND PROPRIETARY. ANY
 REPRODUCTION, DISCLOSURE, OR USE THEREOF IS PROHIBITED WITHOUT THE
 WRITTEN CONSENT OF SUNRUN SOUTH LLC.

UNITS: IN, LB, DEG [MM, KG, DEG]

SHEET: 1:2



PARTS LIST		
ITEM	QTY	DESCRIPTION
1	1	SNAPRACK, ARRAY EDGE SCREEN FASTENER, FRAME NUT
2	1	SNAPRACK, ARRAY EDGE SCREEN FASTENER, RETAINER CLIP
3	1	SNAPRACK, ARRAY EDGE SCREEN FASTENER, WIDE FLANGE BOLT

MATERIALS:	DIE CAST ZINC, STAINLESS STEEL
DESIGN LOAD (LBS):	N/A
ULTIMATE LOAD (LBS):	N/A
TORQUE SPECIFICATION:	6 FT-LBS
CERTIFICATION:	N/A
WEIGHT (LBS):	0.06

DESCRIPTION:
SNAPNRACK, TDS, ARRAY EDGE SCREEN
FASTENER

DOC NUMBER:
SNR-DC-01366

SnapNrack®

PART NUMBER(S):

242-04105

DRAWN BY:
H.WULFEKOETTER

REV: **B** DATE:
1/23/2023

SUNRUN INSTALLATION SERVICES INC.

225 BUSH STREET, SUITE 1400 • SAN FRANCISCO, CA 94104 USA
PHONE (877) 732-2860 • CONTACT@SNAPNRACK.COM

THE INFORMATION IN THIS DRAWING IS CONFIDENTIAL AND PROPRIETARY. ANY
REPRODUCTION, DISCLOSURE, OR USE THEREOF IS PROHIBITED WITHOUT THE
WRITTEN CONSENT OF SUNRUN SOUTH LLC.

UNITS: IN, LB, DEG [MM, KG, DEG]

SHEET: 2:2

NOTE:
MAXIMUM FLANGE THICKNESS = 2.5MM

