

DESCRIPTION:
SNR-DC-01386 - SNAPNRACK, TDS, WIRE SAVER

DOC NUMBER:
 SNR-DC-01386

SnapNrack®

PART NUMBER(S):

242-92262

DRAWN BY:
 H.WULFEKOETTER

REV: **B** DATE:
 1/24/2023

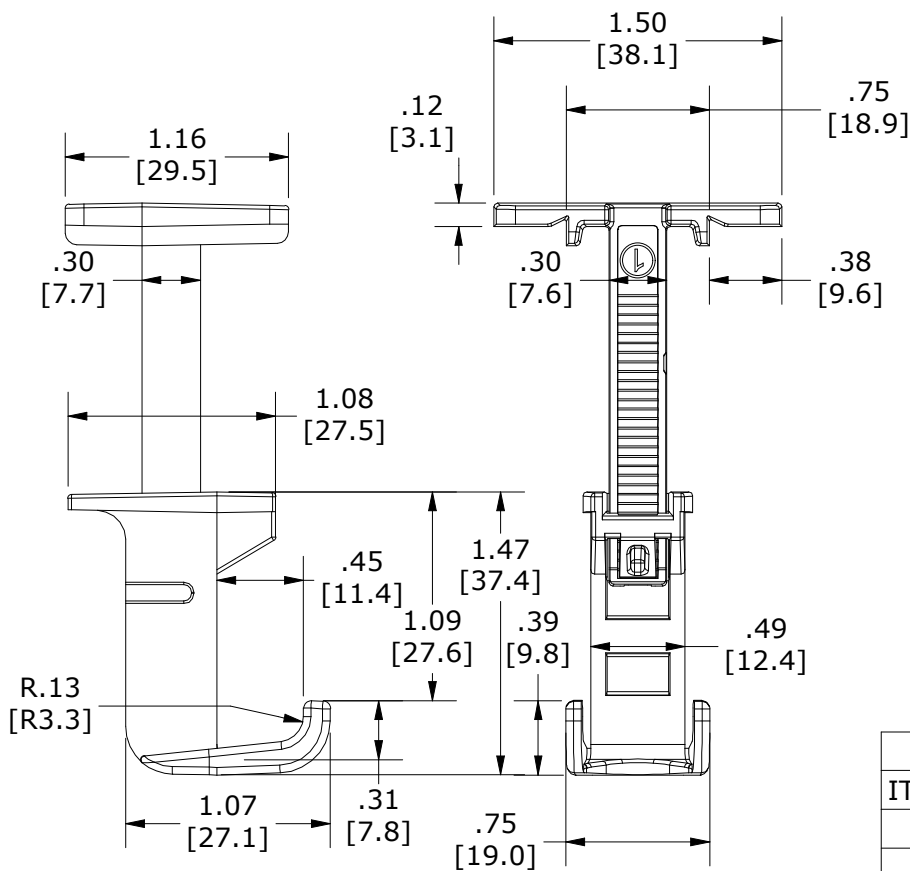
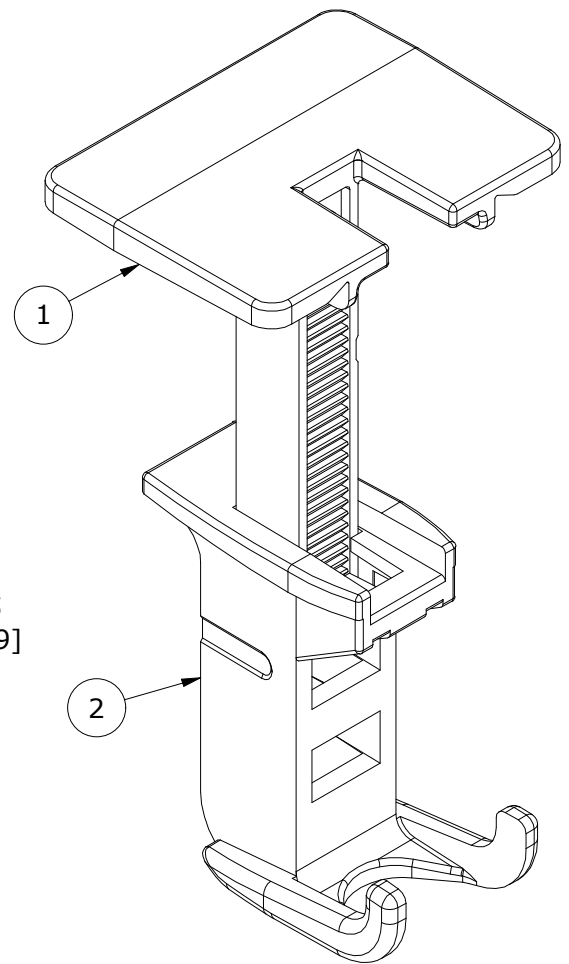
SUNRUN INSTALLATION SERVICES INC.

225 BUSH STREET, SUITE 1400 • SAN FRANCISCO, CA 94104 USA
 PHONE (877) 732-2860 • CONTACT@SNAPNRACK.COM

THE INFORMATION IN THIS DRAWING IS CONFIDENTIAL AND PROPRIETARY. ANY REPRODUCTION, DISCLOSURE, OR USE THEREOF IS PROHIBITED WITHOUT THE WRITTEN CONSENT OF SUNRUN SOUTH LLC.

UNITS: IN, LB, DEG [MM, KG, DEG]

SHEET: 1:1



PARTS LIST		
ITEM	QTY	DESCRIPTION
1	1	SNAPNRACK, WIRE SAVER TOP
2	1	SNAPNRACK, WIRE SAVER BOTTOM

MATERIALS: POLYCARBONATE

DESIGN LOAD (LBS): N/A

ULTIMATE LOAD (LBS): N/A

TORQUE SPECIFICATION: N/A FT-LBS

CERTIFICATION:

WEIGHT (LBS): 0.02