

DESCRIPTION:
**SNAPNRACK, TDS, CONDUIT SUPPORT TILE
 HOOK**

DOC NUMBER:
 SNR-DC-01389

SnapNrack®

PART NUMBER(S):

242-02104

DRAWN BY:
 E.Figurski

REV:

B

DATE:

1/24/2023

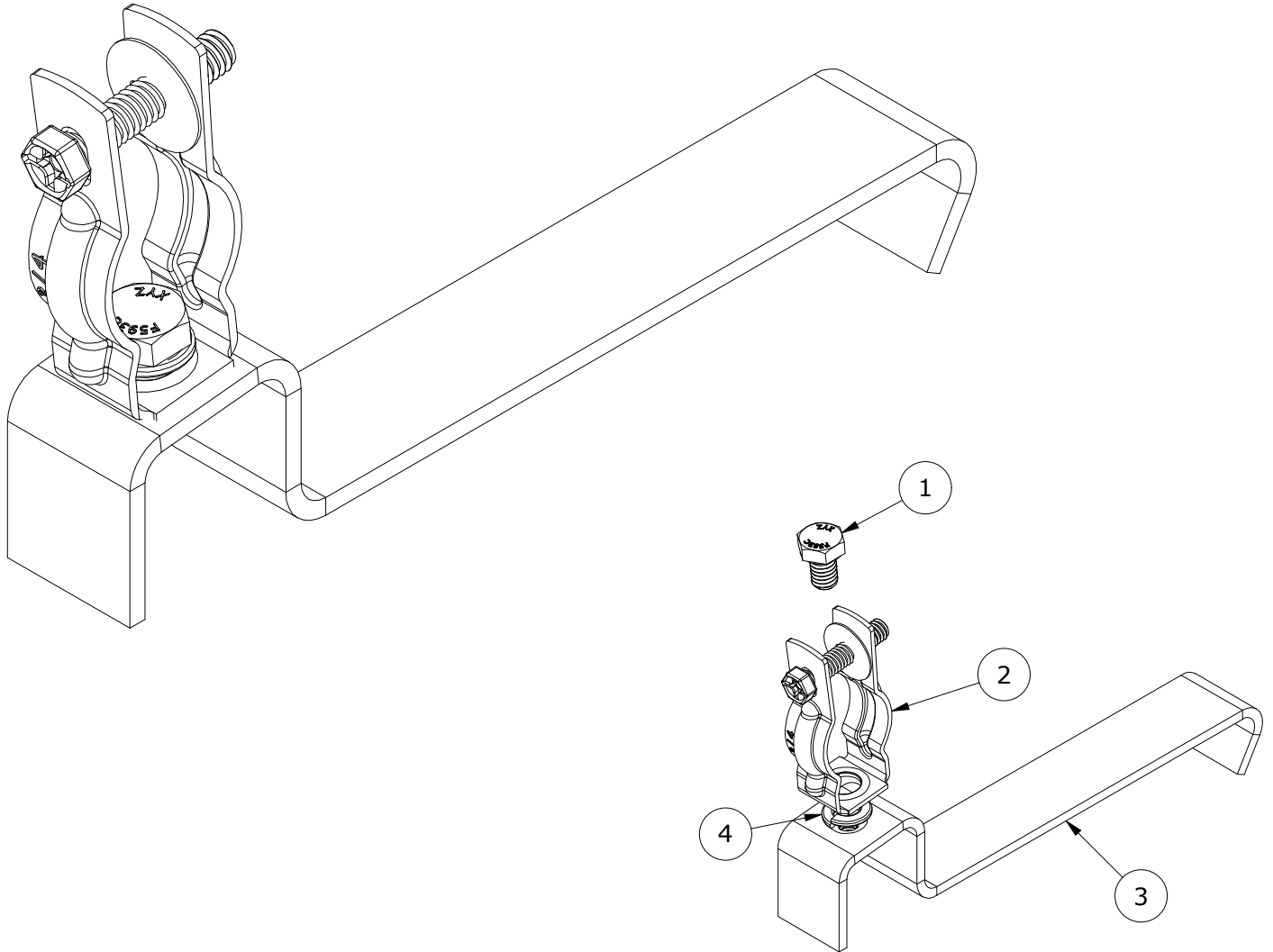
SUNRUN INSTALLATION SERVICES INC.

225 BUSH STREET, SUITE 1400 • SAN FRANCISCO, CA 94104 USA
 PHONE (877) 732-2860 • CONTACT@SNAPNRACK.COM

THE INFORMATION IN THIS DRAWING IS CONFIDENTIAL AND PROPRIETARY. ANY
 REPRODUCTION, DISCLOSURE, OR USE THEREOF IS PROHIBITED WITHOUT THE
 WRITTEN CONSENT OF SUNRUN SOUTH LLC.

UNITS: IN, LB, DEG [MM, KG, DEG]

SHEET: 1:2



PARTS LIST

ITEM	QTY	DESCRIPTION
1	1	BOLT, HEX CAP, 5/16IN-18 X 1/2IN, SS
2	1	CONDUIT SUPPORT, 3/4IN RIGID-EMT, 3/8IN HOLE, HANGER-BOLT-NUTLESS, ZINC PLATED STEEL
3	1	SNAPNRACK, CONDUIT TILE HOOK PRC
4	1	WASHER, LOCK, 5/16IN, SPLIT, SS

MATERIALS: 6000 SERIES ALUMINUM, STAINLESS STEEL, ZINC PLATED STEEL

DESIGN LOAD (LBS): N/A

ULTIMATE LOAD (LBS): N/A

TORQUE SPECIFICATION: N/A FT-LBS

CERTIFICATION: N/A

WEIGHT (LBS): 0.20

DESCRIPTION:
SNAPRACK, TDS, CONDUIT SUPPORT TILE
HOOK

DOC NUMBER:
SNR-DC-01389

SnapNrack®

PART NUMBER(S):

242-02104

DRAWN BY:
E.Figurski

REV:

B

DATE:

1/24/2023

SUNRUN INSTALLATION SERVICES INC.

225 BUSH STREET, SUITE 1400 • SAN FRANCISCO, CA 94104 USA
PHONE (877) 732-2860 • CONTACT@SNAPNRACK.COM

THE INFORMATION IN THIS DRAWING IS CONFIDENTIAL AND PROPRIETARY. ANY
REPRODUCTION, DISCLOSURE, OR USE THEREOF IS PROHIBITED WITHOUT THE
WRITTEN CONSENT OF SUNRUN SOUTH LLC.

UNITS: IN, LB, DEG [MM, KG, DEG]

SHEET: 2:2

