

DESCRIPTION:
SNR-DC-01394 SNAPRACK, TDS, GROUND LUG

PART NUMBER(S):
242-02101

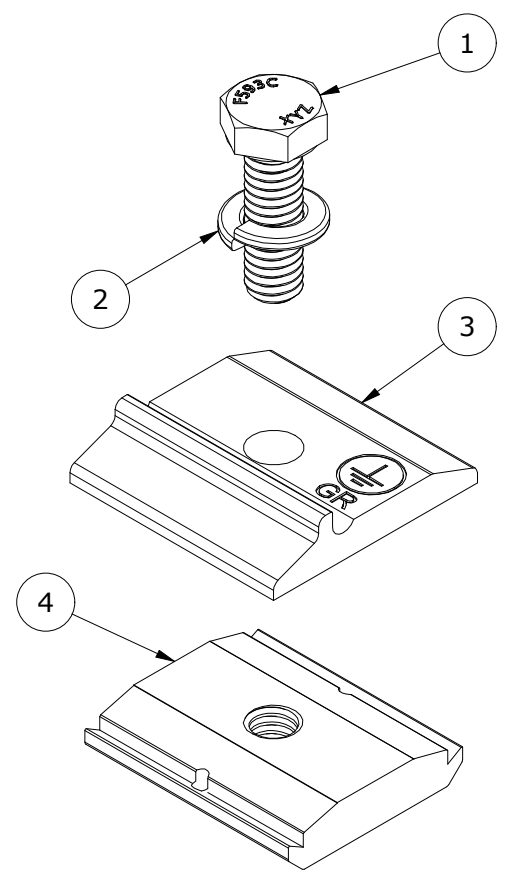
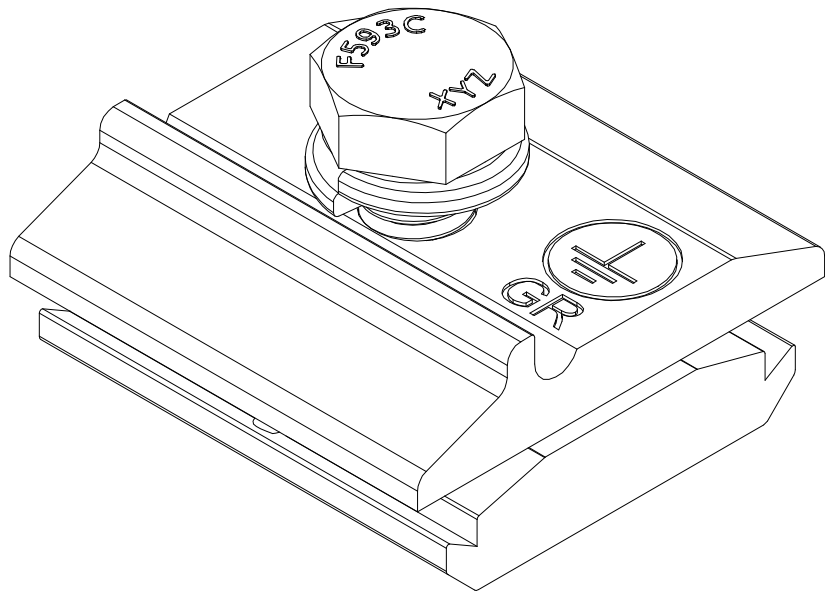
DRAWN BY:
 D.Ryan

REVISION:
A

SnapNrack™
Solar Mounting Solutions

595 MARKET STREET, 29TH FLOOR • SAN FRANCISCO, CA 94105 USA
 PHONE (415) 580-6900 • FAX (415) 580-6902

THE INFORMATION IN THIS DRAWING IS CONFIDENTIAL AND PROPRIETARY. ANY REPRODUCTION, DISCLOSURE, OR USE THEREOF IS PROHIBITED WITHOUT THE WRITTEN CONSENT OF SUNRUN SOUTH LLC.



PARTS LIST		
ITEM	QTY	DESCRIPTION
1	1	5-16IN-18 X 1IN SS HCS BOLT
4	1	SNAPRACK, BONDING CHANNEL NUT
3	1	SNAPRACK, GROUND LUG R PRC
2	1	WASHER, LOCK, 5-16IN, SPLIT, SS

MATERIALS:	TIN-PLATED ALUMINUM, STAINLESS STEEL	OPTIONS:
DESIGN LOAD (LBS):	N/A	
ULTIMATE LOAD (LBS):	N/A	
TORQUE SPECIFICATION:	16 LB-FT	
CERTIFICATION:	UL 467 & UL 2703, FILE E359313	
WEIGHT (LBS):	0.13	

DESCRIPTION:
SNR-DC-01394 SNAPRACK, TDS, GROUND LUG

PART NUMBER(S):
242-02101

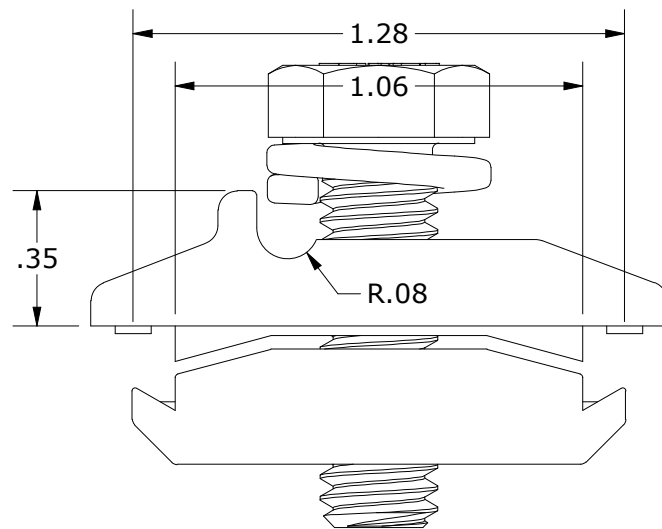
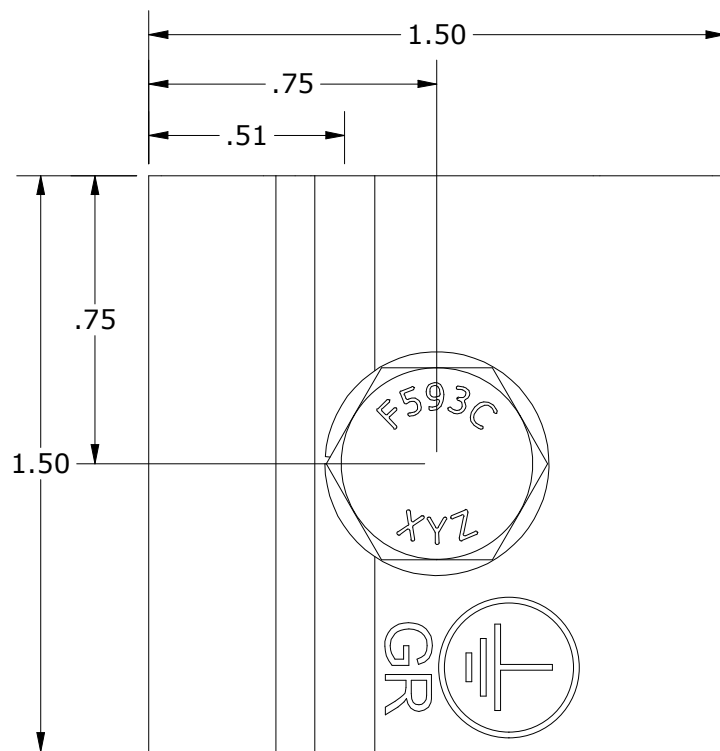
DRAWN BY:
D.Ryan

REVISION:
A

SnapNrack™
Solar Mounting Solutions

595 MARKET STREET, 29TH FLOOR • SAN FRANCISCO, CA 94105 USA
PHONE (415) 580-6900 • FAX (415) 580-6902

THE INFORMATION IN THIS DRAWING IS CONFIDENTIAL AND PROPRIETARY. ANY REPRODUCTION, DISCLOSURE, OR USE THEREOF IS PROHIBITED WITHOUT THE WRITTEN CONSENT OF SUNRUN SOUTH LLC.



ALL DIMENSIONS IN INCHES