

DESCRIPTION:
**SNR-DC-01396 SNAPRACK, TDS, ARRAY SKIRT
 FRAME MOUNT**

PART NUMBER(S):
242-92211

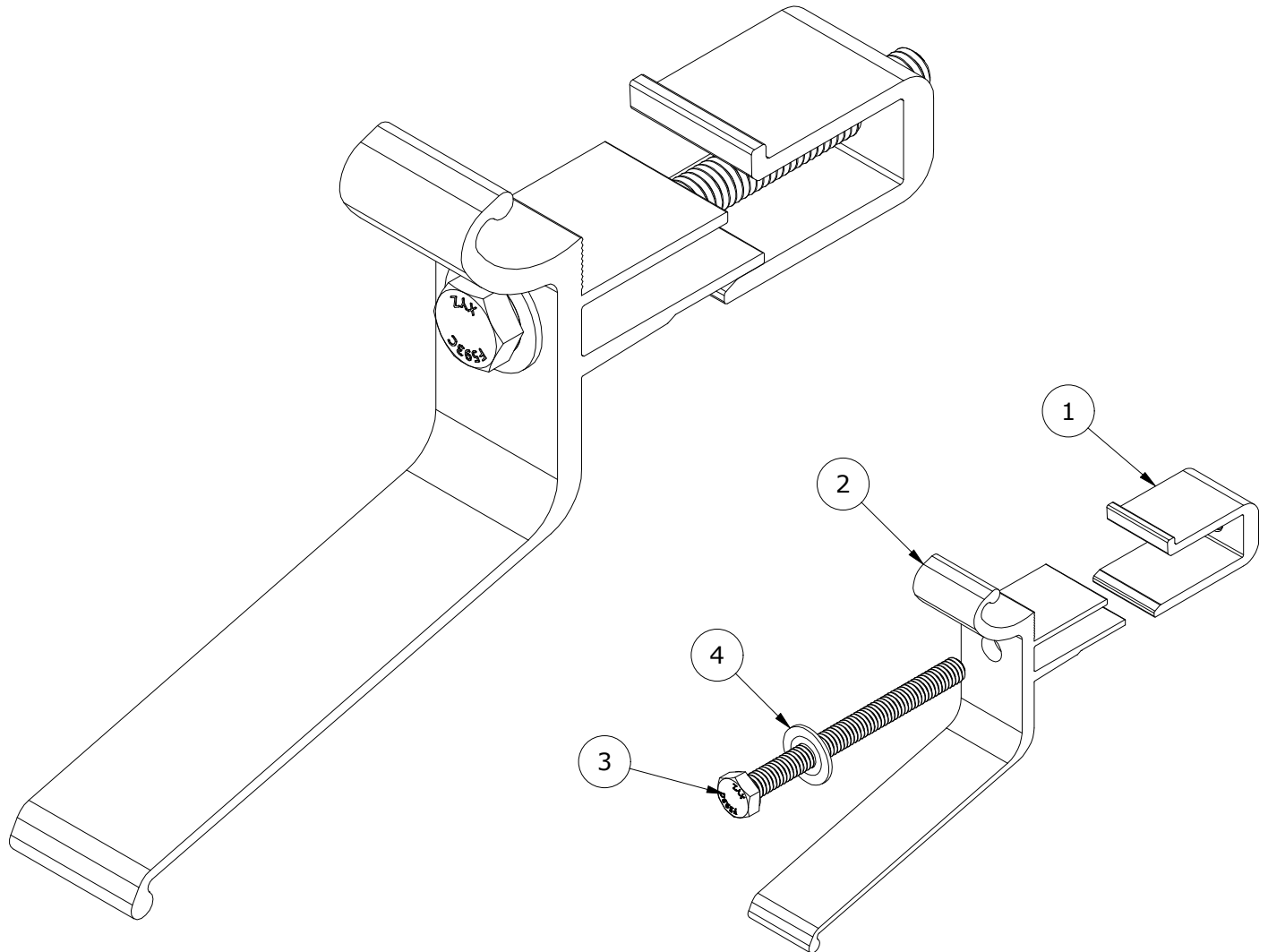
DRAWN BY:
 D. Ryan

REVISION:
A

SnapNrack™
Solar Mounting Solutions

595 MARKET STREET, 29TH FLOOR • SAN FRANCISCO, CA 94105 USA
 PHONE (415) 580-6900 • FAX (415) 580-6902

THE INFORMATION IN THIS DRAWING IS CONFIDENTIAL AND PROPRIETARY. ANY REPRODUCTION, DISCLOSURE, OR USE THEREOF IS PROHIBITED WITHOUT THE WRITTEN CONSENT OF SUNRUN SOUTH LLC.



PARTS LIST		
ITEM	QTY	DESCRIPTION
1	1	SNAPNRACK, SKIRT FRAME MOUNT CLAMP
2	1	SNAPNRACK, SKIRT FRAME MOUNT PRC
3	1	BOLT, HEX CAP, 5/16IN-18 X 3-1/2IN, FULLY THREADED, SS
4	1	5/16IN X 3/4IN SS FLAT WASHER

MATERIALS:	6000 SERIES ALUMINUM, STAINLESS STEEL	OPTIONS:
DESIGN LOAD (LBS):	N/A	
ULTIMATE LOAD (LBS):	N/A	
TORQUE SPECIFICATION:	5-6 LB-FT	
CERTIFICATION:	UL 2703, FILE E359313	
WEIGHT (LBS):	0.24	

DESCRIPTION:

SNR-DC-01396 SNAPNRACK, TDS, ARRAY SKIRT
FRAME MOUNT

DRAWN BY:

D. Ryan

REVISION:

A

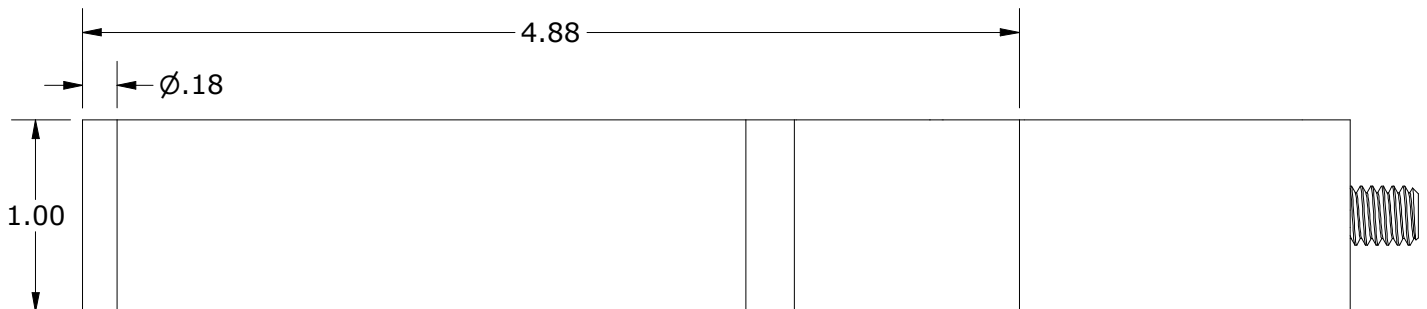
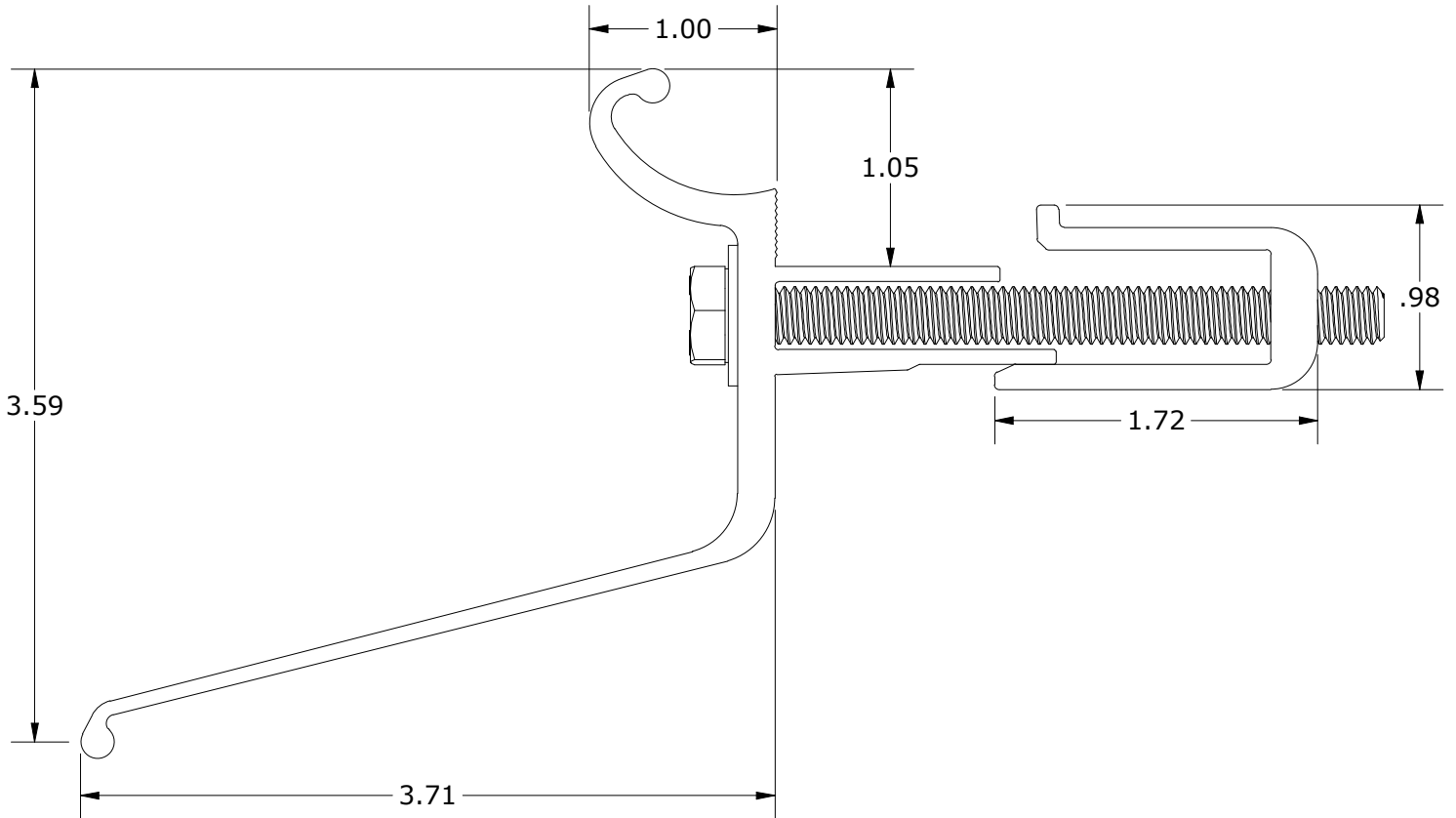
SnapNrack™
Solar Mounting Solutions

PART NUMBER(S):

242-92211

595 MARKET STREET, 29TH FLOOR • SAN FRANCISCO, CA 94105 USA
PHONE (415) 580-6900 • FAX (415) 580-6902

THE INFORMATION IN THIS DRAWING IS CONFIDENTIAL AND PROPRIETARY. ANY
REPRODUCTION, DISCLOSURE, OR USE THEREOF IS PROHIBITED WITHOUT THE
WRITTEN CONSENT OF SUNRUN SOUTH LLC.



ALL DIMENSIONS IN INCHES