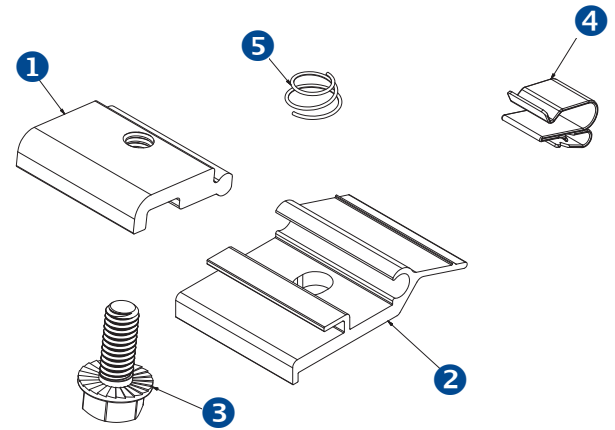


MLPE Frame Attachment Kit Installation Manual

Part No. 242-02151

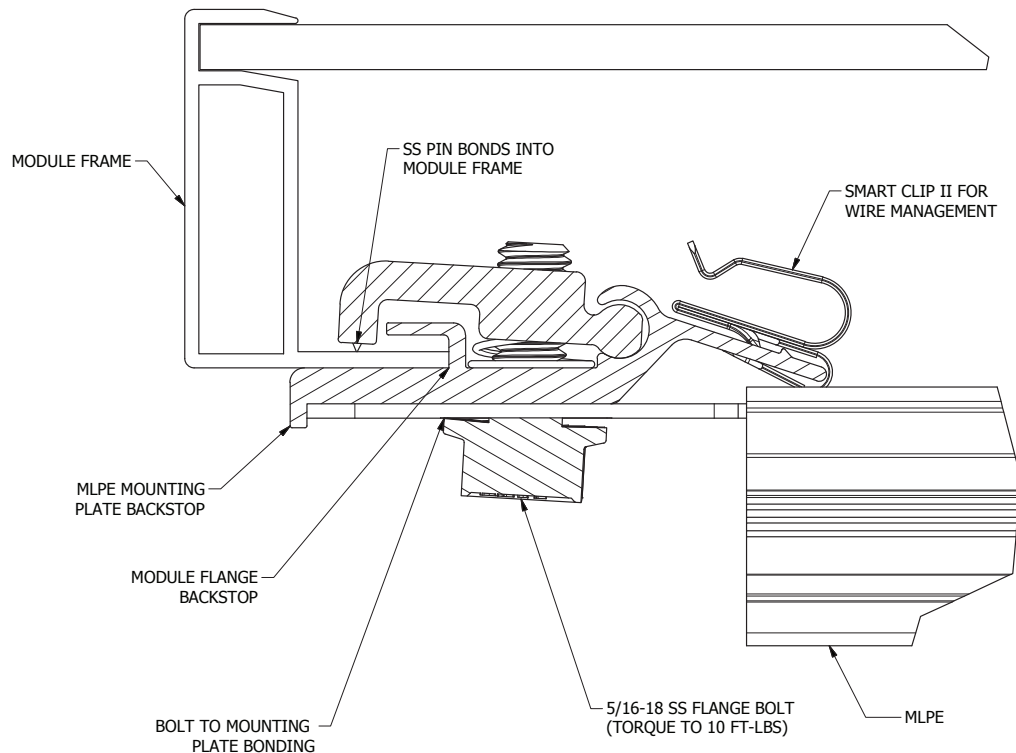
Materials Included

- ① (1) SnapNrack MLPE Frame Attachment Top
- ② (1) SnapNrack MLPE Frame Attachment Bottom
- ③ (1) 5/16"-18 X 3/4" Serrated Flange Bolt SS
- ④ (1) SnapNrack Smart Clip II
- ⑤ (1) SnapNrack MLPE Frame Attachment Coil Spring SS



Hardware Description	Torque Specification
MLPE Frame Attachment Bolt	10 lb-ft (120 lb-in)

Technical Specifications	
Material	6000 Series Aluminum, Stainless Steel Hardware
Certifications	UL 2703. Also Listed for use with SnapNrack S100, S200, and RL mounting systems.
Maximum Fuse Rating	20 A Series Fuse
Module Flange Compatibility	Flange thickness range between 0.8mm and 2.4mm
Certified with MLPE Models	<p>MLPE Frame Attachment Kit, model 242-02151 has been tested for Bonding with the following UL or NRTL Listed MLPE Devices' back plates:</p> <p>Celestica International - Rapid Shutdown Device models DG-006-F001201x and DG-006-F001401x</p> <p>Enphase - Microinverter Models M250, M215 and C250, IQ6-60-2-US, IQ6PLUS-72-2-US, IQ7-60-2-US, IQ7-60-B-US, IQ7PLUS-72-2-US, IQ7PLUS-72-B-US.</p> <p>Ginlong Technologies - Rapid Shutdown Device model Solis-RSD-1G; Solis-MLRSD-R1-1G and Solis-MLRSD-R2-1G.</p> <p>SolarEdge - Optimizer Model P300-5NC4ARS or P320-5NC4ARS, P370-5NC4AFS, or P400-5NC4AFS.</p> <p>Note: Ginlong Solis-MLRSD-R1-1G and Solis-MLRSD-R2-1G have not been investigated for bonding since the enclosures are constructed entirely of polymeric materials.</p>
Certified with Module Models	See certification directory on www.ul.com for File E359313



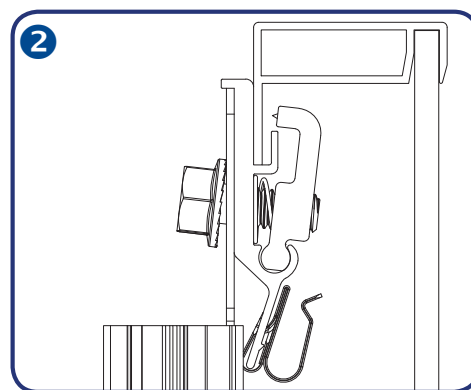
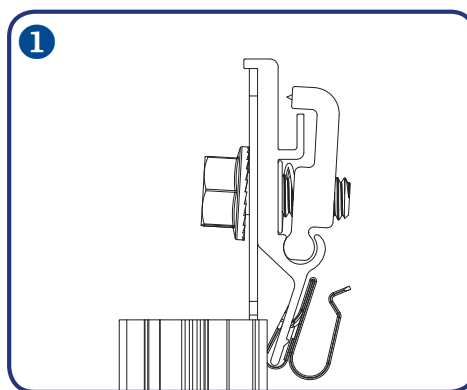
Required Tools

- Socket Wrench
- Torque Wrench
- 1/2" Socket

Step-by-Step Instructions

1. Slide the backplate channel of the MLPE device under the MLPE Frame Attachment Kit bolt. The MLPE mounting plate should rest against the MLPE mounting plate backstop on the MLPE Frame Attachment Kit.
2. Position the MLPE Frame Attachment Kit on the module frame flange in a location that will not interfere with mounting system components. The module frame flange should rest against the module flange backstop on the MLPE Frame Attachment Kit.

INSTALL NOTE: Avoid blocking module frame drainage holes when installing the MLPE Frame Attachment Kit.



3. Tighten the mounting bolt on the MLPE Frame Attachment Kit to 10 lb-ft (120 lb-in).

NOTE: The MLPE Frame Attachment Kit bonds the following components: Module Frame, MLPE backplate and Smart Clip.

4. Connect the module leads to the input connectors on the MLPE device and manage conductors with the integrated Smart Clip.

