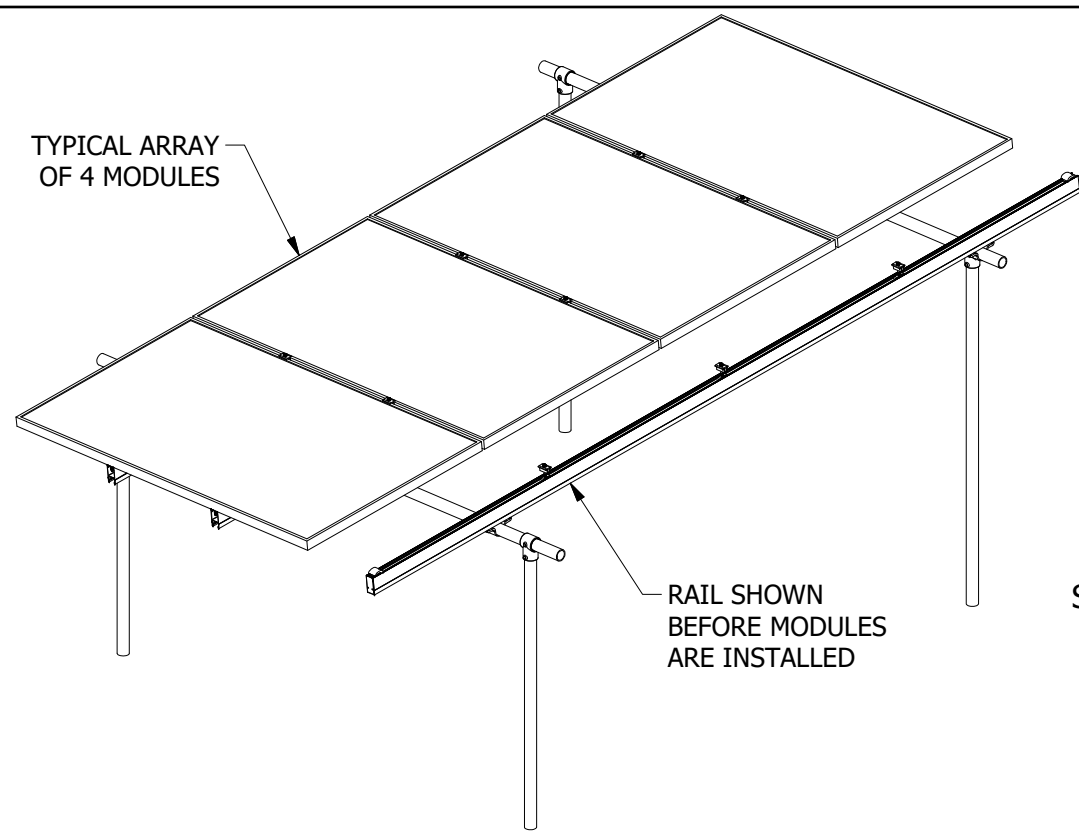
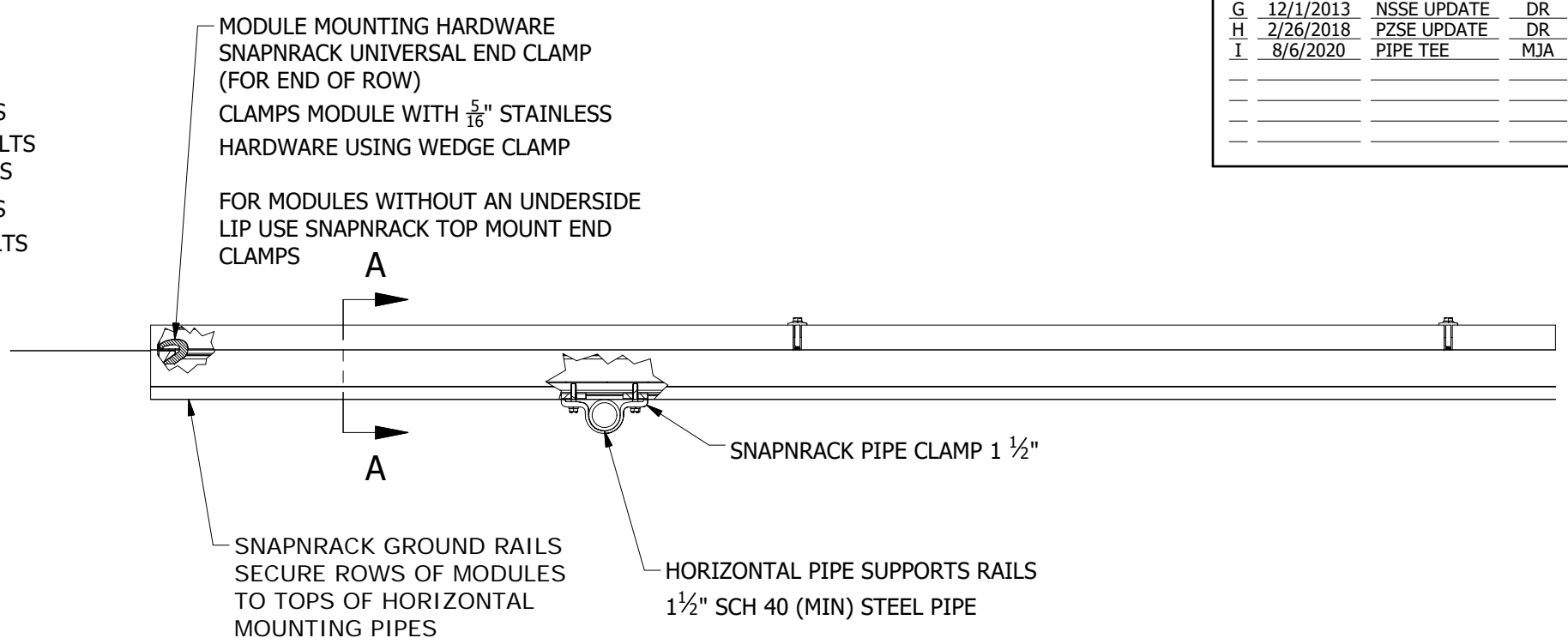
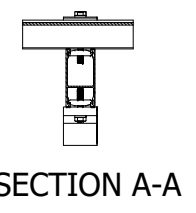


REVISION:		
G	12/1/2013	NSSE UPDATE DR
H	2/26/2018	PZSE UPDATE DR
I	8/6/2020	PIPE TEE MJA

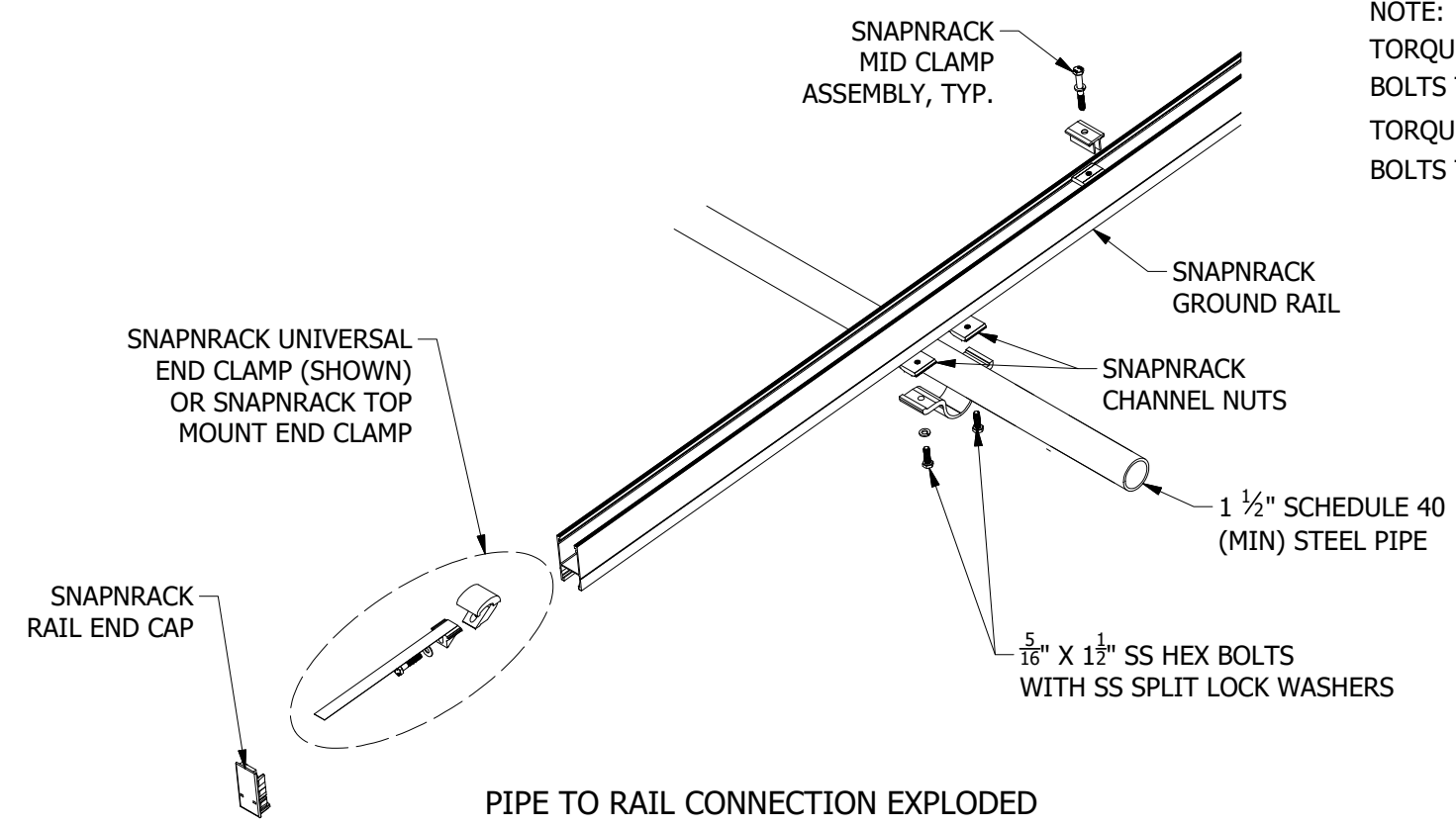


ISO VIEW OF RACKING ASSEMBLY

NOTE:
 TORQUE 5/16" SS SILVER HEX BOLTS TO 10-16 FT-LBS
 TORQUE 5/16" SS BLACK HEX BOLTS TO 7-9 FT-LBS

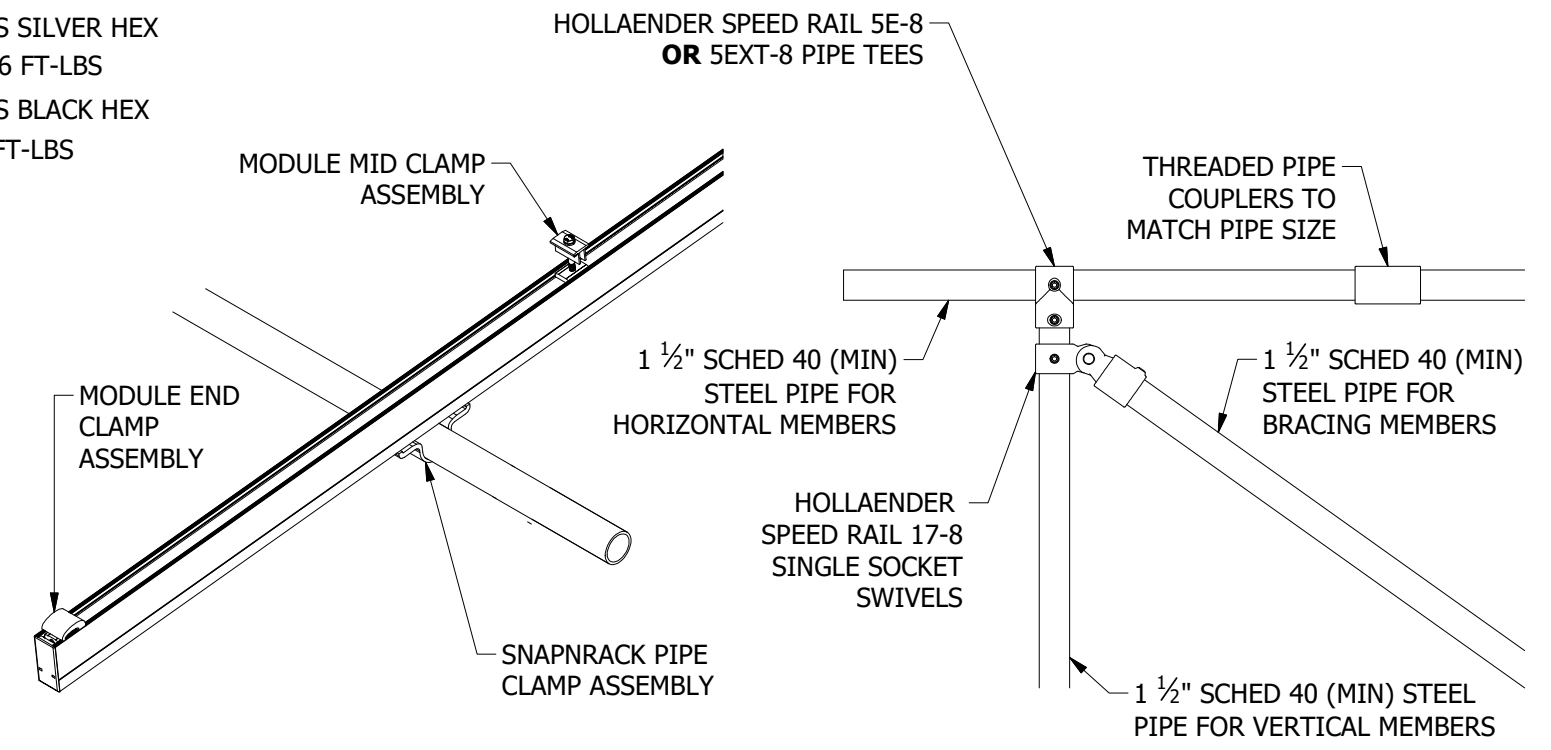


MODULE AND RAIL ATTACHMENT DETAILS



PIPE TO RAIL CONNECTION EXPLODED

NOTE:
 TORQUE 5/16" SS SILVER HEX BOLTS TO 10-16 FT-LBS
 TORQUE 5/16" SS BLACK HEX BOLTS TO 7-9 FT-LBS



PIPE TO RAIL CONNECTION

PIPE FITTING DETAILS