

SEE ENGINEERING TABLES FOR PIER DEPTHS AND SPAN LIMITATIONS.

COMPATIBLE WITH ALL PIER OPTIONS INCLUDING STANDARD PIERS AND GRADE BEAMS.

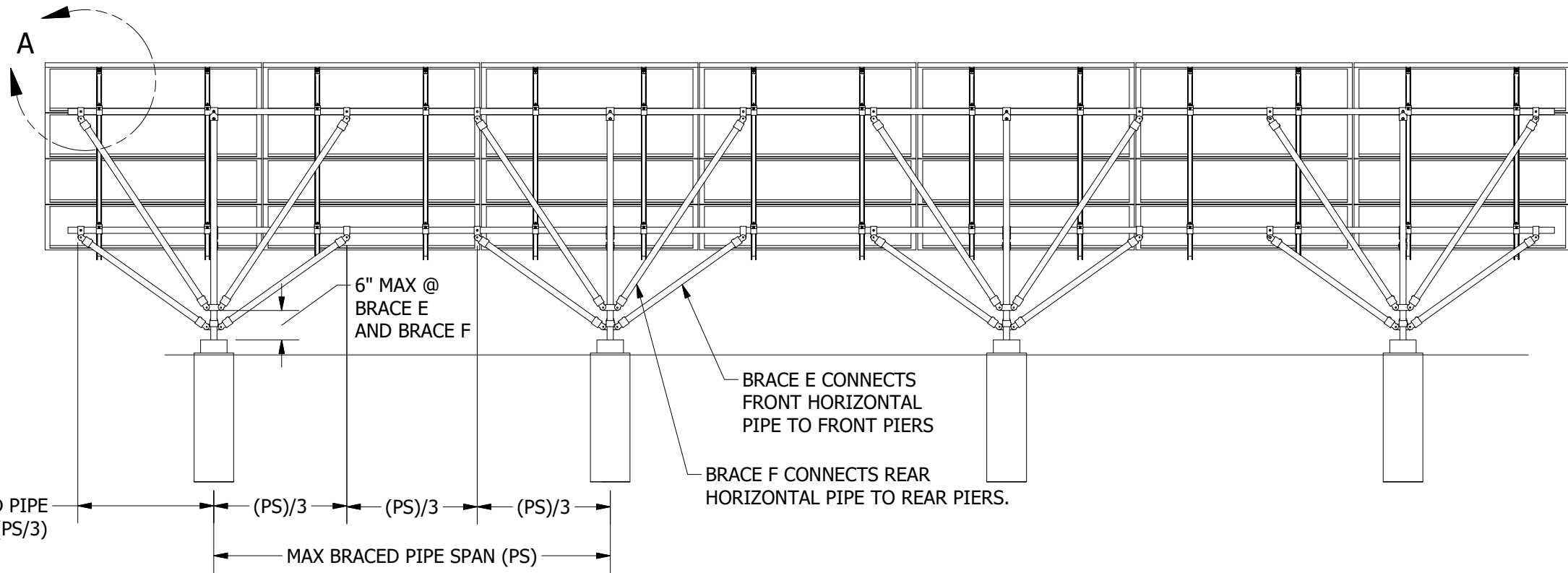
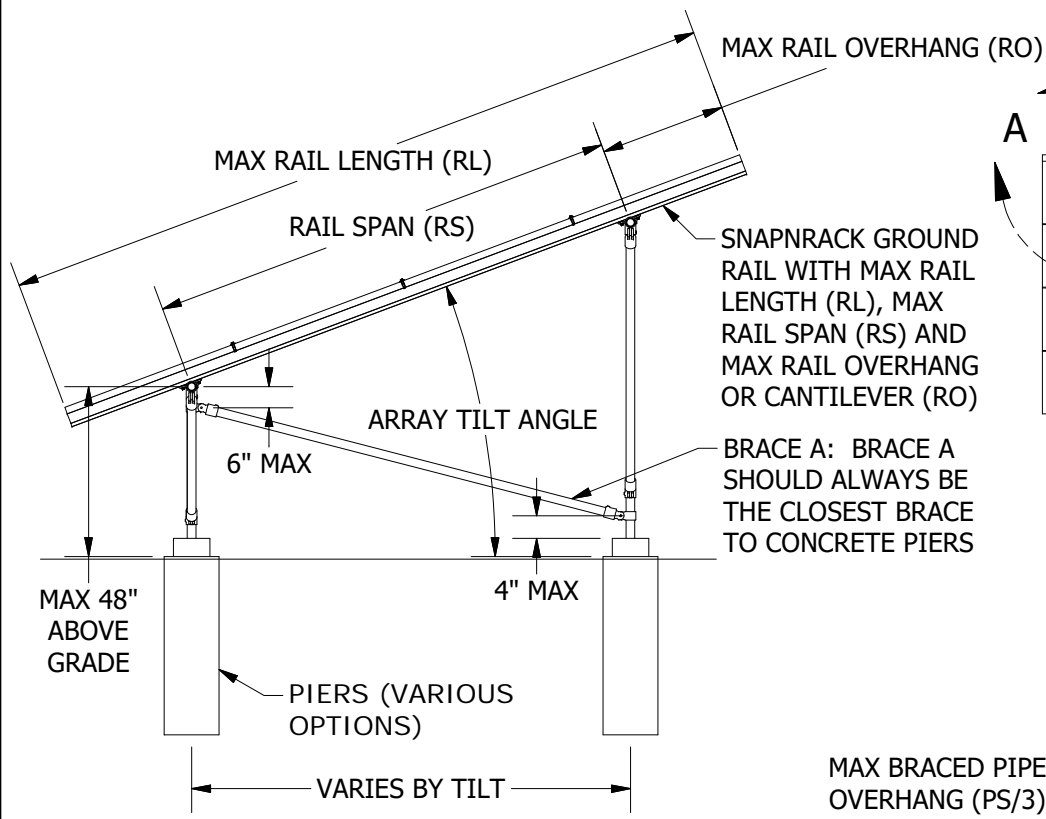
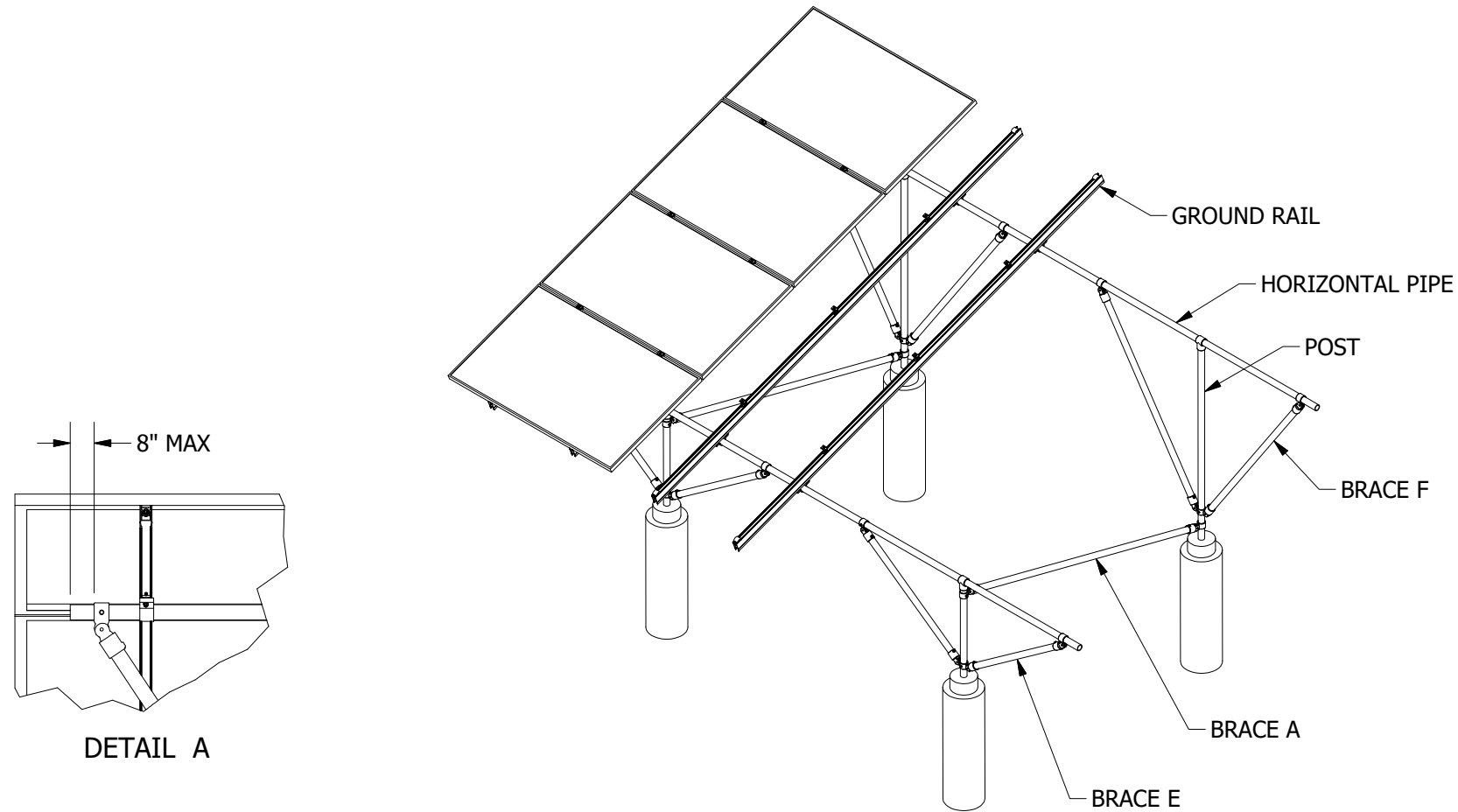
UNLESS OTHERWISE SPECIFIED IN ENGINEERING DOCS, THE FOLLOWING VALUES APPLY.

WHEN RAIL LENGTH (RL) IS 162":
RAIL SPAN (RS) = 96"
MAX RAIL OVERHANG (RO) = 32"

WHEN RAIL LENGTH (RL) IS 172":
RAIL SPAN (RS) = 105"
MAX RAIL OVERHANG (RO) = 35"

MAXIMUM MODULE WEIGHT IS 65 LBS

| REVISION: | | |
|-----------|------------|----------------|
| G | 12/1/2013 | NSSE UPDATE DR |
| H | 2/26/2018 | PZSE UPDATE DR |
| I | 12/18/2020 | PZSE UPDATE MW |
| | | |
| | | |
| | | |



| | | | | | | |
|--|---|-------------------------------|-------------------------|----------------------------------|--|--------------|
| | Sunrun South LLC 595 MARKET STREET, 29TH FLOOR • SAN FRANCISCO, CA 94105 USA PHONE (415) 580-6900 • FAX (415) 580-6902 <small>THE INFORMATION IN THIS DRAWING IS CONFIDENTIAL AND PROPRIETARY. ANY REPRODUCTION, DISCLOSURE, OR USE THEREOF IS PROHIBITED WITHOUT THE WRITTEN CONSENT OF SUNRUN SOUTH LLC.</small> | DESIGNER: <u>G.McPheeters</u> | SCALE: <u>DNS</u> | PART NUMBER: <u>S200 D03</u> | DESCRIPTION: <u>SERIES 200 BRACED INSTALLATION OPTION, HIGH LOAD OR LONGER SPANS</u> | REV <u>I</u> |
| | | DRAFTER: <u>D.Ryan</u> | DATE: <u>12/18/2020</u> | APPROVED BY: <u>G.McPheeters</u> | | |