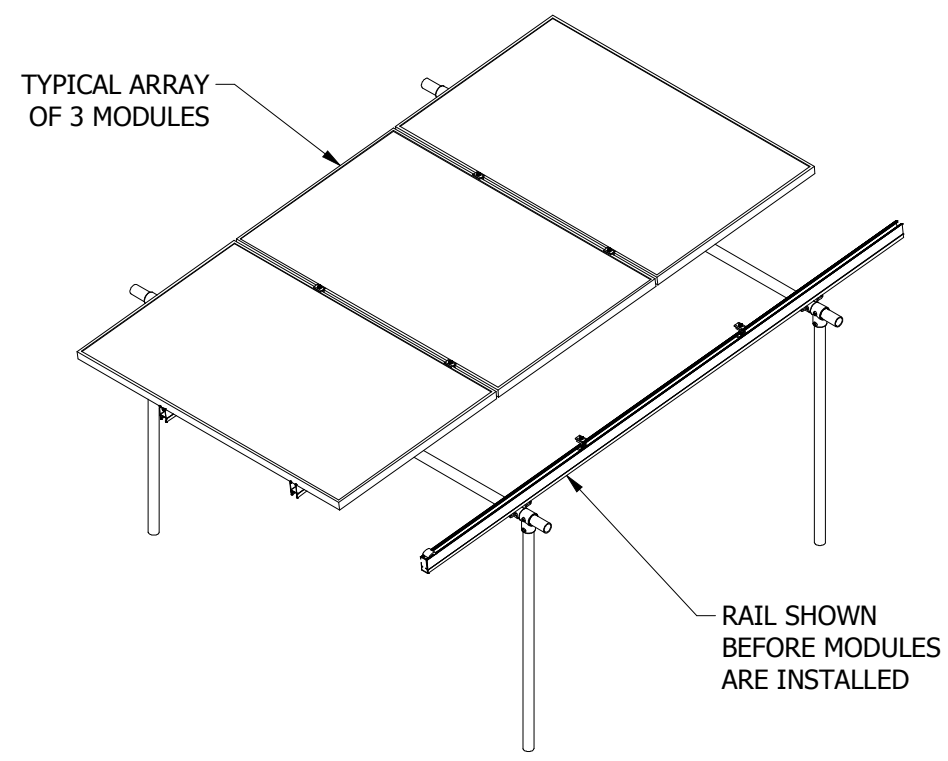
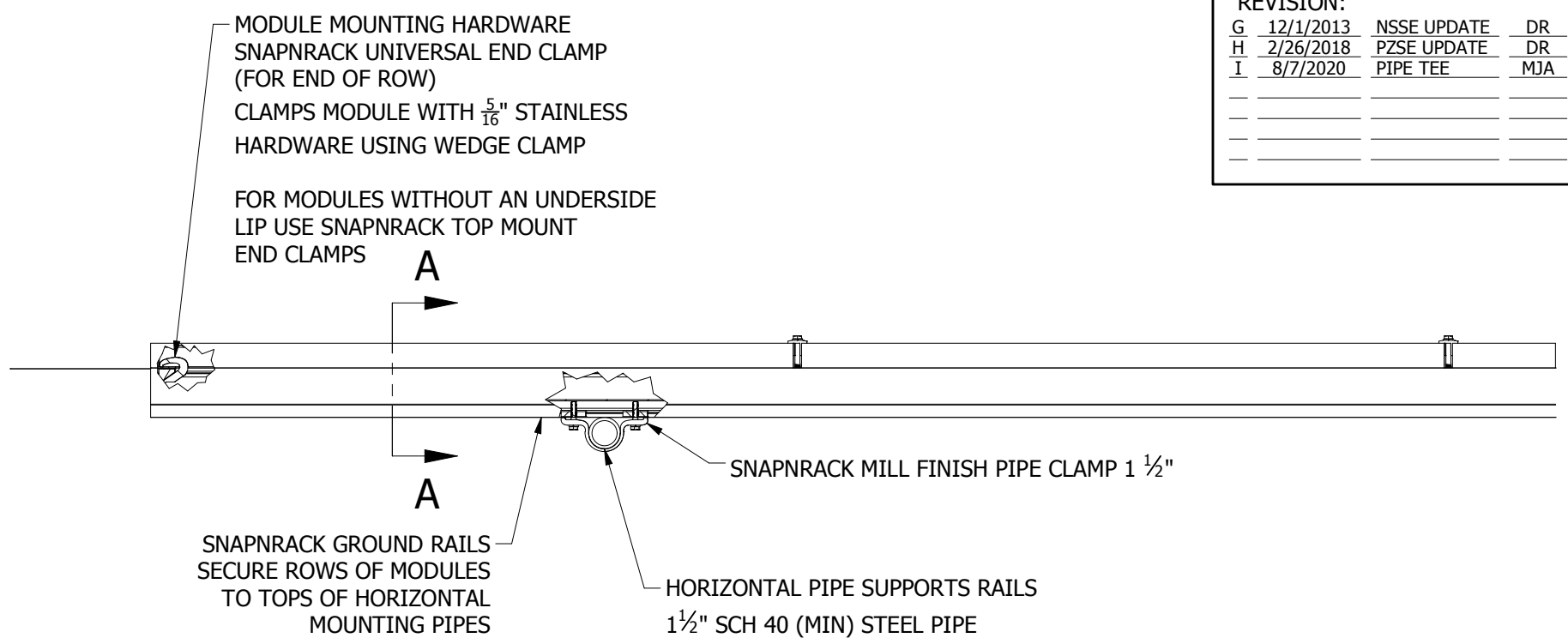
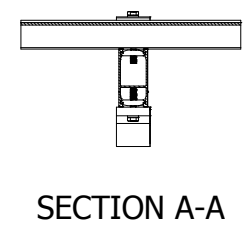


REVISION:		
G	12/1/2013	NSSE UPDATE DR
H	2/26/2018	PZSE UPDATE DR
I	8/7/2020	PIPE TEE MJA

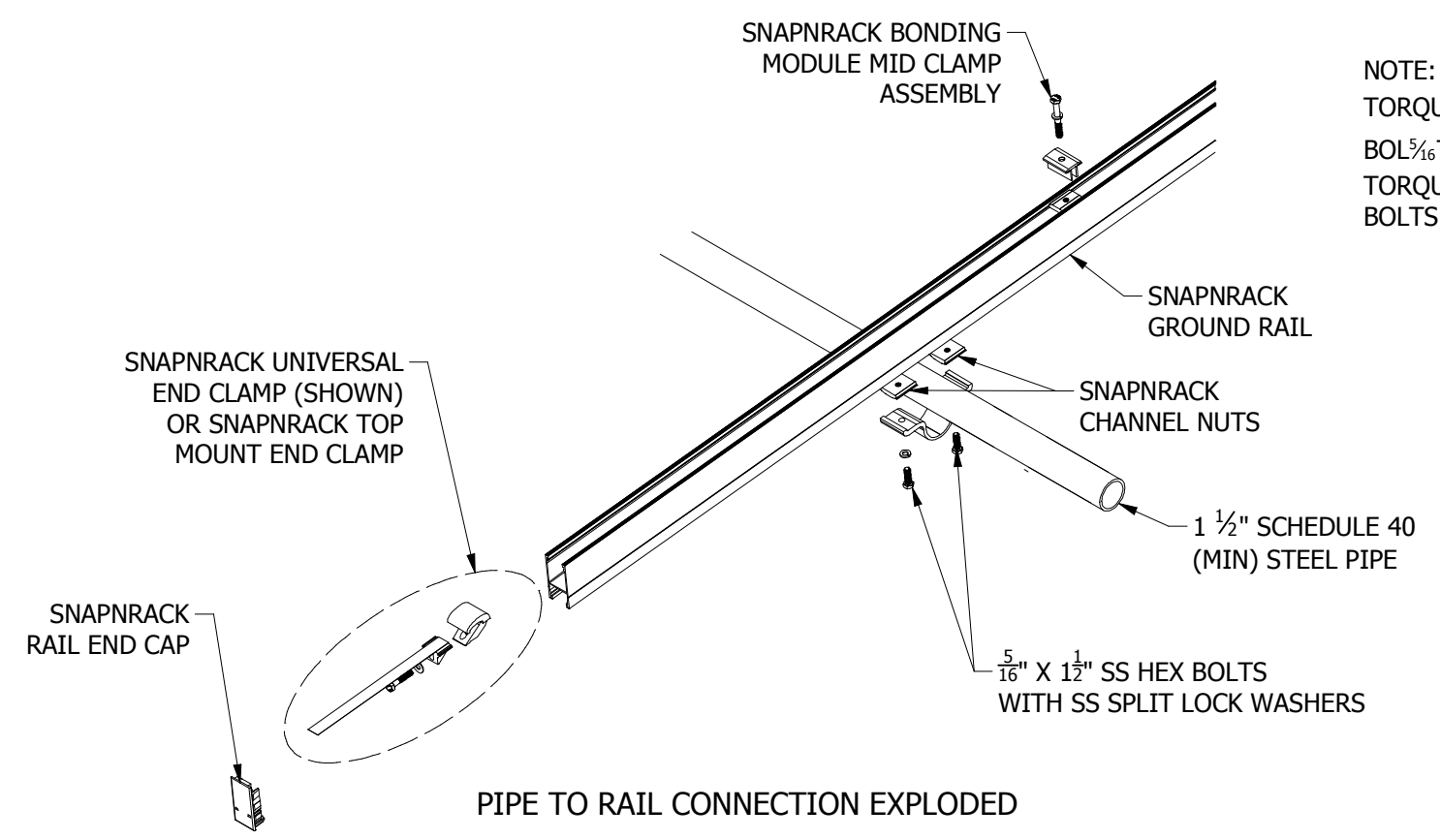


ISO VIEW OF RACKING ASSEMBLY

NOTE:  
 TORQUE  $\frac{5}{16}$ " SS SILVER HEX BOLTS TO 10-16 FT-LBS  
 TORQUE  $\frac{5}{16}$ " SS BLACK HEX BOLTS TO 7-9 FT-LBS

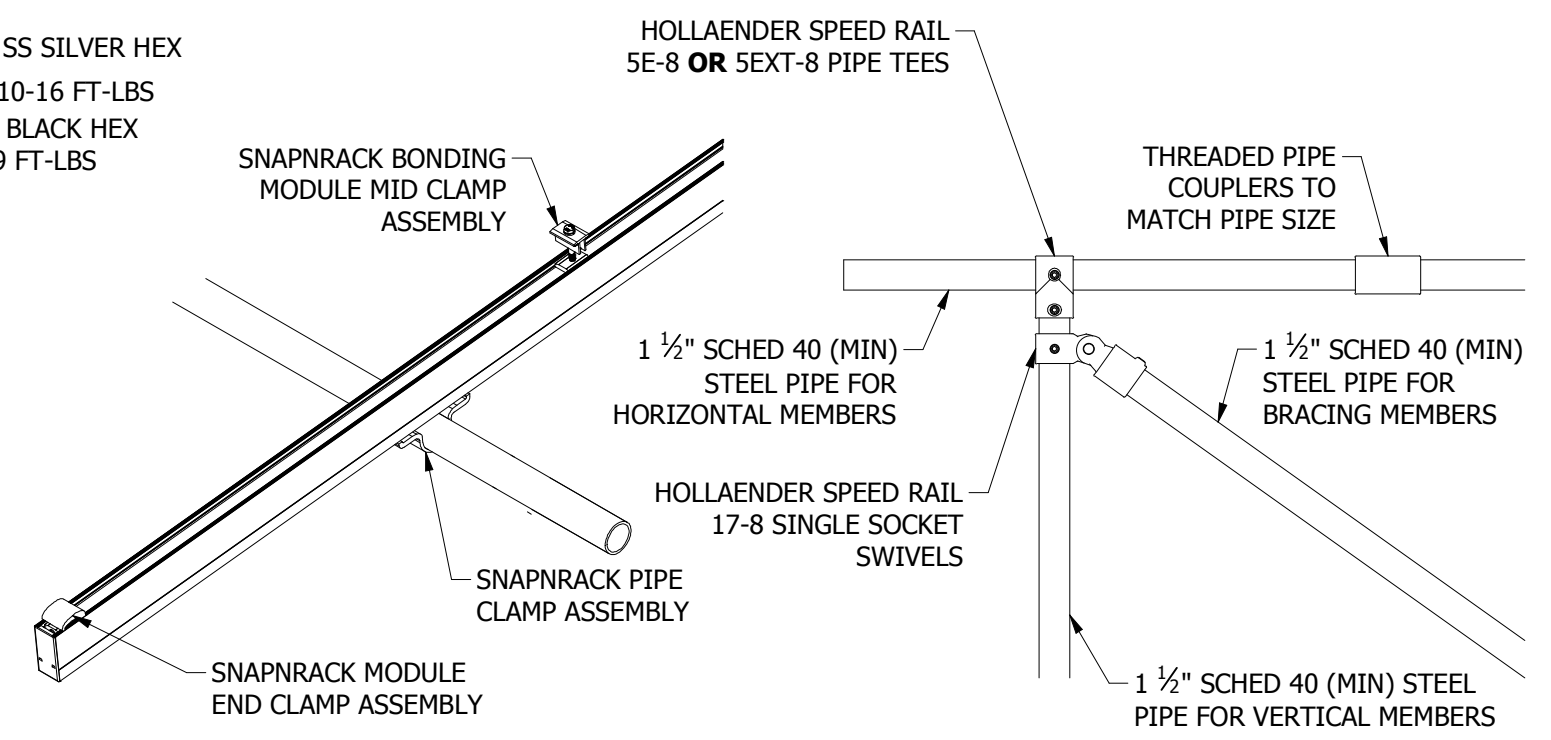


MODULE AND RAIL ATTACHMENT DETAILS



PIPE TO RAIL CONNECTION EXPLODED

NOTE:  
 TORQUE  $\frac{5}{16}$ " SS SILVER HEX BOLTS TO 10-16 FT-LBS  
 TORQUE " SS BLACK HEX BOLTS TO 7-9 FT-LBS



PIPE TO RAIL CONNECTION

PIPE FITTING DETAILS



Sunrun South LLC  
 595 MARKET STREET, 29TH FLOOR • SAN FRANCISCO, CA 94105 USA  
 PHONE (415) 580-6900 • FAX (415) 580-6902

THE INFORMATION IN THIS DRAWING IS CONFIDENTIAL AND PROPRIETARY. ANY REPRODUCTION, DISCLOSURE, OR USE THEREOF IS PROHIBITED WITHOUT THE WRITTEN CONSENT OF SUNRUN SOUTH LLC.

DESIGNER: G.McPheeters  
 DRAFTER: D.Ryan  
 APPROVED BY: G.McPheeters

SCALE: DNS  
 DATE: 8/7/2020

PART NUMBER: S200 D04

DESCRIPTION: SERIES 200 SYSTEM DETAILS, 3 MODULE PANELS

REV I