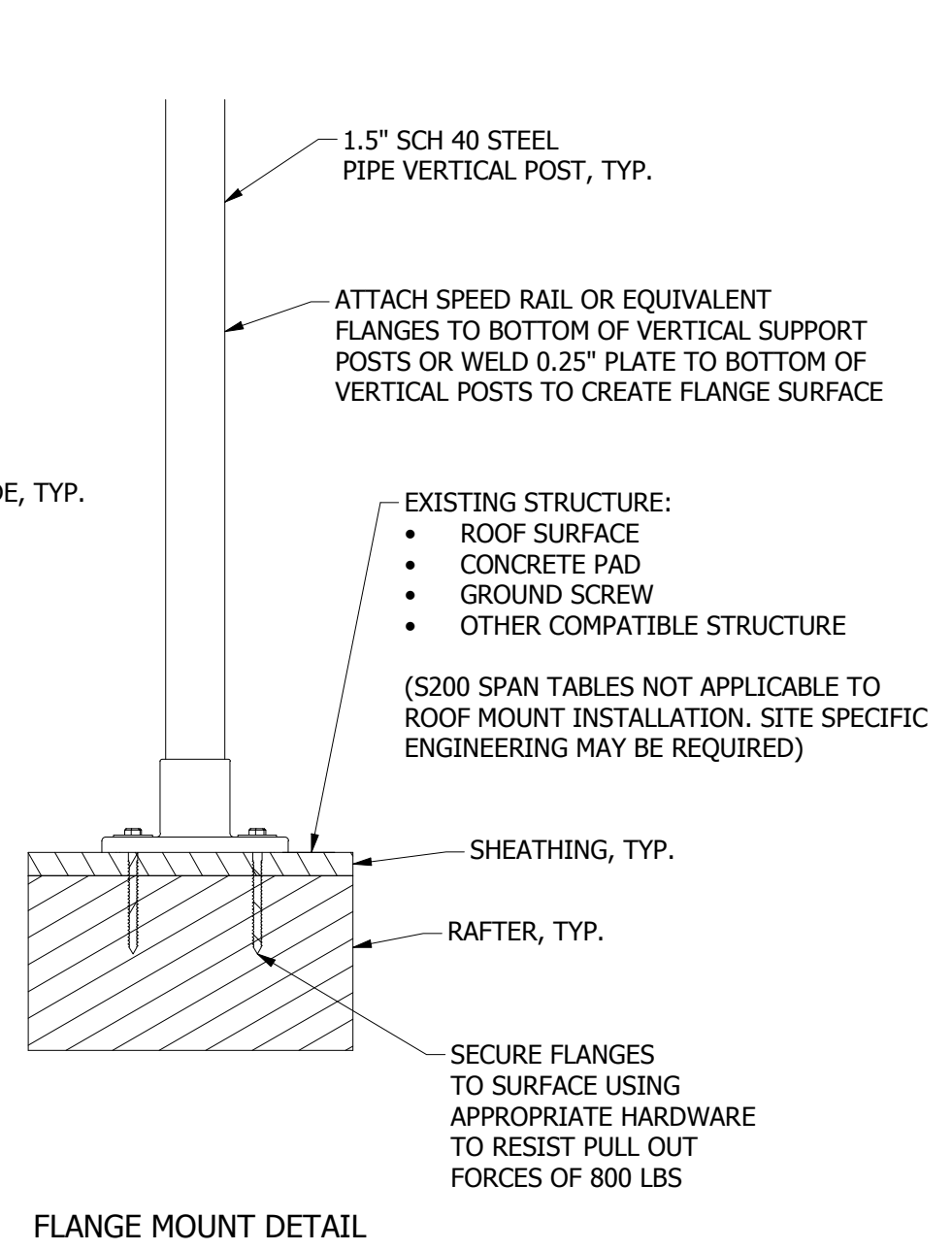
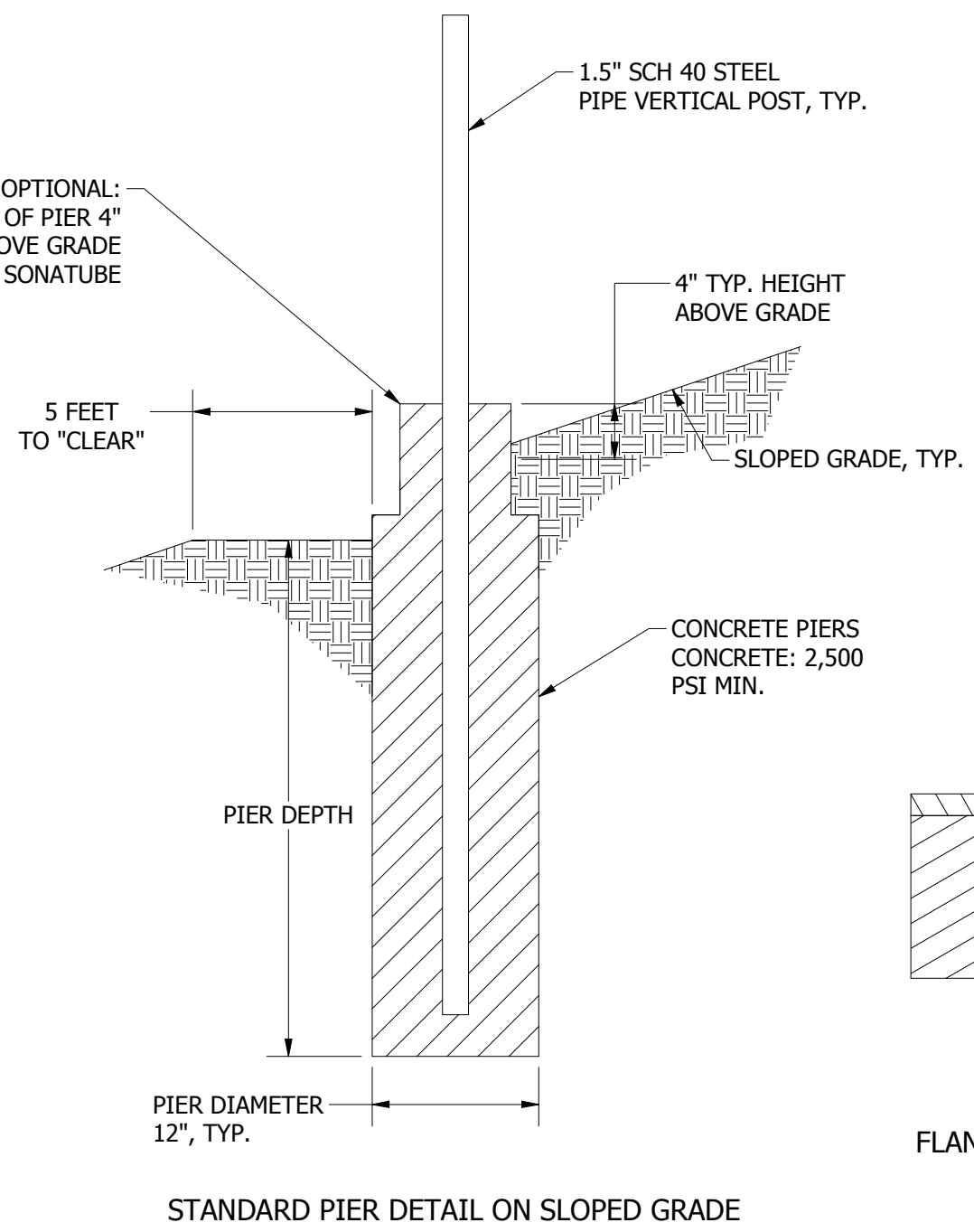
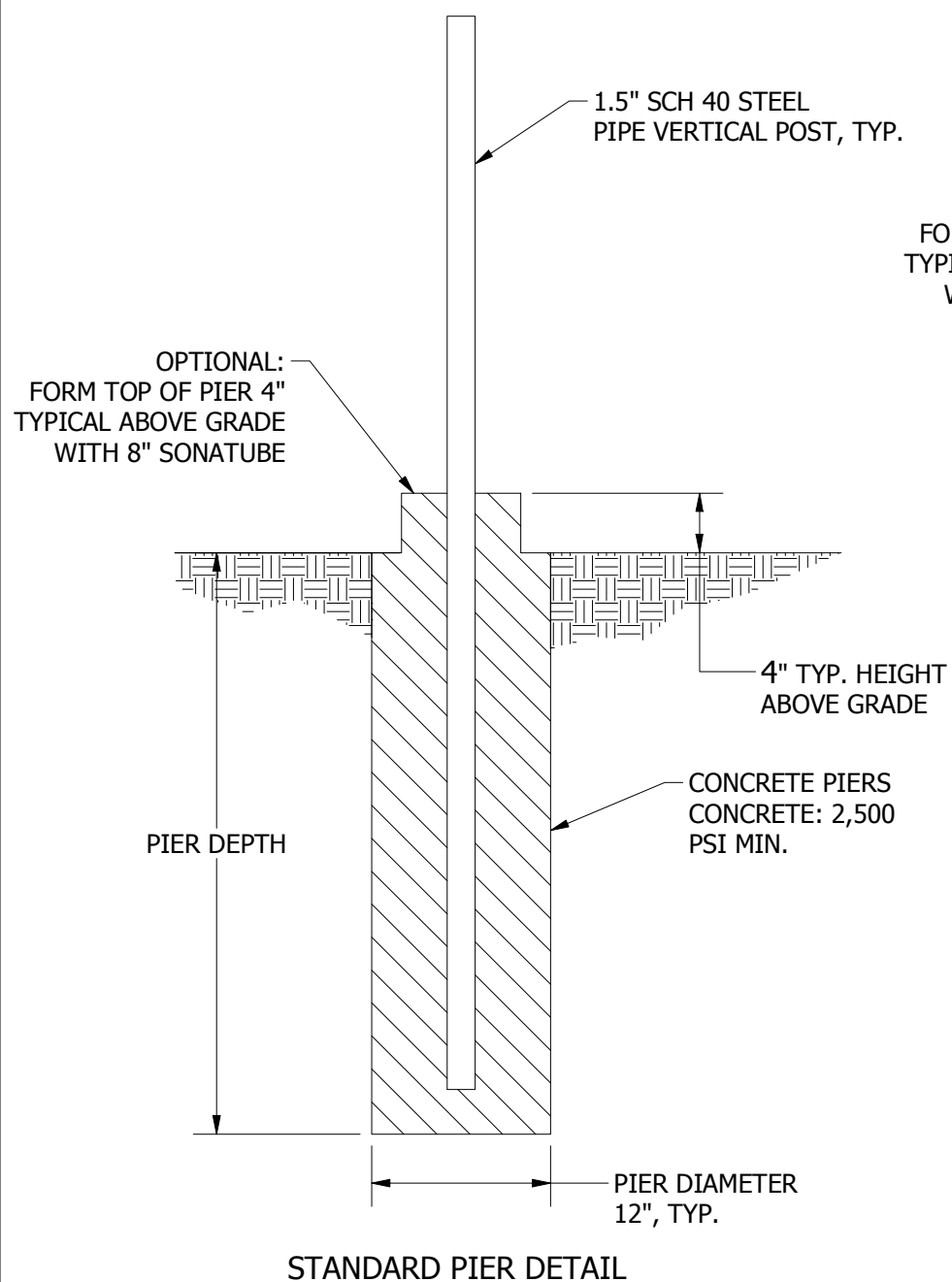


REVISION:		
G	12/1/2013	NSSE UPDATE DR
H	2/26/2018	PZSE UPDATE DR
I	8/5/2020	FLANGE DETAIL DR



	Sunrun South LLC 595 MARKET STREET, 29TH FLOOR • SAN FRANCISCO, CA 94105 USA PHONE (415) 580-6900 • FAX (415) 580-6902 <small>THE INFORMATION IN THIS DRAWING IS CONFIDENTIAL AND PROPRIETARY. ANY REPRODUCTION, DISCLOSURE, OR USE THEREOF IS PROHIBITED WITHOUT THE WRITTEN CONSENT OF SUNRUN SOUTH LLC.</small>	DESIGNER: <u>G.McPheeters</u>	SCALE: <u>DNS</u>	PART NUMBER: <u>S200 D06</u>	DESCRIPTION: <u>SERIES 200 PIER DETAILS</u>	REV I
		DRAFTER: <u>D.Ryan</u>	DATE: <u>8/5/2020</u>	APPROVED BY: <u>B.Peterson</u>		