

GRADE BEAM FOUNDATION CONFIGURATION

SEE ENGINEERING TABLES FOR SPAN LIMITATIONS.

UNLESS OTHERWISE SPECIFIED IN ENGINEERING DOCS, THE FOLLOWING VALUES APPLY.

WHEN RAIL LENGTH (RL) IS 162":
RAIL SPAN (RS) = 96"
MAX RAIL OVERHANG (RO) = 32"

WHEN RAIL LENGTH (RL) IS 172":
MAX RAIL SPAN (RS) = 105"
MAX RAIL OVERHANG (RO) = 35"

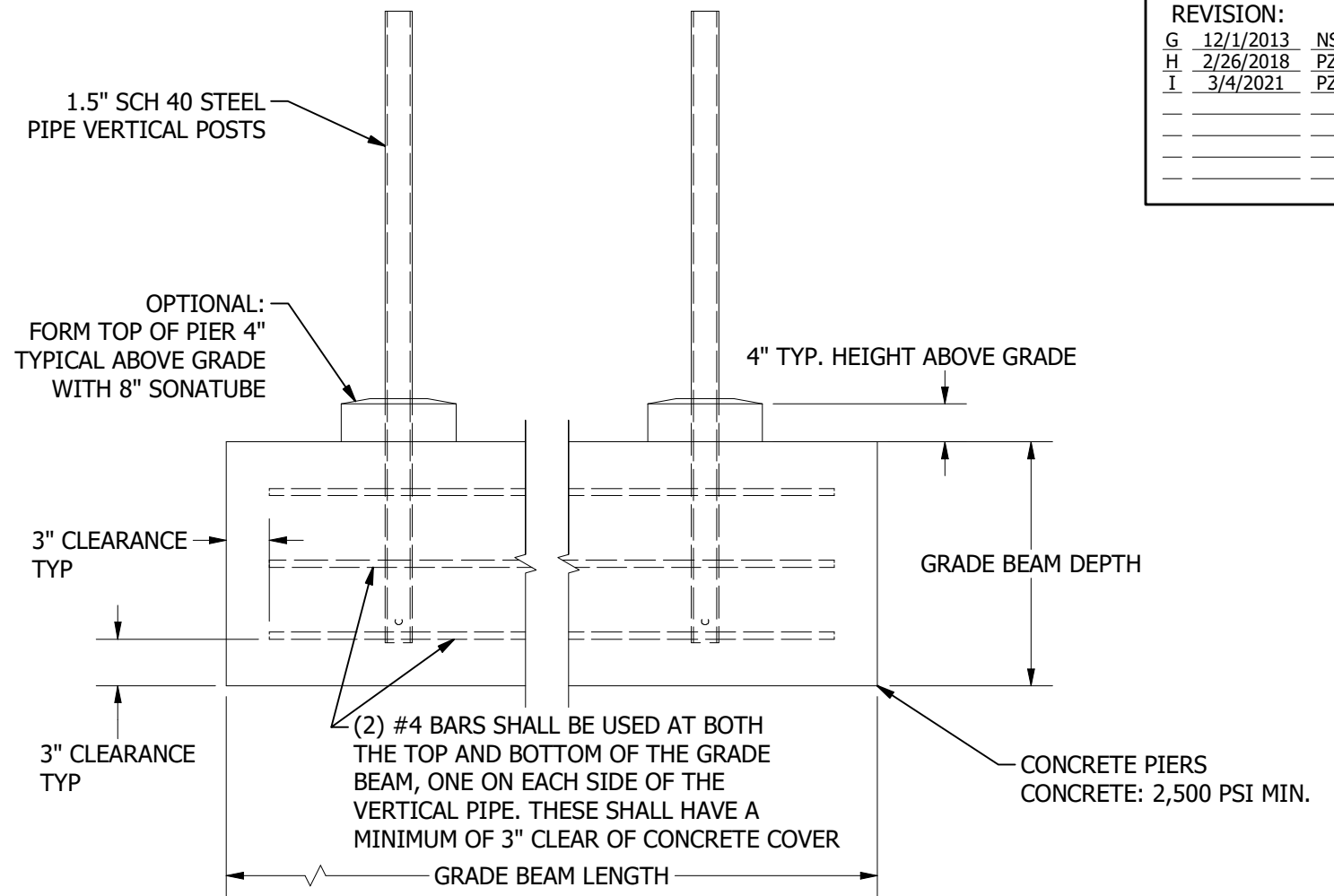
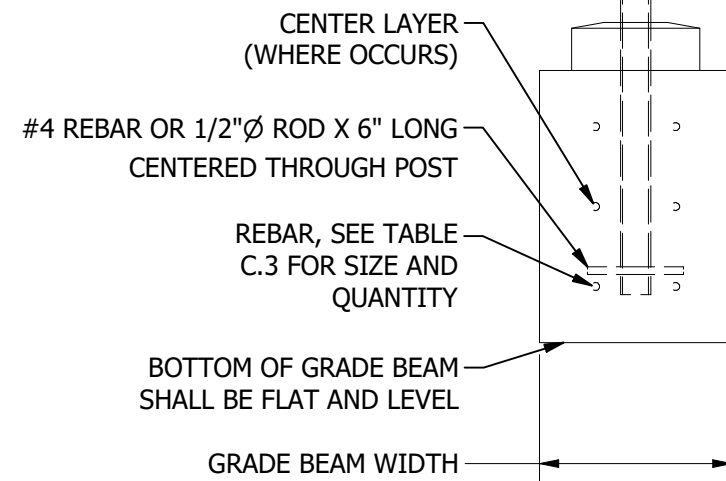
MAXIMUM MODULE WEIGHT IS 65 LBS

MIN GBW: 12"
MIN GBD: 18"

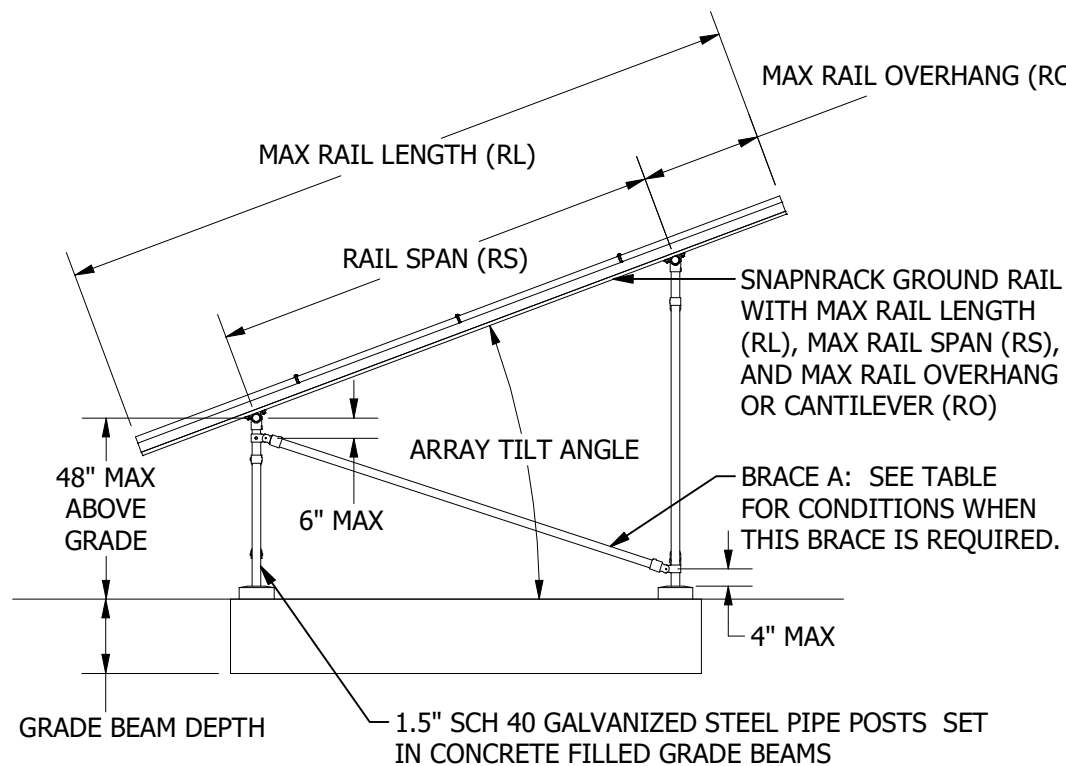
GRADE BEAM FOUNDATIONS SHOULD ONLY BE USED IN FLAT GROUND CONDITIONS (GROUND SLOPE LESS THAN 5 DEGREES TYPICAL)

COMPATIBLE WITH ALL BRACING OPTIONS

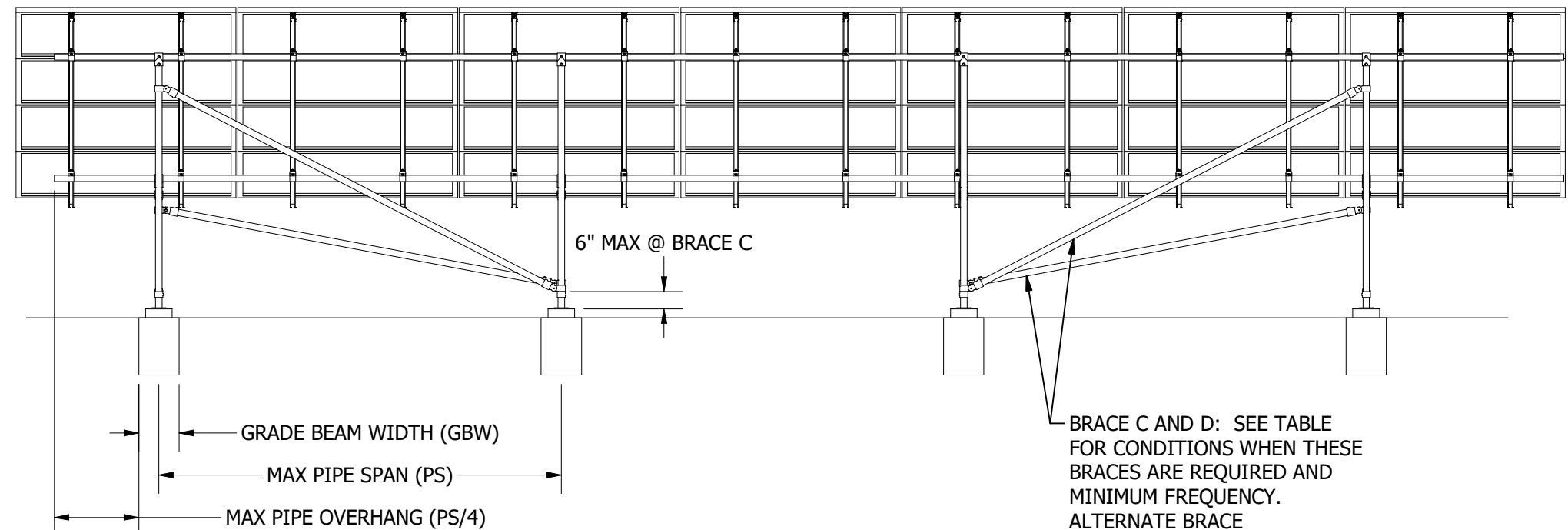
REVISION:			
G	12/1/2013	NSSE UPDATE	DR
H	2/26/2018	PZSE UPDATE	DR
I	3/4/2021	PZSE UPDATE	MW



GRADE BEAM FOUNDATION DETAIL



ARRAY SIDE VIEW



ARRAY BACK VIEW