

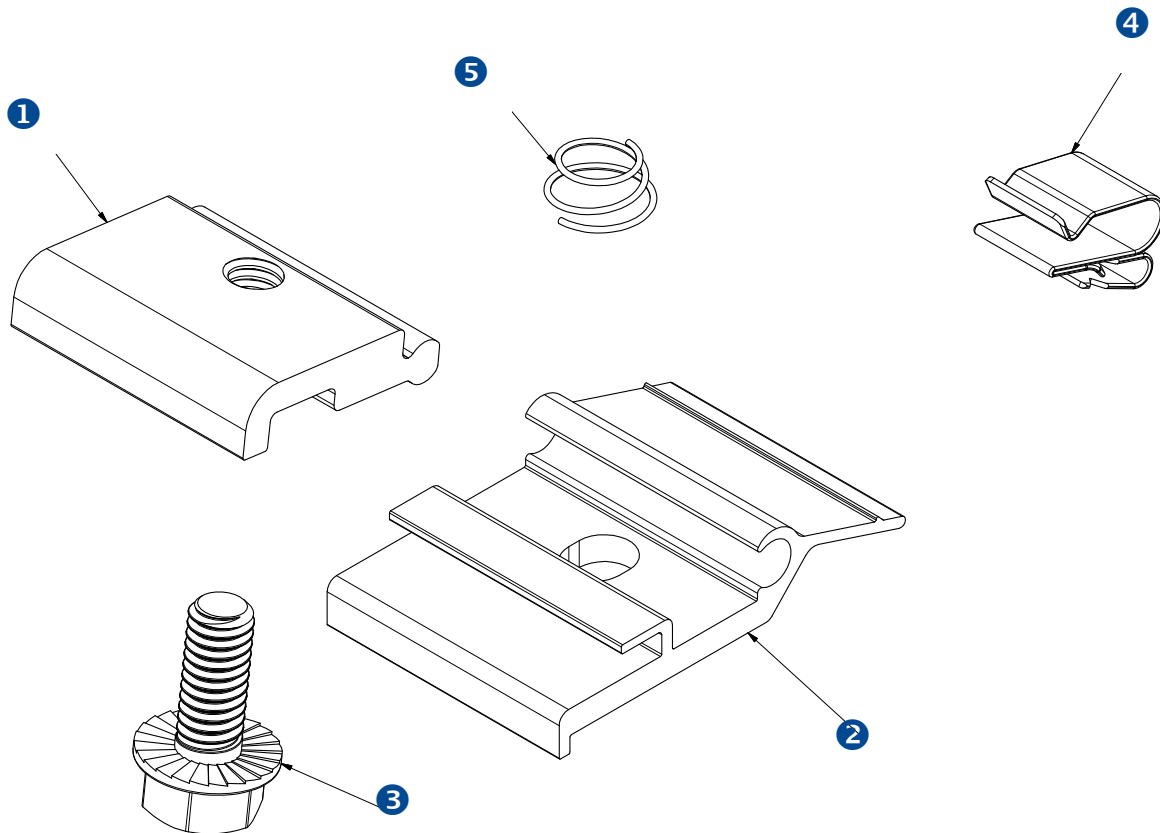
# MLPE Frame Attachment Kit Installation Manual

Part No. 242-02151

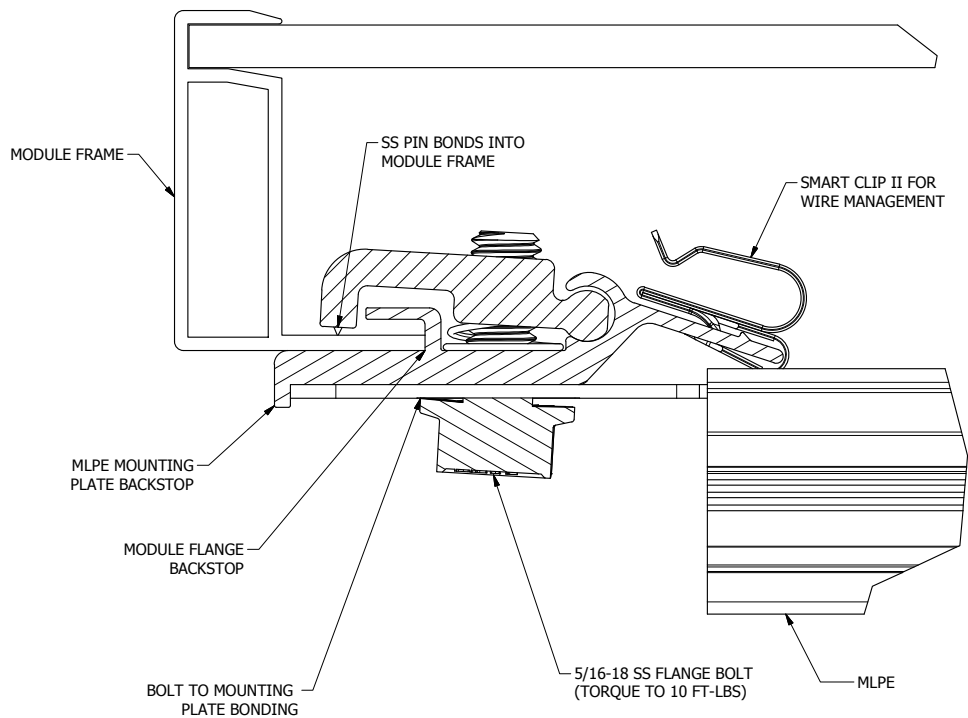
## Materials Included:

- ① (1) SnapNrack MLPE Frame Attachment Top
- ② (1) SnapNrack MLPE Frame Attachment Bottom
- ③ (1) 5/16"-18 X 3/4" Serrated Flange Bolt SS
- ④ (1) SnapNrack Smart Clip II
- ⑤ (1) SnapNrack MLPE Frame Attachment Coil

Hardware Description	Torque Specification
MLPE Frame Attachment Bolt	10 lb-ft (120 lb-in)



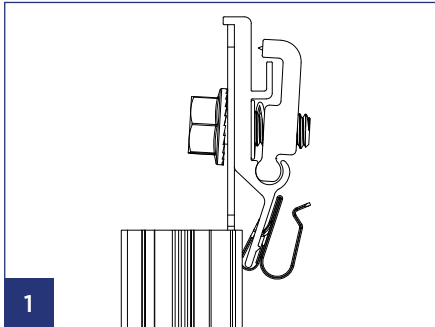
Technical Specifications	
Material	6000 Series Aluminum, Stainless Steel Hardware
Certifications	UL 2703. Also Listed for use with SnapNrack S100, S200, and RL mounting systems.
Maximum Fuse Rating	20 A Series Fuse
Module Flange Compatibility	Flange thickness range between 0.8mm and 2.4mm
Certified with MLPE Models	<p>MLPE Frame Attachment Kit, model 242-02151 has been tested for Bonding with the following UL or NRTL Listed MLPE Devices' back plates:</p> <ul style="list-style-type: none"> <li>• AP Smart - Rapid Shutdown Device Model RSD-S-PLC</li> <li>• Celestica International - Rapid Shutdown Device models DG-006-F001201x and DG-006-F001401x</li> <li>• Delta Electronics - Rapid Shutdown Device Model GPI00010105</li> <li>• Enphase - Microinverter Models M250, M215 and C250, IQ6-60-2-US, IQ6PLUS-72-2-US, IQ7-60-2-US, IQ7-60-B-US, IQ7PLUS-72-2-US, IQ7PLUS-72-B-US, IQ8-60, IQ8PLUS-72, IQ8A-72, IQ8H-208-72, IQ8H-240-72.</li> <li>• Generac - Model S2502</li> <li>• Ginlong Technologies - Rapid Shutdown Device model Solis-RSD-1G; Solis-MLRSD-R1-1G and Solis-MLRSD-R2-1G.</li> <li>• SolarEdge - Optimizer Model P300-5NC4ARS or P320-5NC4ARS, P370-5NC4AFS, P400-5NC4AFS, P320, P340, P370, P400, P401, P405, P485, P505, P730, P800p, P850, P860, P950.</li> <li>• SMA - Rapid Shutdown Device Model RSB-2S-US-10</li> <li>• Tigo - TS4-R-F, TS4-R-M, TS4-R-O, TS4-R-S, TS4-R-M-DUO, TS4-R-O-DUO, TS4-R-S-DUO, TS4-A-F, TS4-A-2F, TS4-A-O, TS4-A-S</li> </ul> <p>Note: Ginlong Solis-MLRSD-R1-1G and Solis-MLRSD-R2-1G, AP Smart RSD-S-PLC and all Tigo models have not been investigated for bonding since the enclosures are constructed entirely of polymeric materials.</p>
Certified with Module Models	See certification directory on <a href="http://www.ul.com">www.ul.com</a> for File E359313



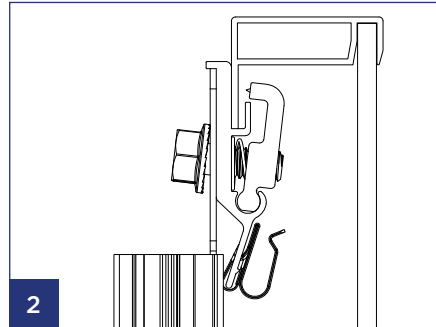
## Required Tools

- Socket Wrench
- Torque Wrench
- ½" socket

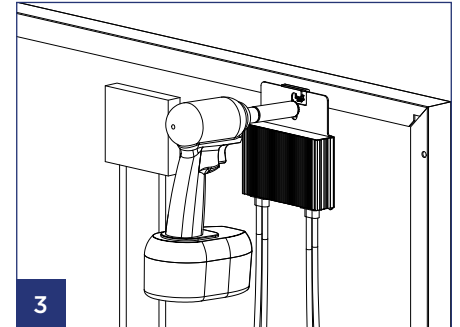
## Installation Instructions



1 Slide the backplate channel of the MLPE device under the MLPE Frame Attachment Kit bolt. The MLPE mounting plate should rest against the MLPE mounting plate backstop on the MLPE Frame Attachment Kit.



2 Position the MLPE Frame Attachment Kit on the module frame flange in a location that will not interfere with mounting system components. The module frame flange should rest against the module flange backstop on the MLPE Frame Attachment Kit.



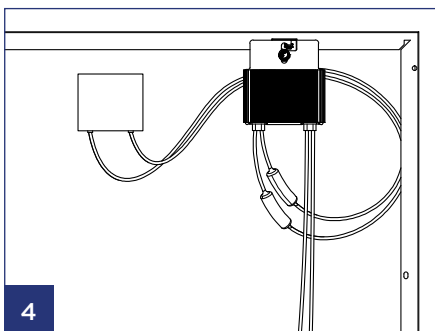
3 Tighten the mounting bolt on the MLPE Frame Attachment Kit to 10 lb-ft (120 lb-in).

### ⚠ Install Note

Avoid blocking module frame drainage holes when installing the MLPE Frame Attachment Kit.

### ⚠ Install Note

The MLPE Frame Attachment Kit bonds the following components: Module Frame, MLPE backplate and Smart Clip.



4 Connect the module leads to the input connectors on the MLPE device and manage conductors with the integrated Smart Clip.