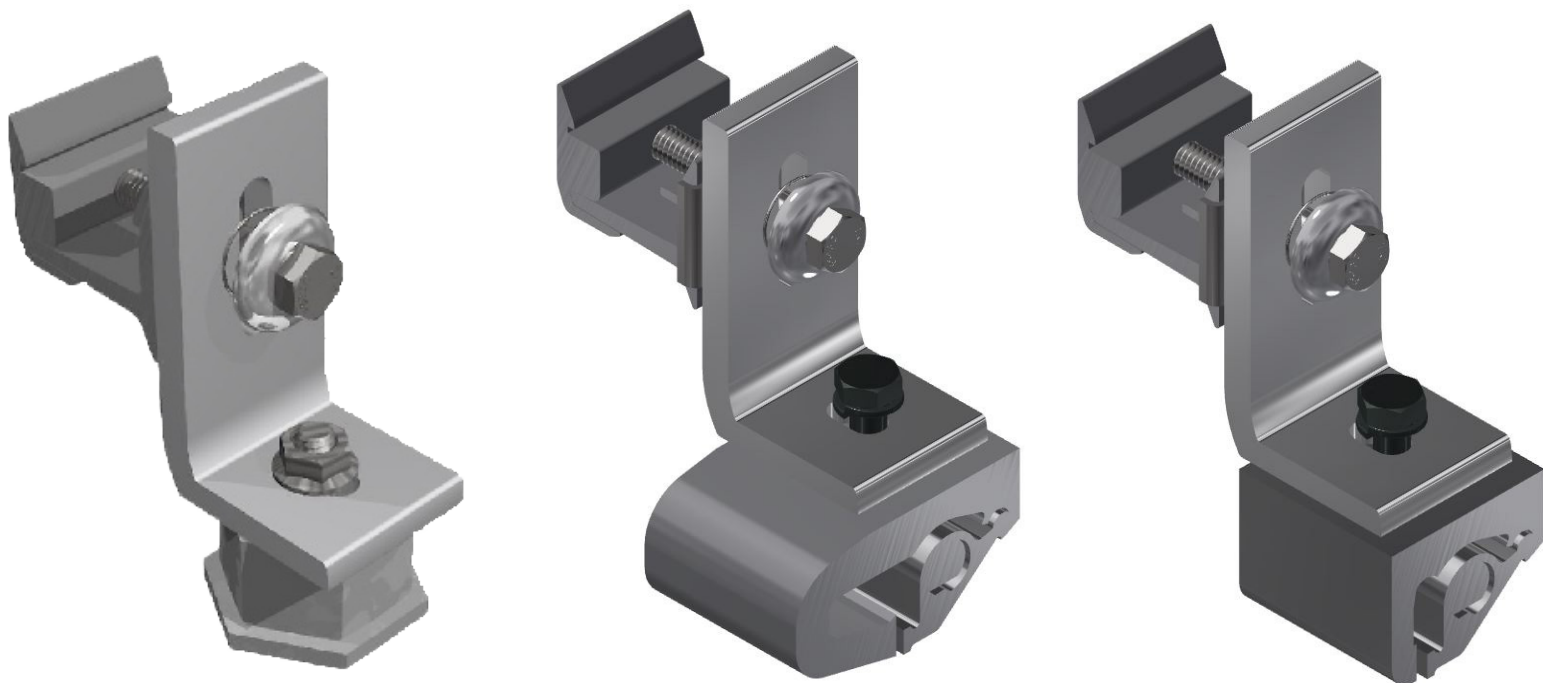


## Metal Roof Solutions

---



## The Best Attachment Methods for Metal Roofs



Single tool installation using  
a standard 1/2" socket



Fully sealed & weatherproof  
to maintain the integrity of  
the roof



The fastest & most secure  
method for mounting on  
metal roofs



Preassembled hardware to  
reduce install time

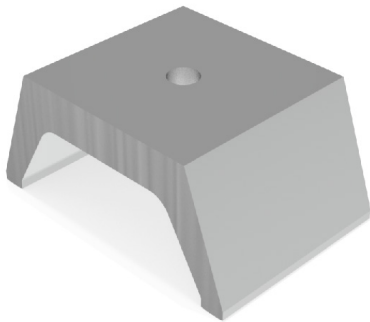
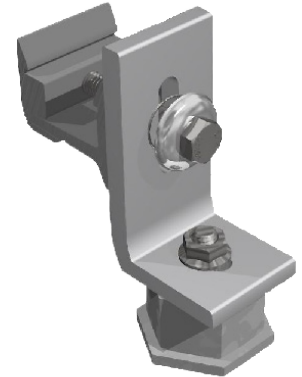
**Start Mounting Solar on Metal Roofs Today**

# SnapNrack Metal Roof Solutions

provide installers with the most intuitive method for mounting Ultra Rail and Series 100 racking to metal roofs. SnapNrack's products are the most effective way of attaching to standing seam, corrugated metal, and trapezoidal roofs.

## Metal Roof Base

- Provides a robust, self-sealing mounting base for metal roofs with a flat mounting surface
- Seals to the roof with integral EPDM rubber washer and top sealing cap
- Completed assembly finishes with L Foot attachment point

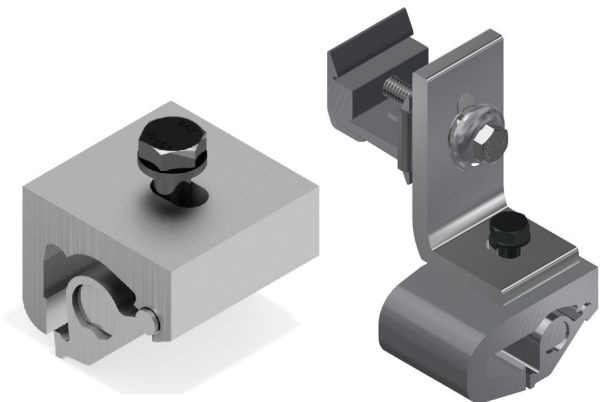


## Corrugated Straddle Block

- Allows attachment directly to a structural member covered with corrugated metal roof
- Supports the mounting system without collapsing or crushing the ridge in the metal roof material
- Attaches at the peak of corrugation, out of water channel for improved weatherproofing

## Standing Seam Clamps

- Single bolt installation of the entire mount and L Foot reduces labor compared to the competition
- Available in two models that work with multiple standing seam metal roof configurations
- Cam-lock attachment provides industry-leading pull out resistance as the clamp tightens more when being pulled



# Quality. Innovative. Superior.

SnapNrack Solar Mounting Solutions are engineered to optimize material use and labor resources and improve overall installation quality and safety.

877-732-2860

[www.snapnrack.com](http://www.snapnrack.com)

[contact@snapnrack.com](mailto:contact@snapnrack.com)

© 2022 by SnapNrack Solar Mounting Solutions. All rights reserved