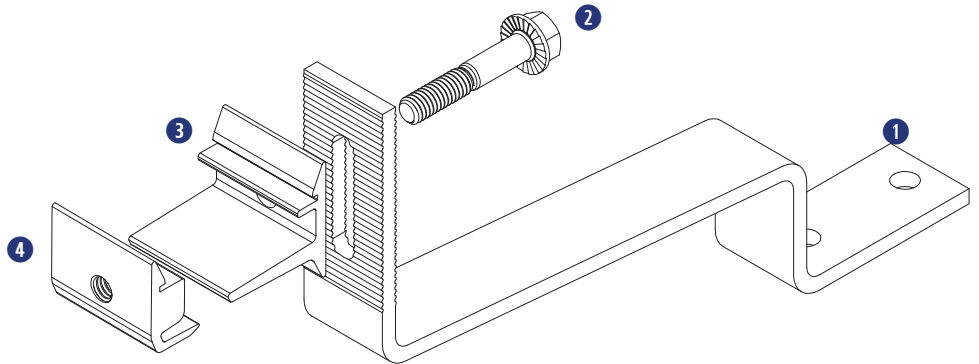


Required Tools

- Hammer or Stud Finder
- Roof Marking Crayon
- Drill with 3/16" Pilot Drill Bit
- Roof Sealant
- Torque Wrench
- Socket Wrench
- 1/2" Socket
- Flat Pry Bar
- Tape Measure

Materials Included - Ultra Rail Tile Hook F

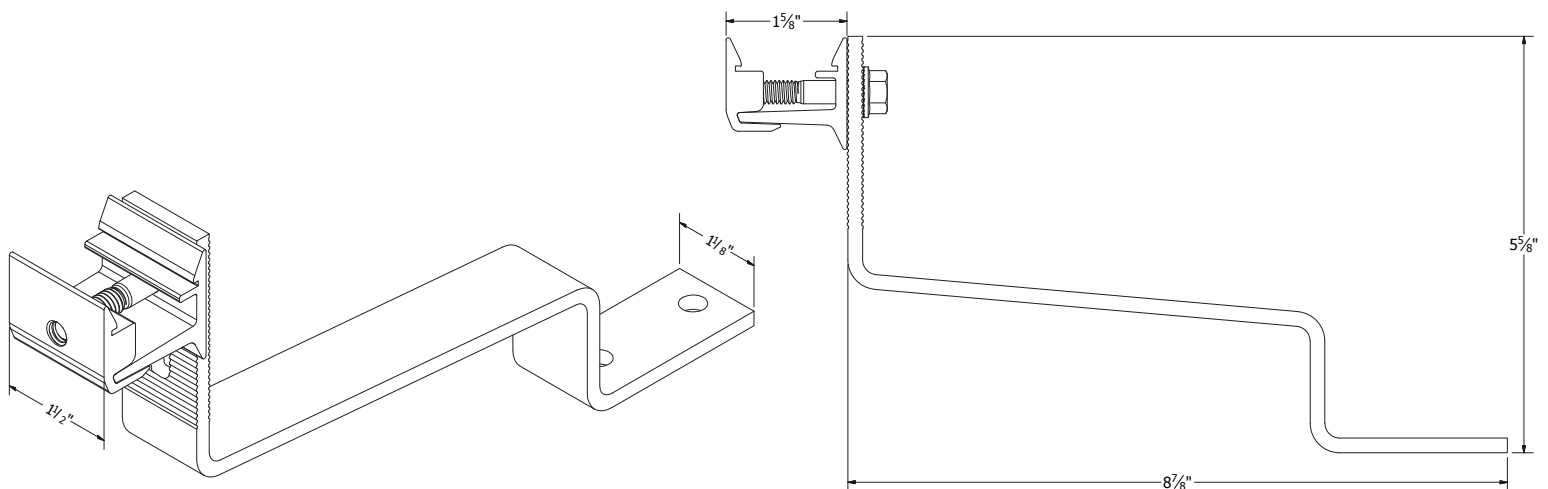
- ① (1) SnapNrack Ultra Rail Flat Tile Hook
- ② (1) 5/16"-18 x 1-3/4" SS Flange Bolt
- ③ (1) SnapNrack Ultra Mount (Thru-Hole)
- ④ (1) SnapNrack Ultra Mount (Tapped)



Other Materials Required (Not Shown)

- ① (2) 5/16" Lag Screw
- ② (2) 5/16" Washer
- ③ Flexible Flashing (when required for deck level flashing)

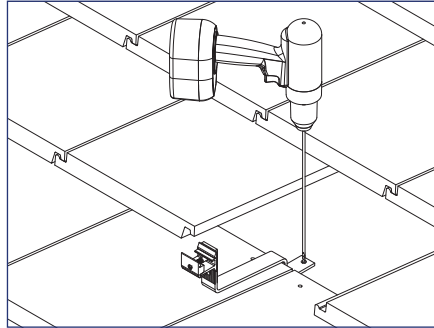
 Application Note:
Install on flat concrete tile roofs.



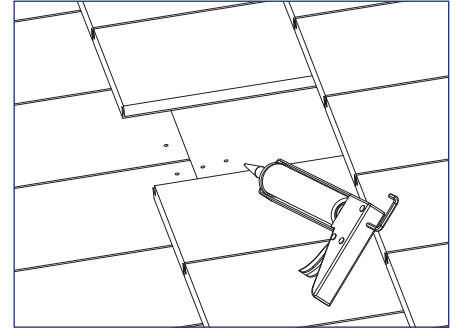
Dimensioned Ultra Rail Tile Hook F Assembly

INSTALLATION INSTRUCTIONS

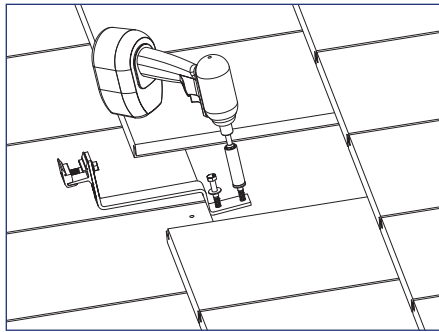
1) Using roof attachment locations drawn during system layout, remove roof tile where the roof attachment will be installed.



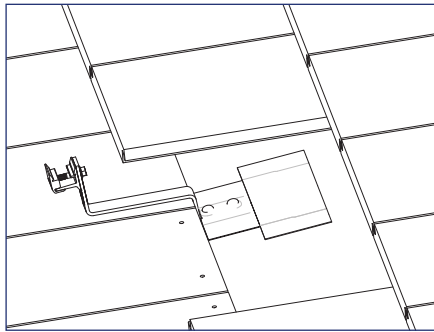
2) Align the hook over the rafter and drill two pilot holes through the roofing material into the roof framing member.



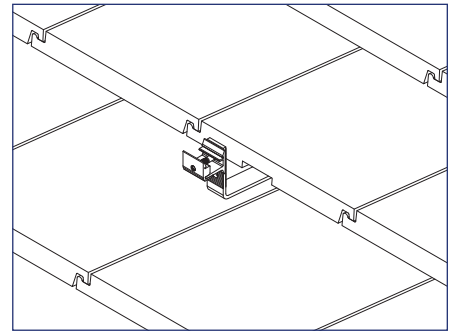
3) Apply roofing sealant to pilot holes and Tile Hook.



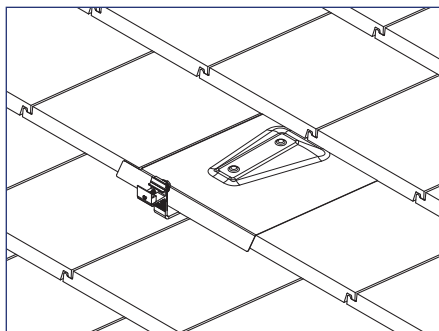
4) Attach the base with (2) 5/16" lag screws, drive lag screws for minimum 2.5" embedment into the roof framing member.



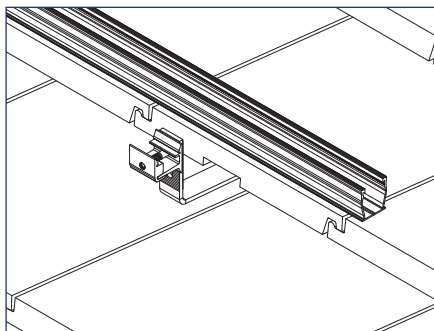
5) If deck level flashing is required, install flexible flashing per the following instructions.



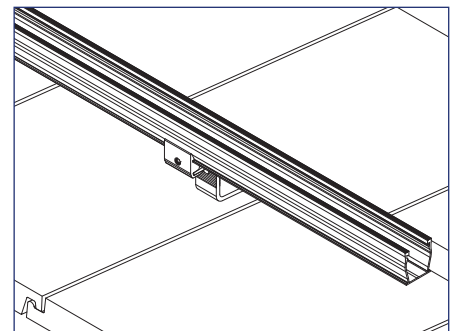
6) Replace tile



7) **OPTIONAL:** Install Tile Replacement flashing in place of roof tile over tile hook.



8) Install SnapNrack Ultra Rail directly to the Ultra Rail Mounting Hardware.

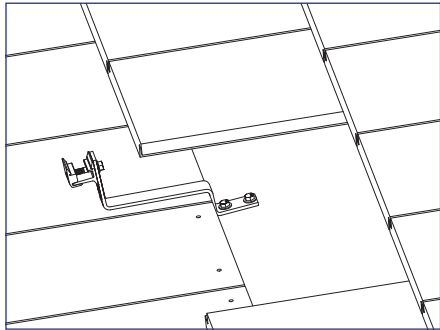


9) Level rails and tighten to 12 ft lbs.

Best Practice:

Mold or slightly trim flashing around hook to achieve desired fitment.

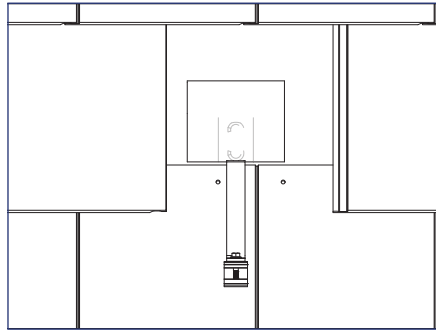
INSTALLATION INSTRUCTIONS



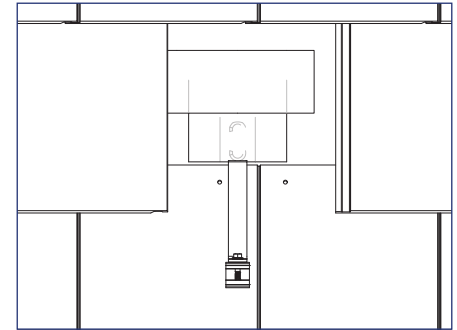
1) Prepare the underlayment surface for adhesion.

Best Practice:

The surface should be dry, clean and free of any dirt, dust or foreign matter that may prevent adhesion. Clean the surface around the Tile Replacement Base with a brush of medium-stiff bristles. If necessary, prime the surface with compatible spray or paint primer.

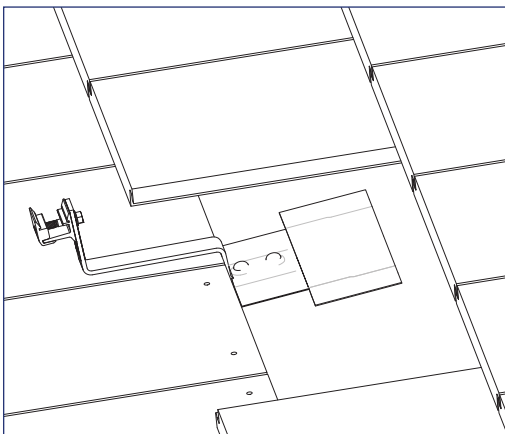


2) Peel off the backing from a 9" x 9" strip of flexible flashing. Apply the strip along the top edge of the base and center laterally. Press and roll out any creases or air bubbles with a roller to maximize contact of the flashing adhesive to 100% of the surface and base.



3) Peel off the backing and apply the second 4"x13" strip of flexible flashing along the top edge of the first strip with a 2" lap on either edge, then roll out any creases between the strip and the deck level surface.

NOTE: ALL CUTTING OR MODIFICATION OF THE FLEXIBLE FLASHING IS PROHIBITED



Install Note:

SnapNrack recommends testing underlayment surfaces for adhesion. If adhesion is found to be marginal, then an adhesive primer is recommended to ensure optimal adhesion. To apply spray adhesive primer:

1. Ensure surface is dry, clean, and free of anything that may prevent adhesion
2. Shake can of adhesive before use
3. Apply a uniform coat of adhesive to surface being treated
4. Allow surface to dry for 2 minutes (no more than 10 minutes) before applying flashing
5. Never cover wet adhesive

SnapNrack recommends using Protecto Wrap Protecto Seal 45 waterproofing membrane, or equivalent, as the flexible flashing and lap material.