

DESCRIPTION:
SNAPNRACK, TILE HOOK REPLACEMENT FLASHING, FLAT

DRAWN BY:

mwatkins

REVISION:

A

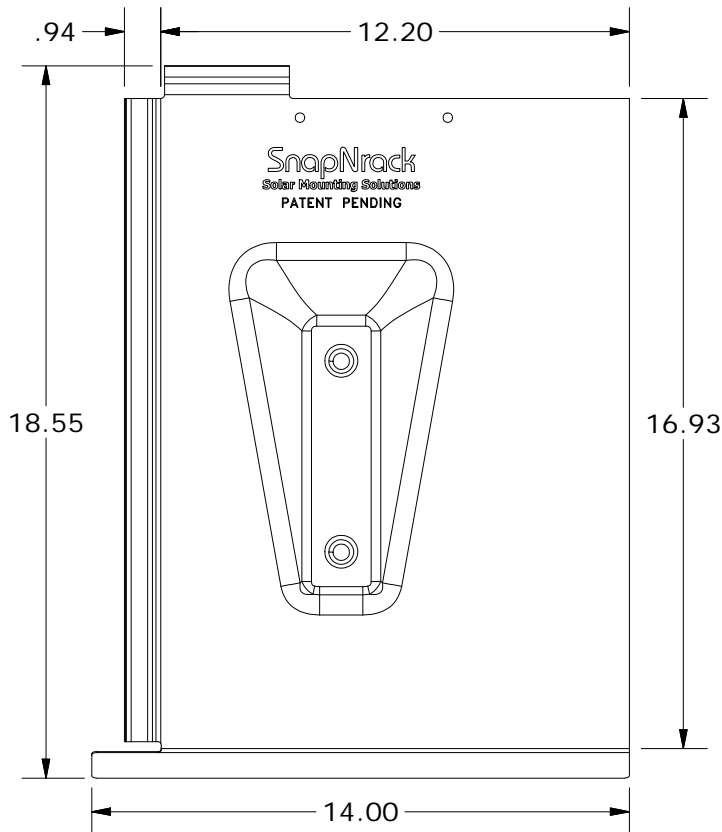
SnapNrack™
Solar Mounting Solutions

PART NUMBER(S):

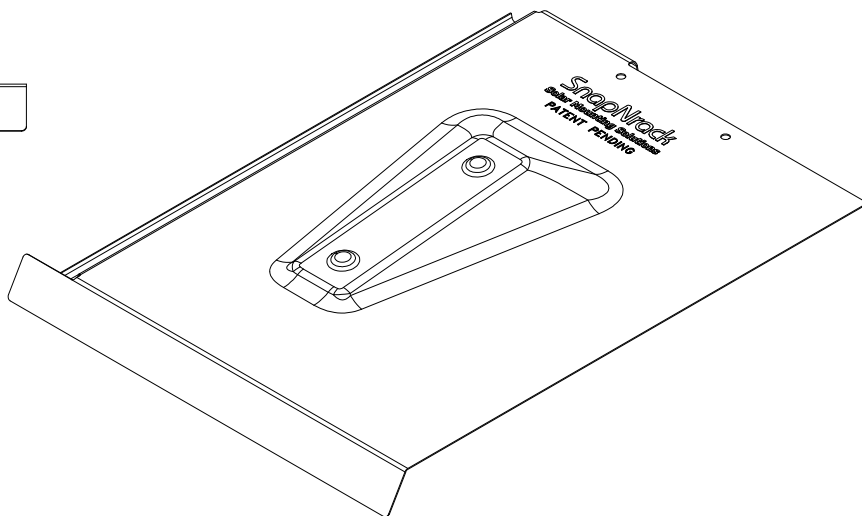
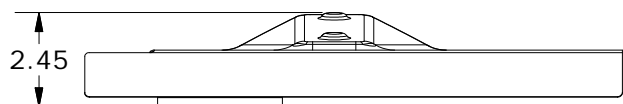
232-60055

595 MARKET STREET, 29TH FLOOR • SAN FRANCISCO, CA 94105 USA
 PHONE (415) 580-6900 • FAX (415) 580-6902

THE INFORMATION IN THIS DRAWING IS CONFIDENTIAL AND PROPRIETARY. ANY REPRODUCTION, DISCLOSURE, OR USE THEREOF IS PROHIBITED WITHOUT THE WRITTEN CONSENT OF SUNRUN SOUTH LLC.



**APPLICATION NOTE:
 FOR USE WITH TILE HOOKS**



ALL DIMENSIONS IN INCHES

MATERIALS:	DEAD SOFT ALUMINUM	OPTIONS:
DESIGN LOAD (LBS):	N/A	
ULTIMATE LOAD (LBS):	N/A	
TORQUE SPECIFICATION:	N/A LB-FT	
CERTIFICATION:	N/A	
WEIGHT (LBS):	0.82	