

DESCRIPTION:
SNAPNRACK, ULTRA RAIL STANDOFF KITS

PART NUMBER(S):
242-01257, 242-01258, 242-01259

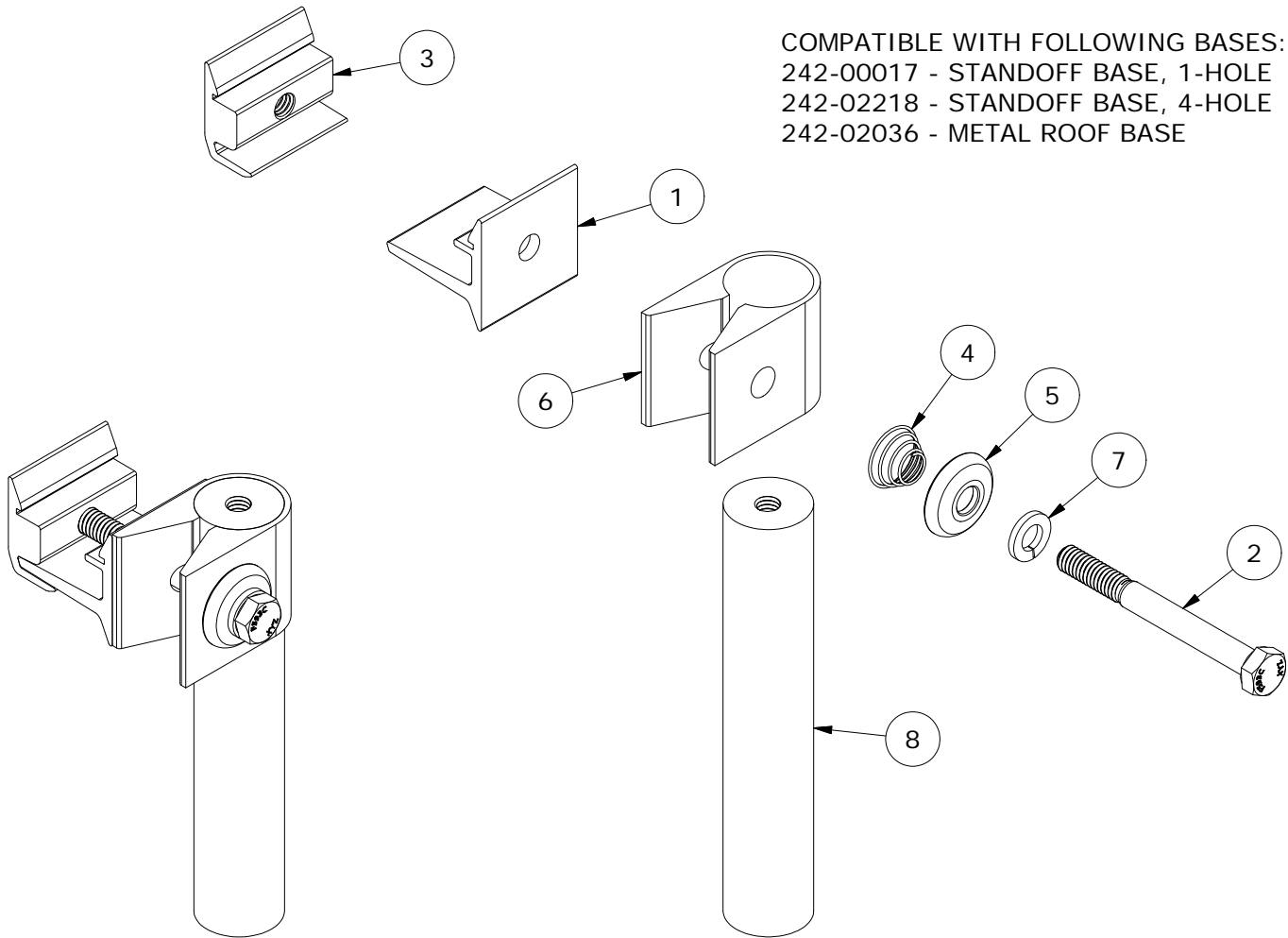
DRAWN BY:
 mwatkins

REVISION:
A

SnapNrack™
 Solar Mounting Solutions

595 MARKET STREET, 29TH FLOOR • SAN FRANCISCO, CA 94105 USA
 PHONE (415) 580-6900 • FAX (415) 580-6902

THE INFORMATION IN THIS DRAWING IS CONFIDENTIAL AND PROPRIETARY. ANY REPRODUCTION, DISCLOSURE, OR USE THEREOF IS PROHIBITED WITHOUT THE WRITTEN CONSENT OF SUNRUN SOUTH LLC.



COMPATIBLE WITH FOLLOWING BASES:
 242-00017 - STANDOFF BASE, 1-HOLE
 242-02218 - STANDOFF BASE, 4-HOLE
 242-02036 - METAL ROOF BASE

PARTS LIST		
ITEM	QTY	DESCRIPTION
1	1	SNAPNRACK, ULTRA RAIL MOUNT THRU PRC, CLEAR
2	1	5/16IN-18 X 3IN SS HCS BOLT
3	1	SNAPNRACK, ULTRA RAIL MOUNT TAPPED PRC, CLEAR
4	1	SNAPNRACK, ULTRA RAIL MOUNT SPRING
5	1	SNAPNRACK, ULTRA RAIL MOUNT SPRING CAGE
6	1	SNAPNRACK, STANDOFF CLAMP, CLEAR
7	1	5/16IN SS SPLIT LOCK WASHER
8	1	SNAPNRACK STANDOFF SHAFT, STANDARD, LENGTH VARIES

MATERIALS:	6000 SERIES ALUMINUM, STAINLESS STEEL	OPTIONS:
DESIGN LOAD (LBS):	SEE DATASHEET FOR STANDOFF BASE	5.5", 7", 8.5" LENGTHS
ULTIMATE LOAD (LBS):	SEE DATASHEET FOR STANDOFF BASE	
TORQUE SPECIFICATION:	12 LB-FT	
CERTIFICATION:	UL 2703, FILE E359313	
WEIGHT (LBS):	0.72 - 0.93	

DESCRIPTION:
SNAPNRACK, ULTRA RAIL STANDOFF KITS

PART NUMBER(S):
242-01257, 242-01258, 242-01259

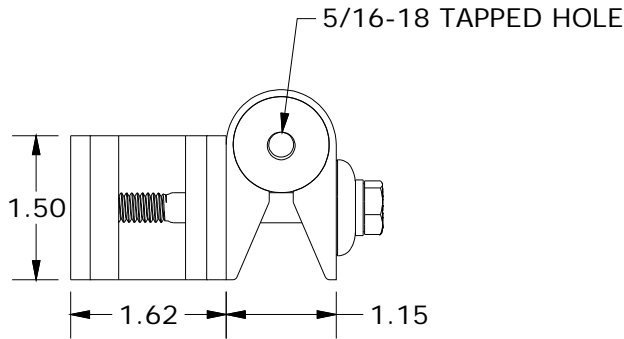
DRAWN BY:
 mwatkins

REVISION:
A

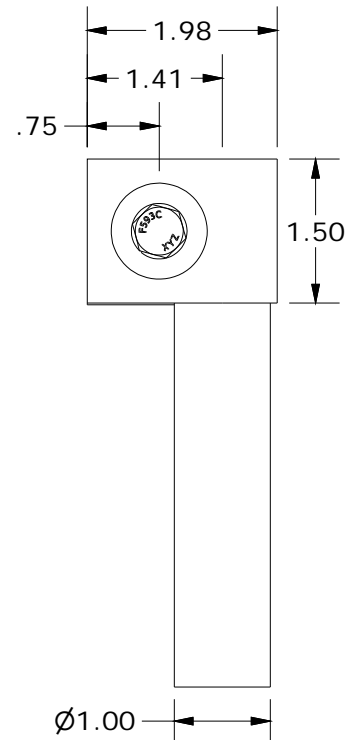
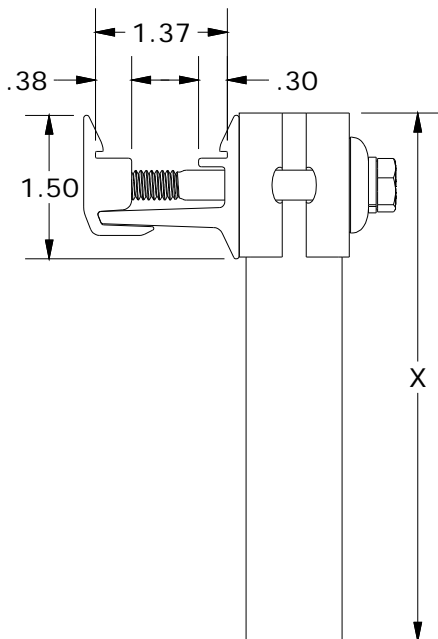


595 MARKET STREET, 29TH FLOOR • SAN FRANCISCO, CA 94105 USA
 PHONE (415) 580-6900 • FAX (415) 580-6902

THE INFORMATION IN THIS DRAWING IS CONFIDENTIAL AND PROPRIETARY. ANY REPRODUCTION, DISCLOSURE, OR USE THEREOF IS PROHIBITED WITHOUT THE WRITTEN CONSENT OF SUNRUN SOUTH LLC.



STANDOFF PROPERTIES	
SKU	STANDOFF LENGTH (X)
242-01257	5.5"
242-01258	7"
242-01259	8.5"



ALL DIMENSIONS IN INCHES