

DESCRIPTION:  
**SNAPRACK, ULTRA RAIL VARIABLE TILT  
 HARDWARE KIT**

PART NUMBER(S):  
**242-92116**

DRAWN BY:  
 mwatkins

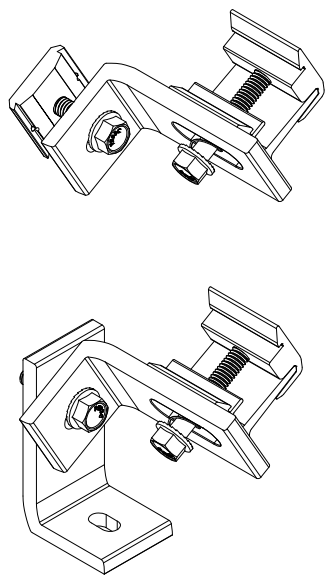
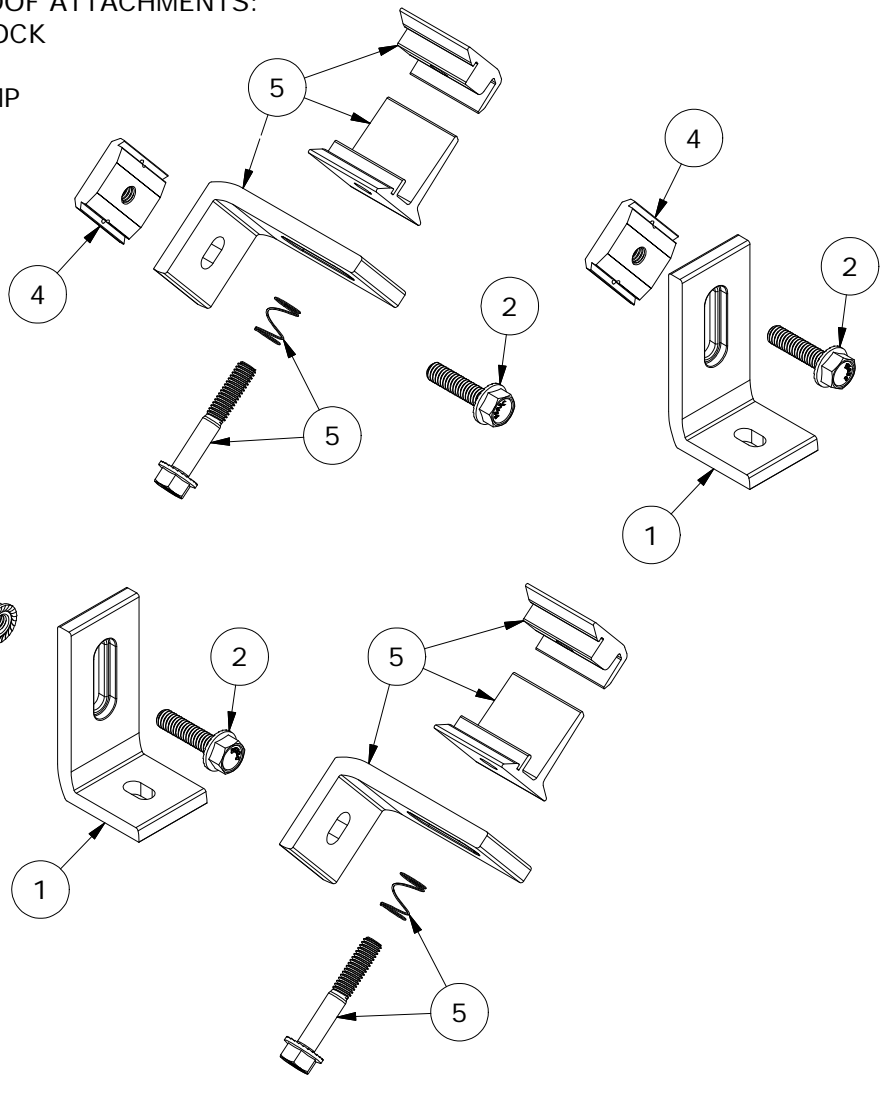
REVISION:  
**B**

**SnapNrack™**  
 Solar Mounting Solutions

595 MARKET STREET, 29TH FLOOR • SAN FRANCISCO, CA 94105 USA  
 PHONE (415) 580-6900 • FAX (415) 580-6902

THE INFORMATION IN THIS DRAWING IS CONFIDENTIAL AND PROPRIETARY. ANY REPRODUCTION, DISCLOSURE, OR USE THEREOF IS PROHIBITED WITHOUT THE WRITTEN CONSENT OF SUNRUN SOUTH LLC.

COMPATIBLE WITH FOLLOWING METAL ROOF ATTACHMENTS:  
 232-02421 - CORRUGATED STRADDLE BLOCK  
 242-02036 - METAL ROOF BASE  
 242-05000 - STANDARD BASE SEAM CLAMP  
 242-05001 - WIDE BASE SEAM CLAMP



| PARTS LIST |     |  |
|------------|-----|--|
| ITEM       | QTY | DESCRIPTION  |
| 1          | 2   | SNAPRACK, AP90 L FOOT, STEPPED, CLEAR                    |
| 2          | 3   | BOLT, FLANGED HEX, 5/16IN-18 X 1-1/4IN, SS               |
| 3          | 1   | NUT, FLANGE, SERRATED, 5/16IN-18, SS                     |
| 4          | 2   | SNAPRACK, BONDING CHANNEL NUT                            |
| 5          | 2   | SNAPRACK, ULTRA RAIL ALL PURPOSE L FOOT (90 DEG), SILVER |

|                       |                                       |          |
|-----------------------|---------------------------------------|----------|
| MATERIALS:            | 6000 SERIES ALUMINUM, STAINLESS STEEL | OPTIONS: |
| DESIGN LOAD (LBS):    | SEE ENGINEERING REPORT                |          |
| ULTIMATE LOAD (LBS):  | SEE ENGINEERING REPORT                |          |
| TORQUE SPECIFICATION: | 12 LB-FT                              |          |
| CERTIFICATION:        | UL 2703, FILE E359313                 |          |
| WEIGHT (LBS):         | 1.31                                  |          |