

DESCRIPTION:
**SNAPRACK, ULTRA RAIL VARIABLE TILT
 STANDOFF KIT**

DRAWN BY:

mwatkins

REVISION:

A

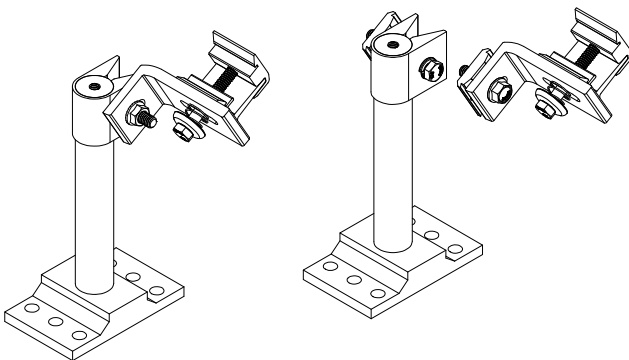
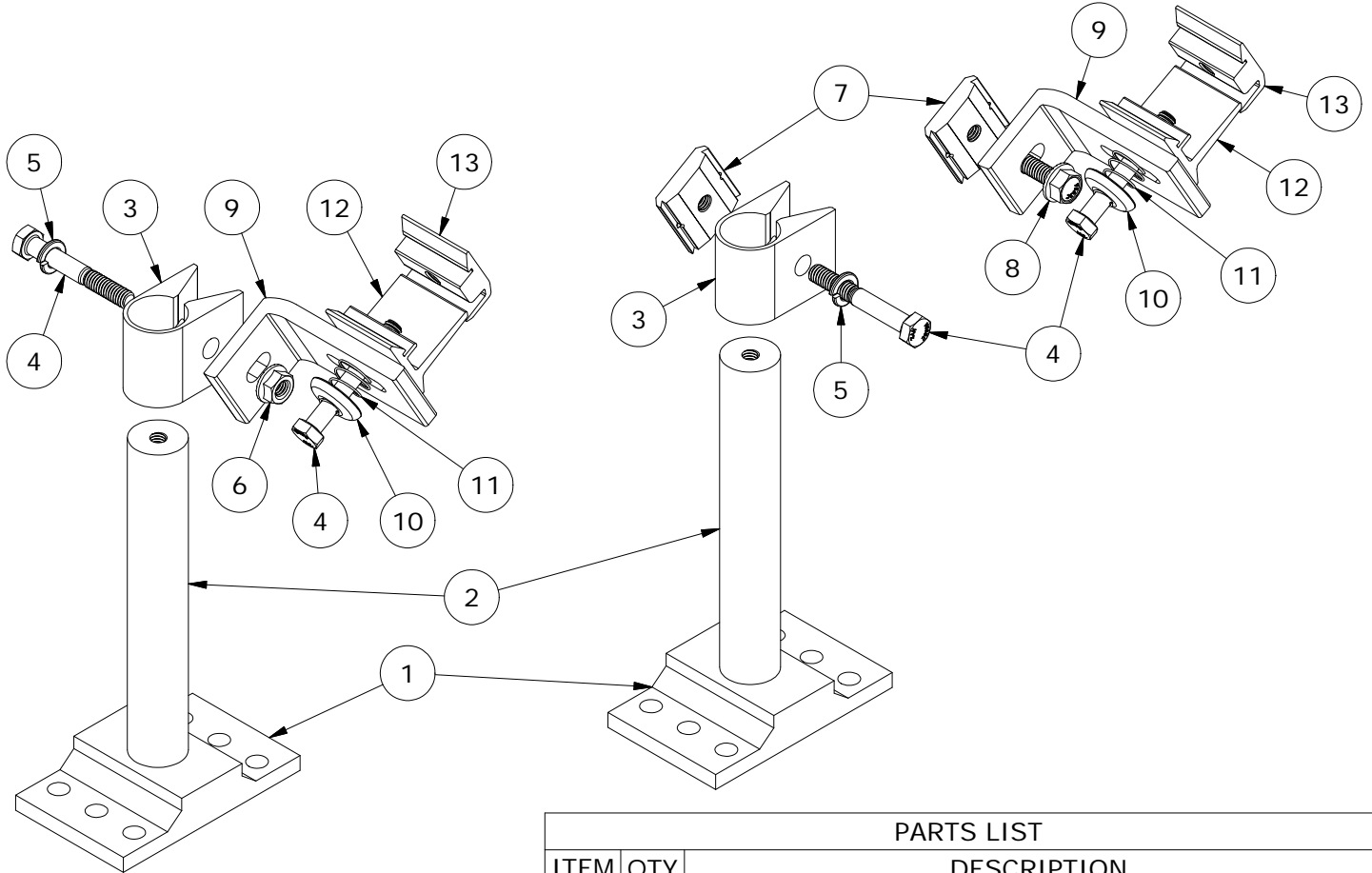
SnapNrack™
 Solar Mounting Solutions

PART NUMBER(S):

242-92117

595 MARKET STREET, 29TH FLOOR • SAN FRANCISCO, CA 94105 USA
 PHONE (415) 580-6900 • FAX (415) 580-6902

THE INFORMATION IN THIS DRAWING IS CONFIDENTIAL AND PROPRIETARY. ANY REPRODUCTION, DISCLOSURE, OR USE THEREOF IS PROHIBITED WITHOUT THE WRITTEN CONSENT OF SUNRUN SOUTH LLC.



PARTS LIST

ITEM	QTY	DESCRIPTION
1	2	SNAPRACK, HD STANDOFF BASE, 6-HOLE
2	2	SNAPRACK STANDOFF SHAFT 7IN, HD
3	2	SNAPRACK, STANDOFF CLAMP, CLEAR
4	4	5/16IN-18 X 2-1/4IN SS HCS BOLT
5	2	WASHER, LOCK, 5/16IN, SPLIT, SS
6	1	NUT, FLANGE, SERRATED, 5/16IN-18, SS
7	2	SNAPRACK, BONDING CHANNEL NUT
8	1	BOLT, FLANGED HEX, 5/16IN-18 X 1-1/4IN, SS
9	2	SNAPRACK, AP90 L FOOT PRC, CLEAR
10	2	SNAPRACK, ULTRA RAIL MOUNT SPRING CAGE
11	2	SNAPRACK, ULTRA RAIL MOUNT SPRING, SS
12	2	SNAPRACK, ULTRA RAIL MOUNT THRU PRC, CLEAR
13	2	SNAPRACK, ULTRA RAIL MOUNT TAPPED PRC, CLEAR

MATERIALS:

6000 SERIES ALUMINUM, STAINLESS STEEL

OPTIONS:

DESIGN LOAD (LBS):

SEE ENGINEERING REPORT

ULTIMATE LOAD (LBS):

SEE ENGINEERING REPORT

TORQUE SPECIFICATION:

12 LB-FT

CERTIFICATION:

UL 2703, FILE E359313

WEIGHT (LBS):

3.06