

DESCRIPTION:  
**SNAPRACK, ULTRA RAIL VARIABLE TILT  
 STANDOFF KIT**

PART NUMBER(S):  
**242-92117**

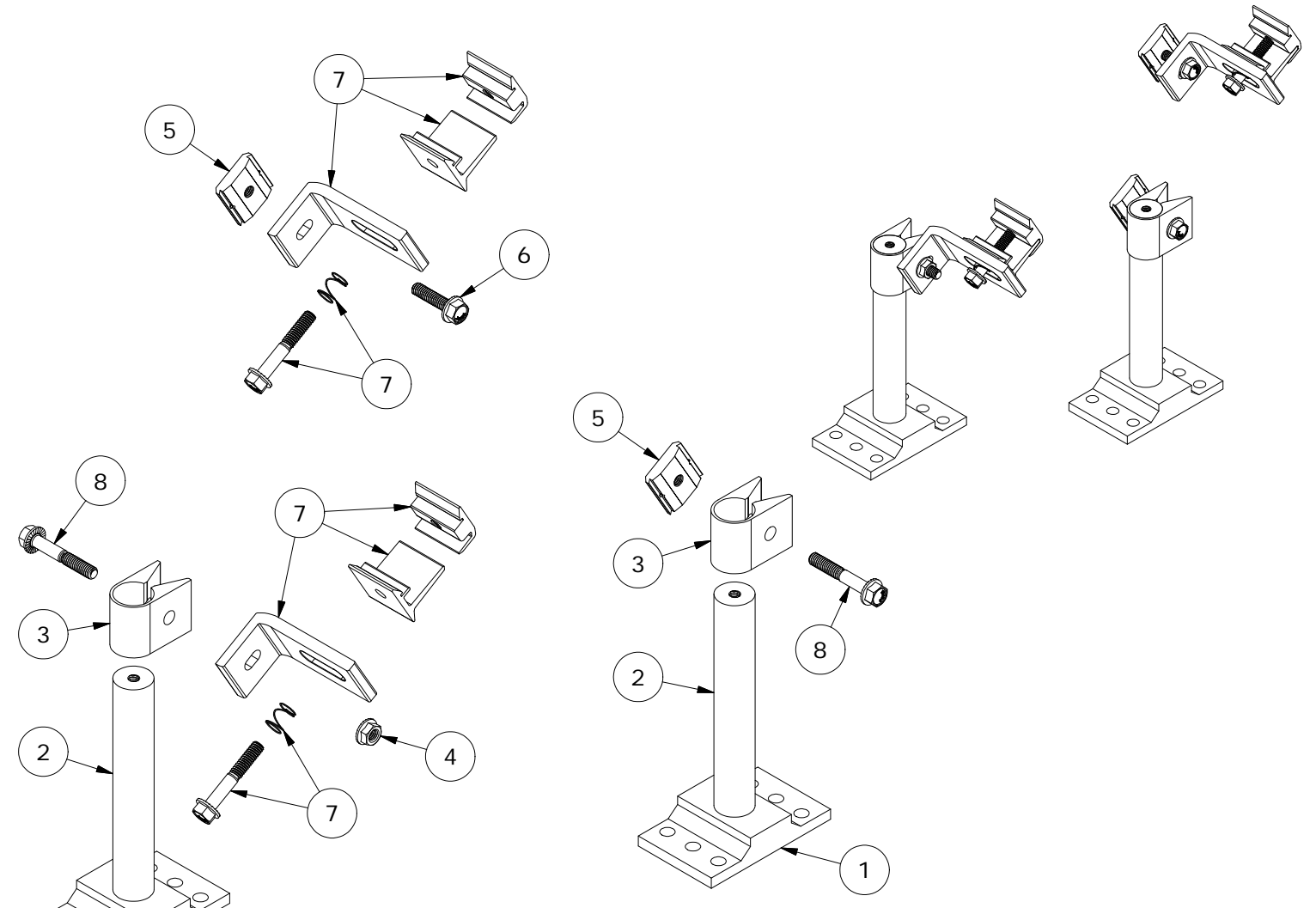
DRAWN BY:  
 mwatkins

REVISION:  
**B**

**SnapNrack™**  
 Solar Mounting Solutions

595 MARKET STREET, 29TH FLOOR • SAN FRANCISCO, CA 94105 USA  
 PHONE (415) 580-6900 • FAX (415) 580-6902

THE INFORMATION IN THIS DRAWING IS CONFIDENTIAL AND PROPRIETARY. ANY REPRODUCTION, DISCLOSURE, OR USE THEREOF IS PROHIBITED WITHOUT THE WRITTEN CONSENT OF SUNRUN SOUTH LLC.



PARTS LIST		
ITEM	QTY	DESCRIPTION
1	2	SNAPRACK, HD STANDOFF BASE, 6-HOLE
2	2	SNAPRACK STANDOFF SHAFT 7IN, HD
3	2	SNAPRACK, STANDOFF CLAMP, CLEAR
4	1	NUT, FLANGE, SERRATED, 5/16IN-18, SS
5	2	SNAPRACK, BONDING CHANNEL NUT
6	1	BOLT, FLANGED HEX, 5/16IN-18 X 1-1/4IN, SS
7	2	SNAPRACK, ULTRA RAIL ALL PURPOSE L FOOT (90 DEG), SILVER
8	2	BOLT, FLANGE, SERRATED, 5/16IN-18 X 2IN, SS

MATERIALS:	6000 SERIES ALUMINUM, STAINLESS STEEL	OPTIONS:
DESIGN LOAD (LBS):	SEE ENGINEERING REPORT	
ULTIMATE LOAD (LBS):	SEE ENGINEERING REPORT	
TORQUE SPECIFICATION:	12 LB-FT	
CERTIFICATION:	UL 2703, FILE E359313	
WEIGHT (LBS):	3.05	