

DESCRIPTION:
**SNAPNRACK, TDS, TILE HOOK REPLACEMENT
 FLASHING, S**

DOC NUMBER:

SnapNrack®

PART NUMBER(S):

232-60056

DRAWN BY:

H.WULFEKOETTER

SUNRUN INSTALLATION SERVICES INC.

REV:

DATE:

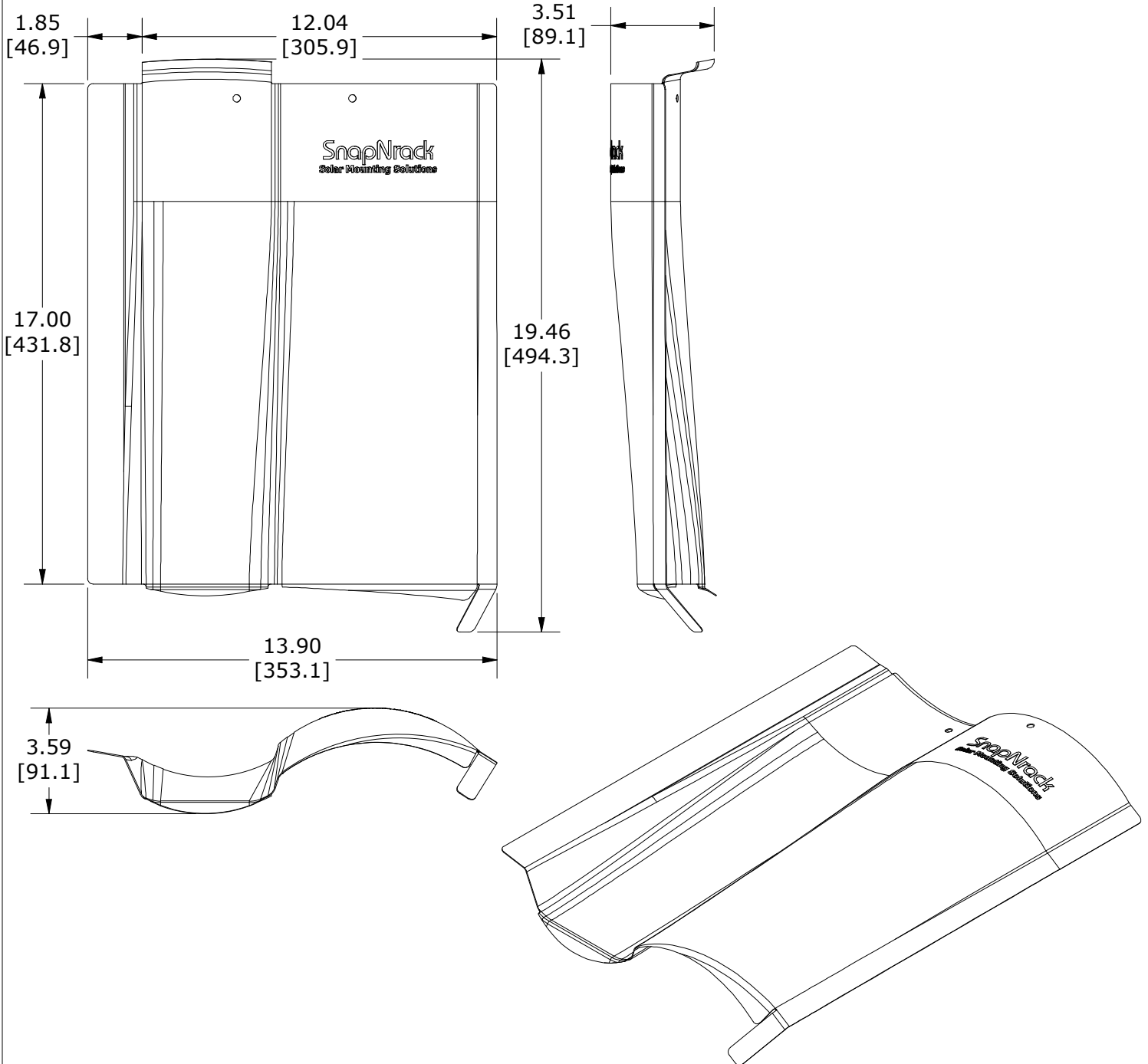
225 BUSH STREET, SUITE 1400 • SAN FRANCISCO, CA 94104 USA
 PHONE (877) 732-2860 • CONTACT@SNAPNRACK.COM

C

1/20/2023

THE INFORMATION IN THIS DRAWING IS CONFIDENTIAL AND PROPRIETARY. ANY
 REPRODUCTION, DISCLOSURE, OR USE THEREOF IS PROHIBITED WITHOUT THE
 WRITTEN CONSENT OF SUNRUN SOUTH LLC.

UNITS: IN, LB, DEG [MM, KG, DEG] SHEET: 1:1



MATERIALS:	DEAD SOFT ALUMINUM
DESIGN LOAD (LBS):	N/A
ULTIMATE LOAD (LBS):	N/A
TORQUE SPECIFICATION:	N/A FT-LBS
CERTIFICATION:	N/A
WEIGHT (LBS):	0.86