

DESCRIPTION:  
**SNAPNRACK, TDS, ULTRA RAIL TILT STANDOFF  
 KITS**

DOC NUMBER:  
 SNR-DC-01375

**SnapNrack®**

PART NUMBER(S):

242-92106, 242-92107, 242-92108, 242-92109

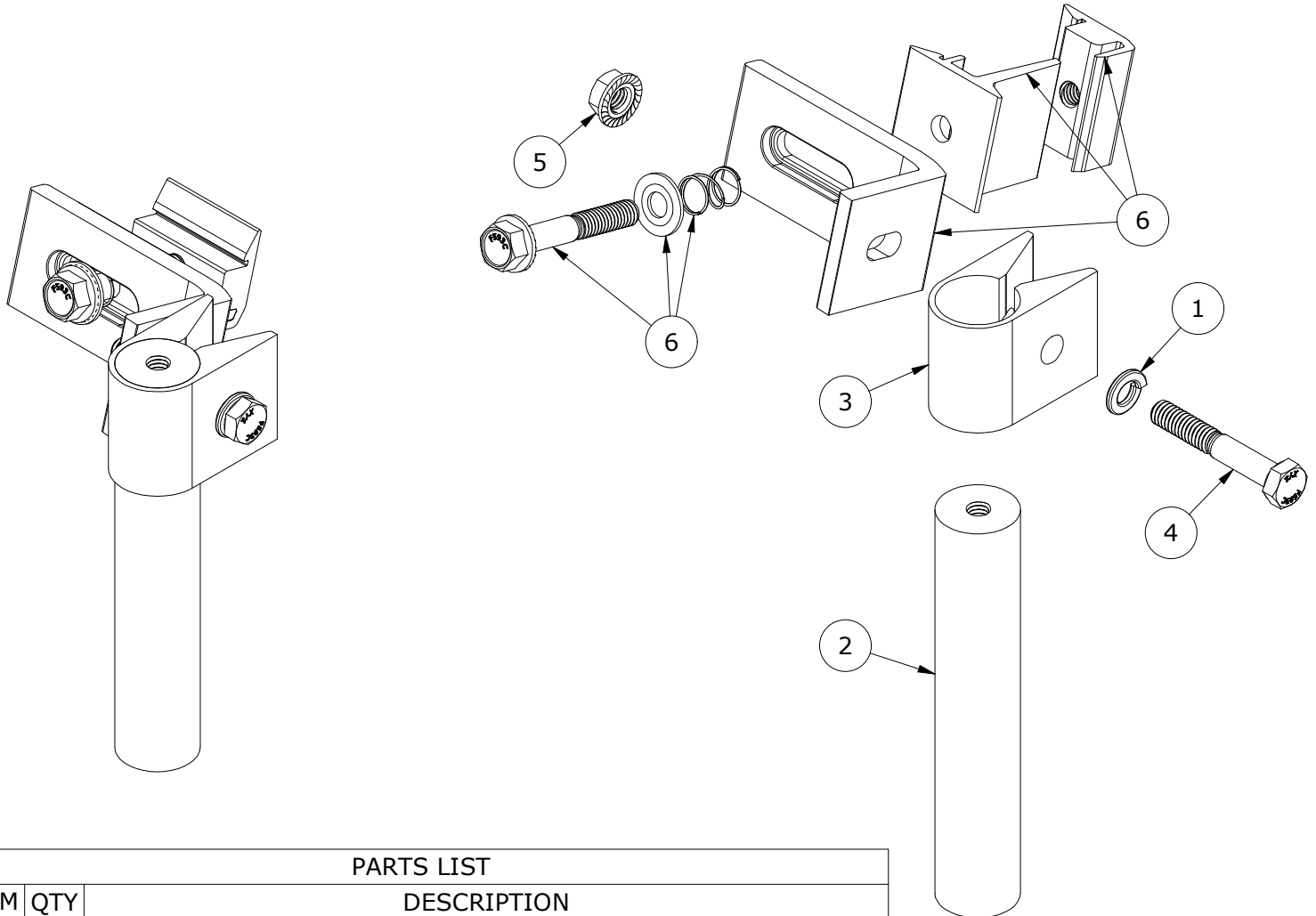
DRAWN BY:  
 H.WULFEKOETTER

REV: **C**      DATE:  
 1/24/2023

SUNRUN INSTALLATION SERVICES INC.  
 225 BUSH STREET, SUITE 1400 • SAN FRANCISCO, CA 94104 USA  
 PHONE (877) 732-2860 • CONTACT@SNAPNRACK.COM  
THE INFORMATION IN THIS DRAWING IS CONFIDENTIAL AND PROPRIETARY. ANY REPRODUCTION, DISCLOSURE, OR USE THEREOF IS PROHIBITED WITHOUT THE WRITTEN CONSENT OF SUNRUN SOUTH LLC.

UNITS: IN, LB, DEG [MM, KG, DEG]      SHEET: 1:2

COMPATIBLE WITH FOLLOWING BASES:  
 242-00017 - STANDOFF BASE, 1-HOLE  
 242-02218 - STANDOFF BASE, 4-HOLE  
 242-02036 - METAL ROOF BASE



**PARTS LIST**

ITEM	QTY	DESCRIPTION
1	1	5/16IN SS SPLIT LOCK WASHER
2	1	SNAPNRACK STANDOFF SHAFT, STANDARD, LENGTH VARIES
3	1	SNAPNRACK STANDOFF CLAMP CLEAR
4	1	5/16IN-18 X 2IN SS HCS BOLT
5	1	NUT, FLANGE, SERRATED, 5/16IN-18, SS
6	1	SNAPNRACK, ULTRA RAIL ALL PURPOSE L FOOT (90 DEG), SILVER

MATERIALS: 6000 SERIES ALUMINUM, STAINLESS STEEL

DESIGN LOAD (LBS): SEE DATASHEET FOR BASE

ULTIMATE LOAD (LBS): SEE DATASHEET FOR BASE

TORQUE SPECIFICATION: 12 FT-LBS

CERTIFICATION: UL 2703, FILE E359313

WEIGHT (LBS): 0.94 - 2.19

DESCRIPTION:  
**SNAPNRACK, TDS, ULTRA RAIL TILT STANDOFF KITS**

DOC NUMBER:  
 SNR-DC-01375

SnapNrack®

PART NUMBER(S):

242-92106, 242-92107, 242-92108, 242-92109

DRAWN BY:  
 H.WULFEKOETTER

SUNRUN INSTALLATION SERVICES INC.

REV: **C**      DATE: 1/24/2023

225 BUSH STREET, SUITE 1400 • SAN FRANCISCO, CA 94104 USA  
 PHONE (877) 732-2860 • CONTACT@SNAPNRACK.COM  
 THE INFORMATION IN THIS DRAWING IS CONFIDENTIAL AND PROPRIETARY. ANY REPRODUCTION, DISCLOSURE, OR USE THEREOF IS PROHIBITED WITHOUT THE WRITTEN CONSENT OF SUNRUN SOUTH LLC.

UNITS: IN, LB, DEG [MM, KG, DEG]

SHEET: 2:2

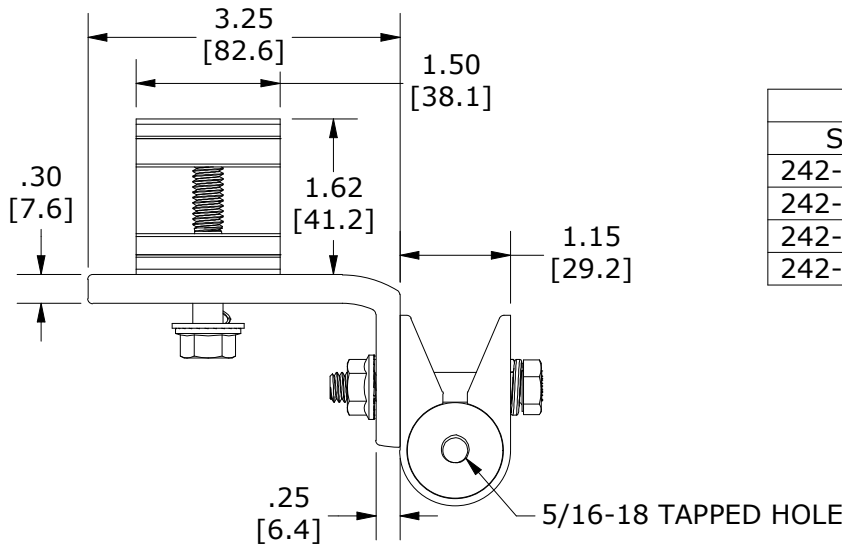


TABLE	
SKU	STANDOFF LENGTH (X)
242-92106	5.5"
242-92107	10"
242-92108	14"
242-92109	23"

