

DESCRIPTION:
SNAPNRACK, RL UNIVERSAL, MOUNT

PART NUMBER(S):
242-02155

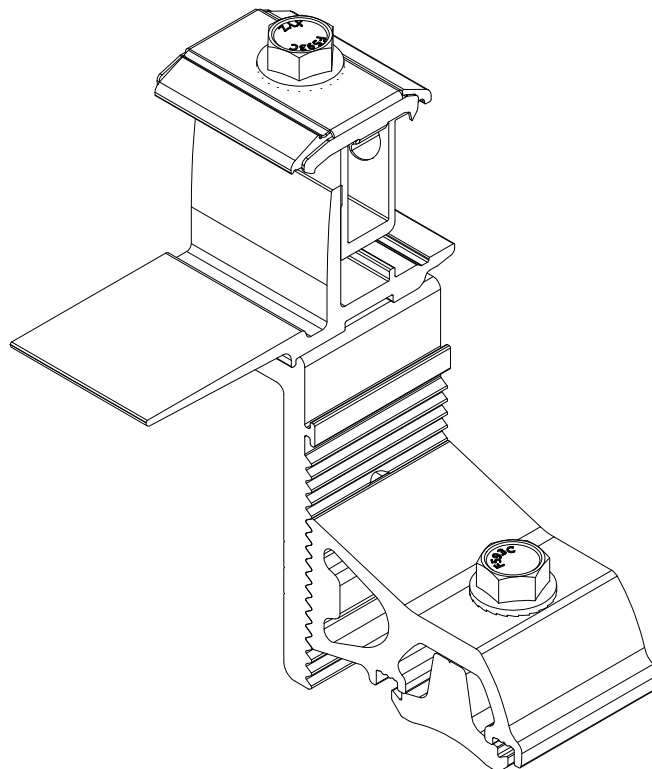
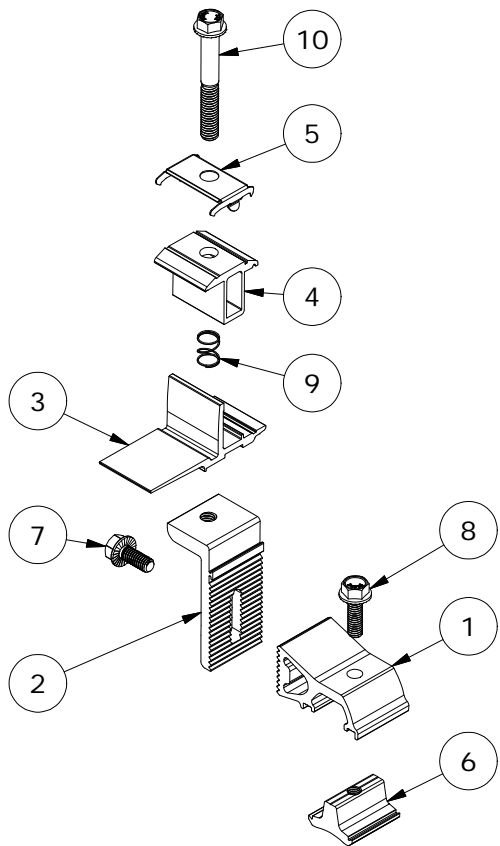
DRAWN BY:
 mwatkins

REVISION:
A

SnapNrack™
 Solar Mounting Solutions

595 MARKET STREET, 29TH FLOOR • SAN FRANCISCO, CA 94105 USA
 PHONE (415) 580-6900 • FAX (415) 580-6902

THE INFORMATION IN THIS DRAWING IS CONFIDENTIAL AND PROPRIETARY. ANY REPRODUCTION, DISCLOSURE, OR USE THEREOF IS PROHIBITED WITHOUT THE WRITTEN CONSENT OF SUNRUN SOUTH LLC.



PARTS LIST		
ITEM	QTY	DESCRIPTION
1	1	SNAPNRACK, RL UNIVERSAL, RISER, MILL
2	1	SNAPNRACK, RL UNIVERSAL, LEVELER, MILL
3	1	SNAPNRACK, RL UNIVERSAL, MOUNT BOTTOM, MILL
4	1	SNAPNRACK, RL UNIVERSAL, MOUNT TOP, BLACK
5	1	SNAPNRACK, RL UNIVERSAL, BONDING CLIP
6	1	SNAPNRACK, DROP IN/ROCK IN CHANNEL NUT
7	1	BOLT, FLANGE, 5/16IN-18 X 3/4IN, CLEAR, SS
8	1	BOLT, FLANGE, SERRATED, 5/16IN-18 X 1IN, SS
9	1	SNAPNRACK, RL UNIVERSAL, MOUNT SPRING, SS
10	1	BOLT, FLANGE, SERRATED, 3/8IN-16 X 2-3/4IN, 1/2IN TRIM HEAD, 1.2IN THREAD, BLACK, SS

MATERIALS:	6000 SERIES ALUMINUM, STAINLESS STEEL	OPTIONS:
DESIGN LOAD (LBS):	623 UP, 674 DOWN, 505 SIDE	
ULTIMATE LOAD (LBS):	N/A	
TORQUE SPECIFICATION:	12 LB-FT	
CERTIFICATION:	UL 2703, FILE E359313	
WEIGHT (LBS):	0.73	

DESCRIPTION:

SNAPNRACK, RL UNIVERSAL, MOUNT

DRAWN BY:

mwatkins

REVISION:

A

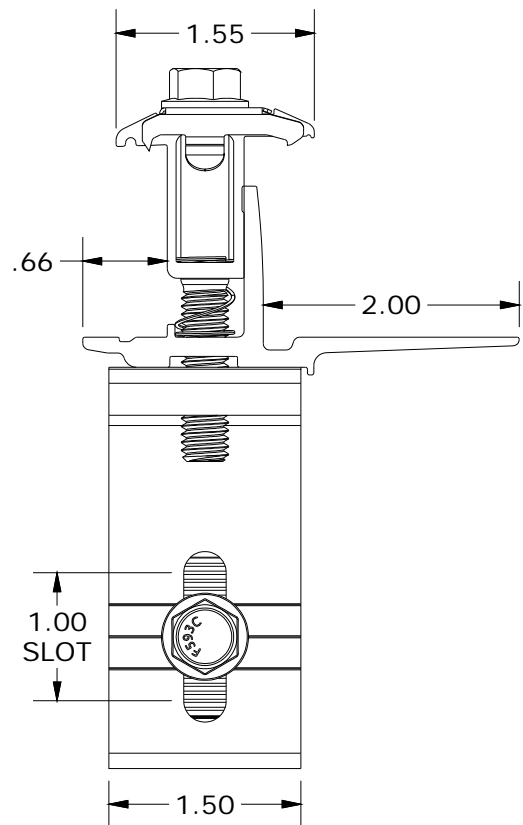
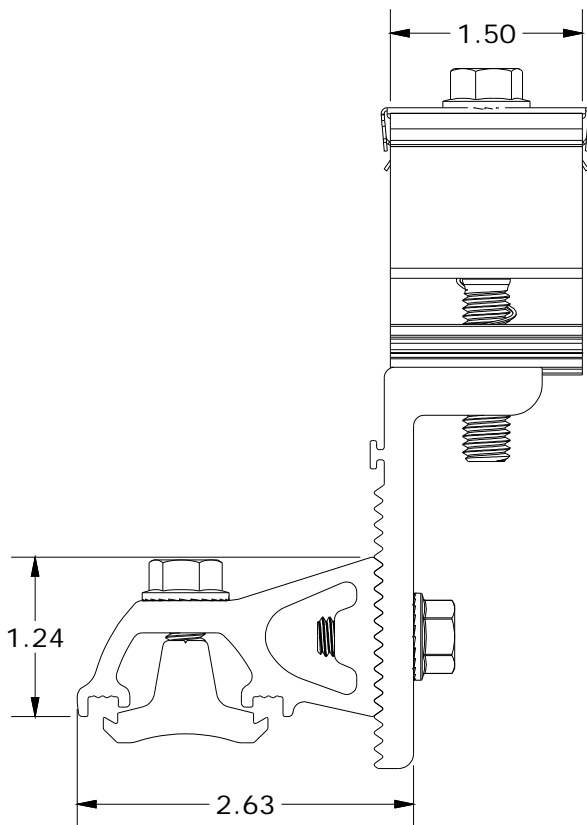
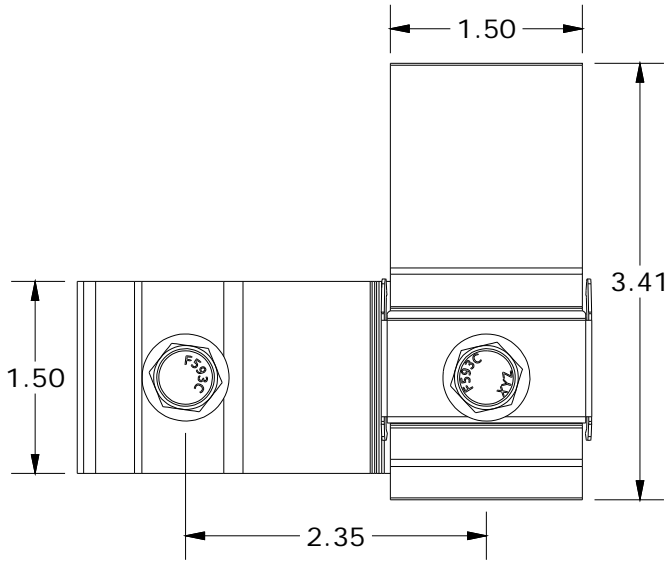
SnapNrack™
Solar Mounting Solutions

PART NUMBER(S):

242-02155

595 MARKET STREET, 29TH FLOOR • SAN FRANCISCO, CA 94105 USA
PHONE (415) 580-6900 • FAX (415) 580-6902

THE INFORMATION IN THIS DRAWING IS CONFIDENTIAL AND PROPRIETARY. ANY REPRODUCTION, DISCLOSURE, OR USE THEREOF IS PROHIBITED WITHOUT THE WRITTEN CONSENT OF SUNRUN SOUTH LLC.



ALL DIMENSIONS IN INCHES