

DESCRIPTION:
SNAPNRACK, RL UNIVERSAL, RIDGE MOUNT

PART NUMBER(S):
242-02157

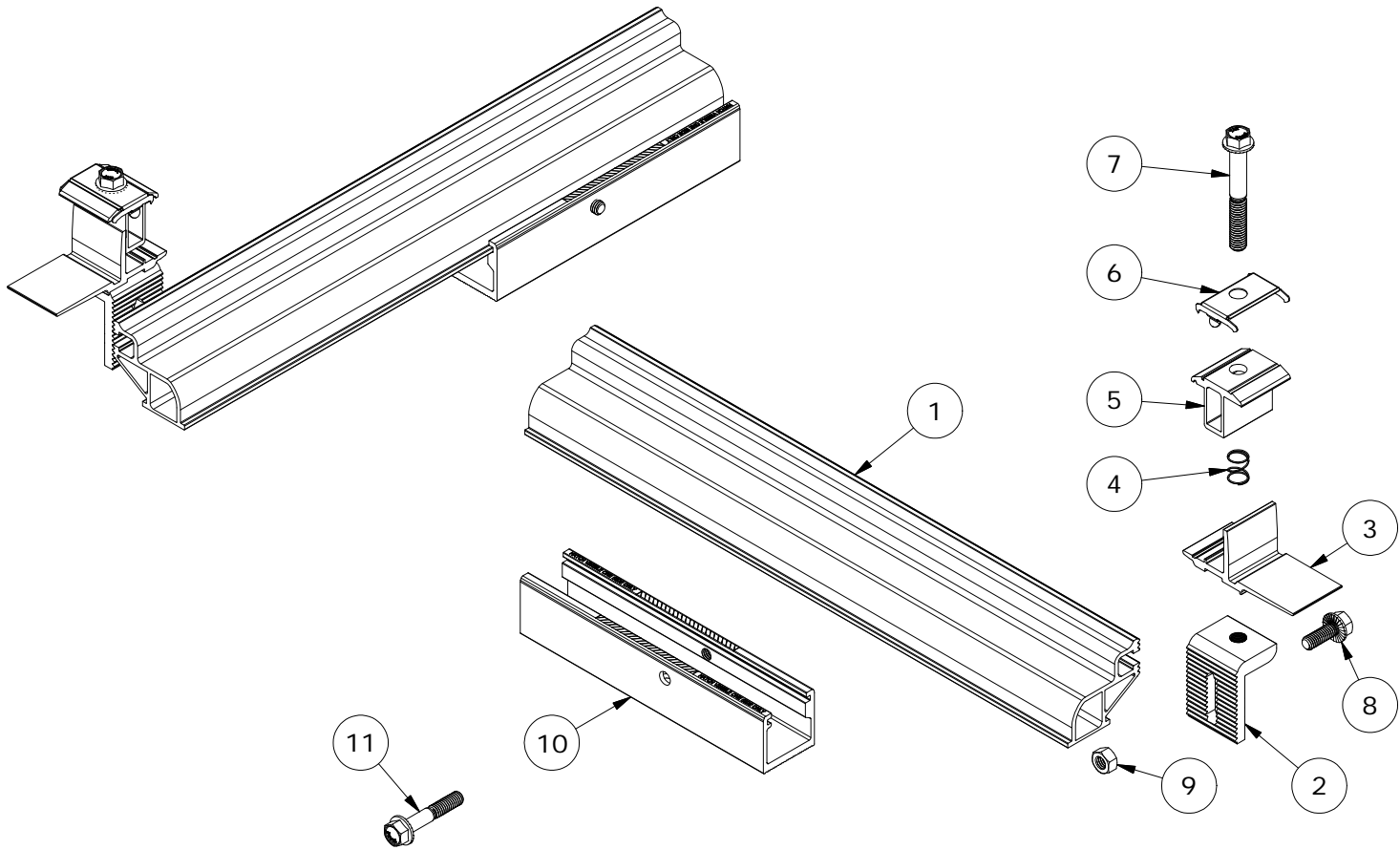
DRAWN BY:
 mwatkins

REVISION:
A

SnapNrack™
 Solar Mounting Solutions

595 MARKET STREET, 29TH FLOOR • SAN FRANCISCO, CA 94105 USA
 PHONE (415) 580-6900 • FAX (415) 580-6902

THE INFORMATION IN THIS DRAWING IS CONFIDENTIAL AND PROPRIETARY. ANY REPRODUCTION, DISCLOSURE, OR USE THEREOF IS PROHIBITED WITHOUT THE WRITTEN CONSENT OF SUNRUN SOUTH LLC.



PARTS LIST

ITEM	QTY	DESCRIPTION
1	1	SNAPNRACK, RL UNIVERSAL, RIDGE MOUNT EXTENSION, 16-3/4IN, MILL
2	1	SNAPNRACK, RL UNIVERSAL, RIDGE MOUNT LEVELER, MILL
3	1	SNAPNRACK, RL UNIVERSAL, MOUNT BOTTOM, MILL
4	1	SNAPNRACK, RL UNIVERSAL, MOUNT SPRING, SS
5	1	SNAPNRACK, RL UNIVERSAL, MOUNT TOP, BLACK
6	1	SNAPNRACK, RL UNIVERSAL, BONDING CLIP
7	1	BOLT, FLANGE, SERRATED, 3/8IN-16 X 2-3/4IN, 1/2IN TRIM HEAD, 1.2IN THREAD, BLACK, SS
8	1	BOLT, FLANGE, SERRATED, 5/16IN-18 X 7/8IN, SS
9	1	NUT, FULL HEX, 5/16IN-18, FLAT, SS
10	1	SNAPNRACK, RL UNIVERSAL, RIDGE MOUNT TRACK, 7-1/2IN, MILL
11	1	BOLT, FLANGE, SERRATED, 5/16IN-18 X 1-3/4IN, SS

MATERIALS:	6000 SERIES ALUMINUM, STAINLESS STEEL	OPTIONS:
DESIGN LOAD (LBS):	311 UP, 337 DOWN, 252 SIDE	
ULTIMATE LOAD (LBS):	N/A	
TORQUE SPECIFICATION:	12 LB-FT	
CERTIFICATION:	UL 2703, FILE E359313	
WEIGHT (LBS):	2.36	

DESCRIPTION:
SNAPRACK, RL UNIVERSAL, RIDGE MOUNT

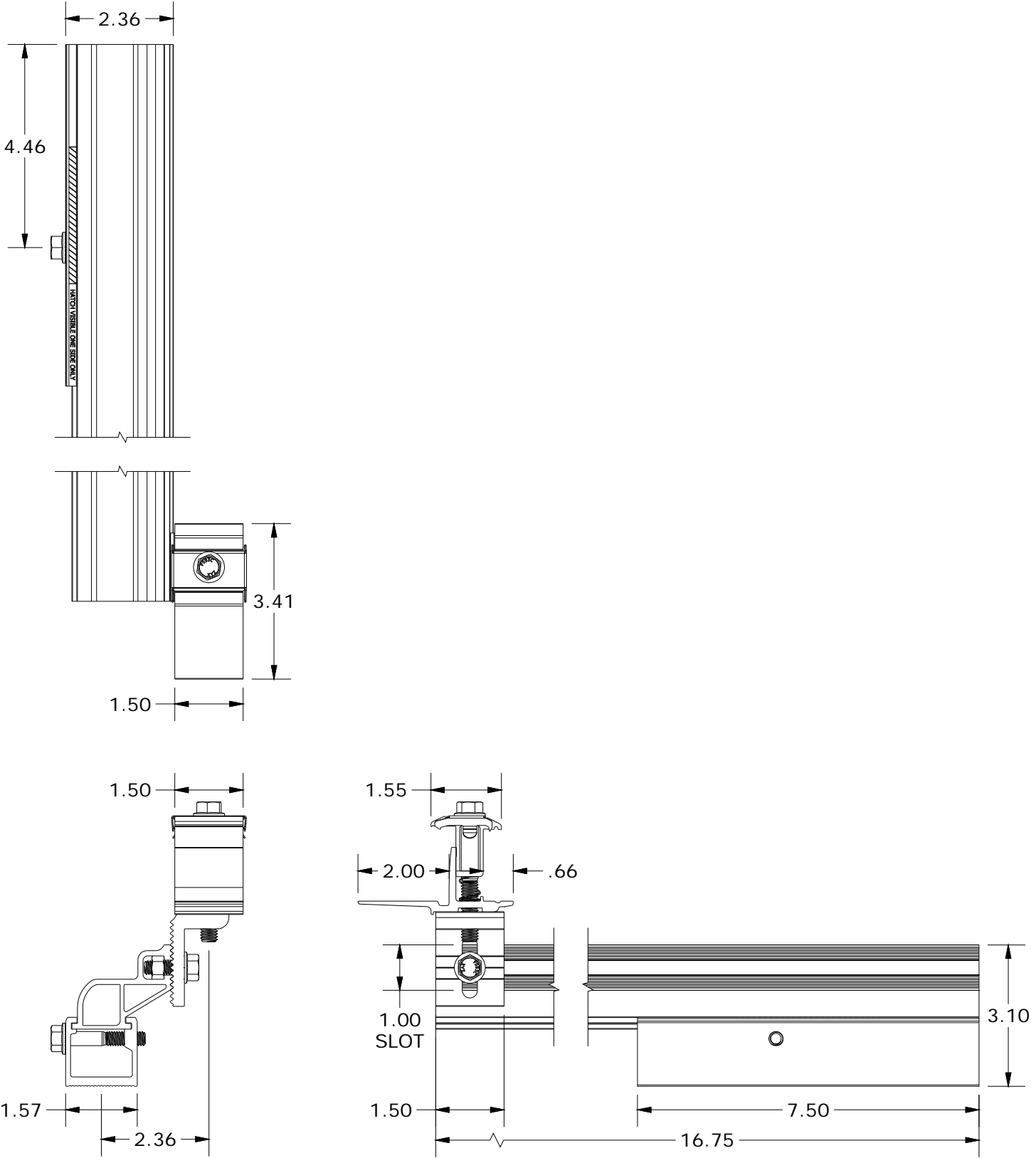
DRAWN BY:
 mwatkins



PART NUMBER(S):
242-02157

REVISION:
A

595 MARKET STREET, 29TH FLOOR • SAN FRANCISCO, CA 94105 USA
 PHONE (415) 580-6900 • FAX (415) 580-6902
 THE INFORMATION IN THIS DRAWING IS CONFIDENTIAL AND PROPRIETARY. ANY REPRODUCTION, DISCLOSURE, OR USE THEREOF IS PROHIBITED WITHOUT THE WRITTEN CONSENT OF SUNRUN SOUTH LLC.



ALL DIMENSIONS IN INCHES