

DESCRIPTION:
**SNAPNRACK, ULTRA RAIL SIMPLE TILT BACK LEG
 10 DEG PORTRAIT**

DRAWN BY:

mwatkins

SnapNrack™
Solar Mounting Solutions

PART NUMBER(S):

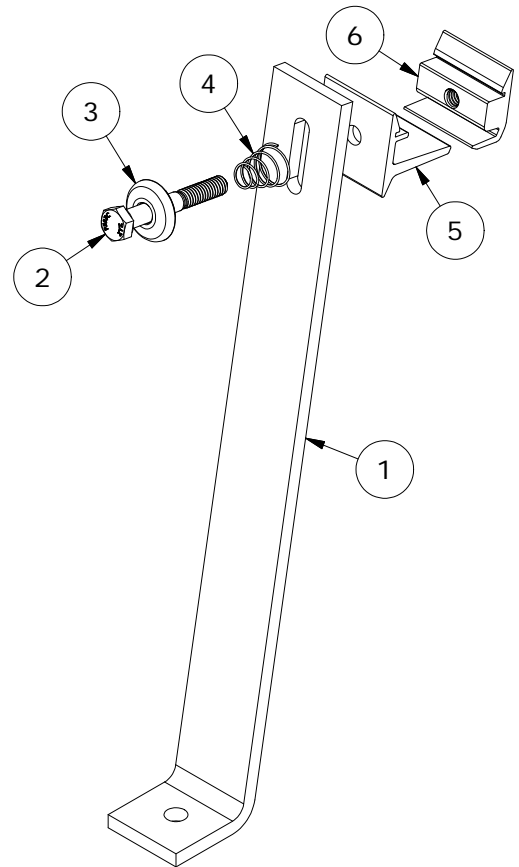
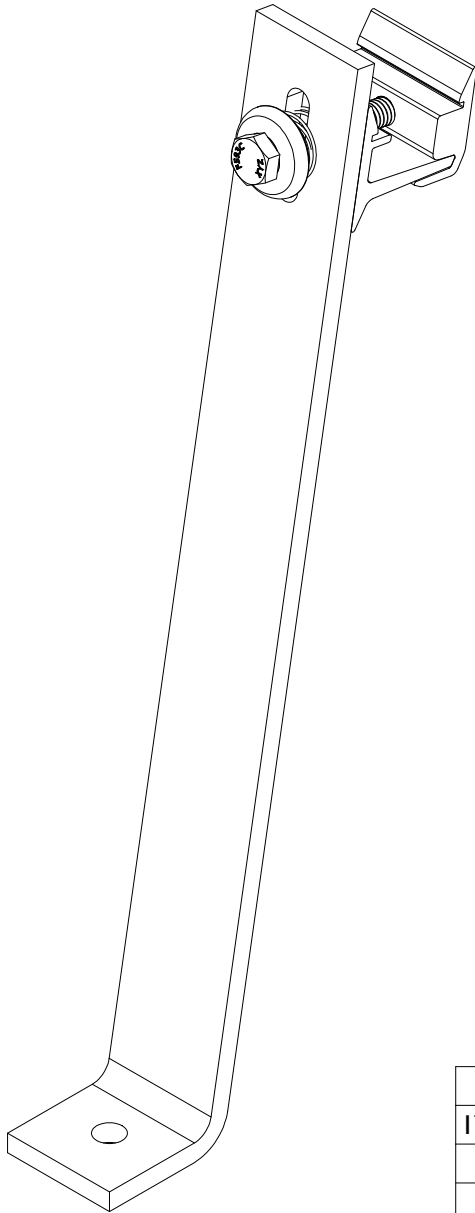
242-03215

REVISION:

A

595 MARKET STREET, 29TH FLOOR • SAN FRANCISCO, CA 94105 USA
 PHONE (415) 580-6900 • FAX (415) 580-6902

THE INFORMATION IN THIS DRAWING IS CONFIDENTIAL AND PROPRIETARY. ANY REPRODUCTION, DISCLOSURE, OR USE THEREOF IS PROHIBITED WITHOUT THE WRITTEN CONSENT OF SUNRUN SOUTH LLC.



NOTE:
 ALSO KNOWN AS TILT LEG PLUS

PARTS LIST		
ITEM	QTY	DESCRIPTION
1	1	SNAPNRACK, TALL TILT LEG PLUS PRC, 10 DEG PORTRAIT
2	1	5/16IN-18 X 2-1/4IN SS HCS BOLT
3	1	SNAPNRACK, ULTRA RAIL MOUNT SPRING CAGE, 6061-T6 AL
4	1	SNAPNRACK, ULTRA RAIL MOUNT SPRING, SS
5	1	SNAPNRACK, ULTRA RAIL MOUNT THRU PRC, CLEAR
6	1	SNAPNRACK, ULTRA RAIL MOUNT TAPPED PRC, CLEAR

MATERIALS:	6000 SERIES ALUMINUM, STAINLESS STEEL	OPTIONS:
DESIGN LOAD (LBS):	789 UP, 833 DOWN, 654 SIDE	
ULTIMATE LOAD (LBS):	N/A	
TORQUE SPECIFICATION:	12 LB-FT	
CERTIFICATION:	UL 2703, FILE E359313	
WEIGHT (LBS):	0.70	

DESCRIPTION:
SNAPRACK, ULTRA RAIL SIMPLE TILT BACK LEG
10 DEG PORTRAIT

DRAWN BY:

mwatkins

REVISION:

A

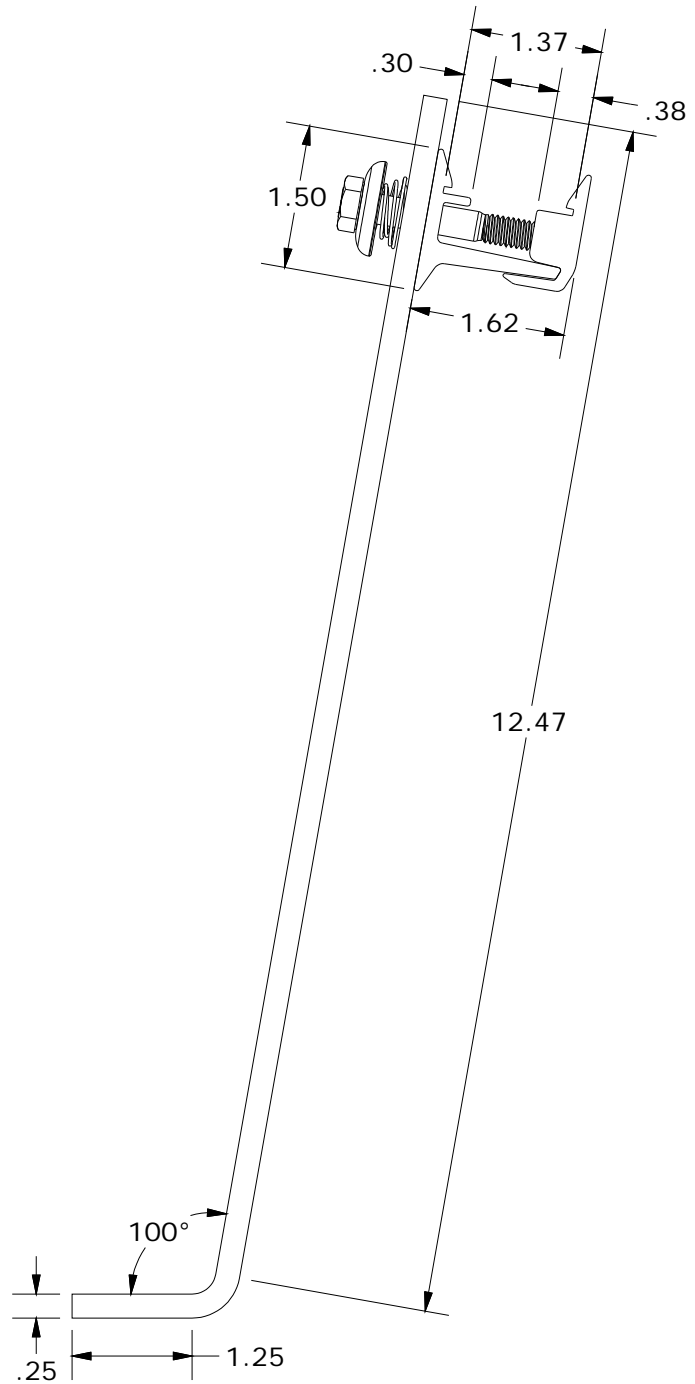
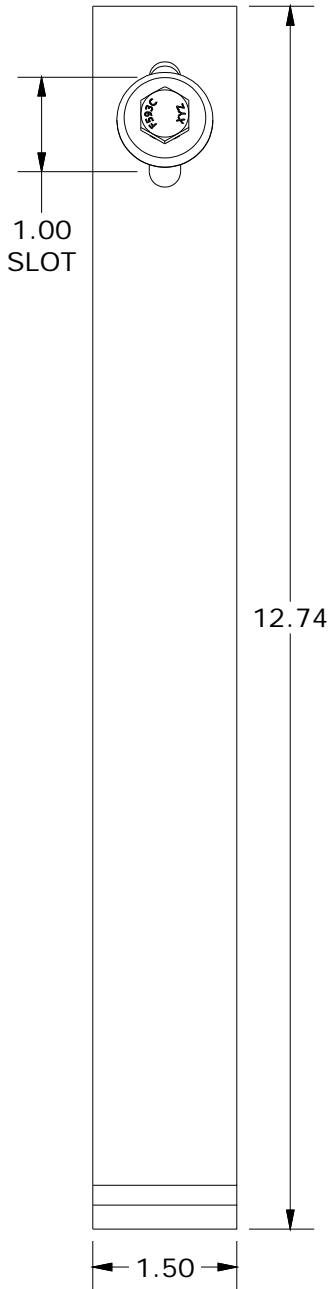
SnapNrack™
Solar Mounting Solutions

PART NUMBER(S):

242-03215

595 MARKET STREET, 29TH FLOOR • SAN FRANCISCO, CA 94105 USA
PHONE (415) 580-6900 • FAX (415) 580-6902

THE INFORMATION IN THIS DRAWING IS CONFIDENTIAL AND PROPRIETARY. ANY
REPRODUCTION, DISCLOSURE, OR USE THEREOF IS PROHIBITED WITHOUT THE
WRITTEN CONSENT OF SUNRUN SOUTH LLC.



ALL DIMENSIONS IN INCHES