

DESCRIPTION:  
**SNAPNRACK, UR-60 RAIL**

PART NUMBER(S):  
**232-02481, 232-02482, 232-02483, 232-02539,  
 232-02540, 232-02541**

DRAWN BY:  
 mwatkins

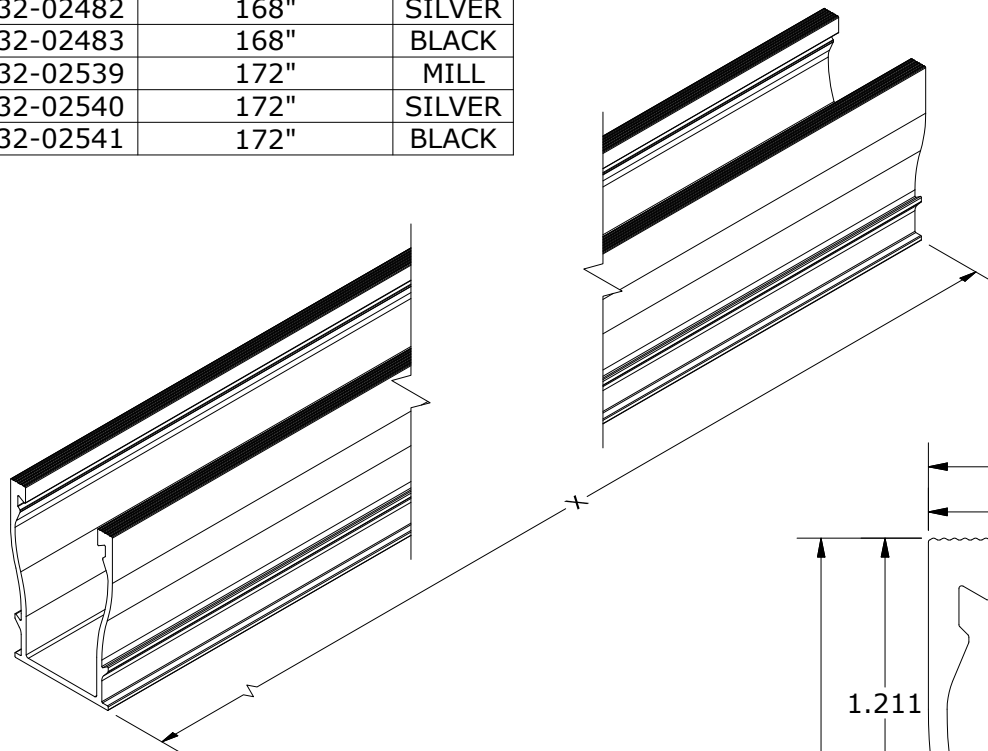
REVISION:  
**B**

**SnapNrack™**  
**Solar Mounting Solutions**

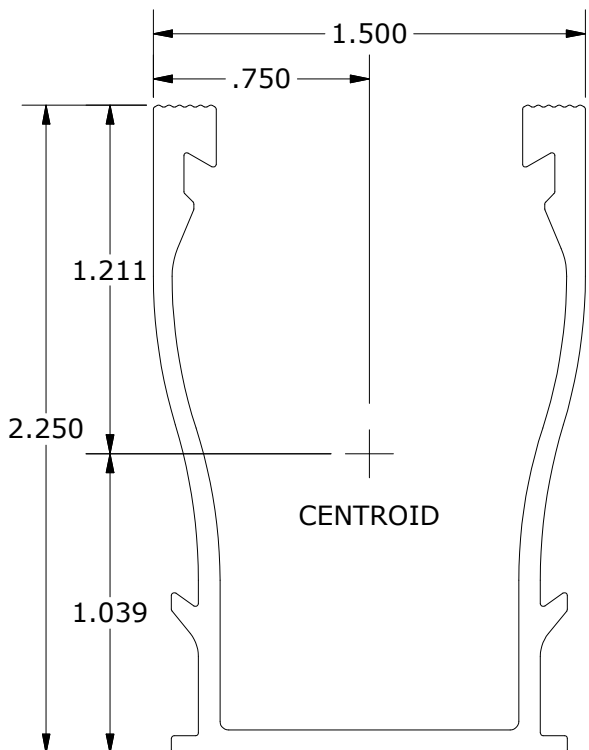
595 MARKET STREET, 29TH FLOOR • SAN FRANCISCO, CA 94105 USA  
 PHONE (415) 580-6900 • FAX (415) 580-6902

THE INFORMATION IN THIS DRAWING IS CONFIDENTIAL AND PROPRIETARY. ANY REPRODUCTION, DISCLOSURE, OR USE THEREOF IS PROHIBITED WITHOUT THE WRITTEN CONSENT OF SUNRUN SOUTH LLC.

UR-60 RAIL PROPERTIES		
SKU	RAIL LENGTH (X)	FINISH
232-02481	168"	MILL
232-02482	168"	SILVER
232-02483	168"	BLACK
232-02539	172"	MILL
232-02540	172"	SILVER
232-02541	172"	BLACK



SECTION PROPERTIES	
A	0.515 in <sup>2</sup>
I <sub>xx</sub>	0.327 in <sup>4</sup>
I <sub>yy</sub>	0.181 in <sup>4</sup>
S <sub>x</sub> (TOP)	0.270 in <sup>3</sup>
S <sub>x</sub> (BOT)	0.315 in <sup>3</sup>
S <sub>y</sub> (LEFT)	0.242 in <sup>3</sup>
S <sub>y</sub> (RIGHT)	0.242 in <sup>3</sup>



ALL DIMENSIONS IN INCHES

MATERIALS:	6000 SERIES ALUMINUM	OPTIONS:
DESIGN LOAD (LBS):	N/A	SILVER / BLACK ANODIZED
ULTIMATE LOAD (LBS):	N/A	MILL FINISH
TORQUE SPECIFICATION:	N/A LB-FT	BUNDLES OF 120
CERTIFICATION:	UL 2703, FILE E359313	BOXES OF 8
WEIGHT (LBS):	8.46 - 8.66	