

OVERVIEW OF THE SNAPNRACK ULTRA RAIL SYSTEM INSTALLED ON A TYPICAL ROOF

REFER TO SPECIFIC "ATTACHMENT DETAIL" FOR DETAILS ON ATTACHING AND WATERPROOFING THE VARIOUS SNAPNRACK ROOF ATTACHMENT PRODUCTS

REFER TO SPECIFIC "COMPONENT DETAIL" FOR DETAILS ON VARIOUS SNAPNRACK ACCESSARY AND COMPONENT PRODUCTS

BOTH THE SNAPNRACK, UNIVERSAL END CLAMP AND SNAPNRACK, ULTRA RAIL END CLAMP CAN BE USED ON END MODULES

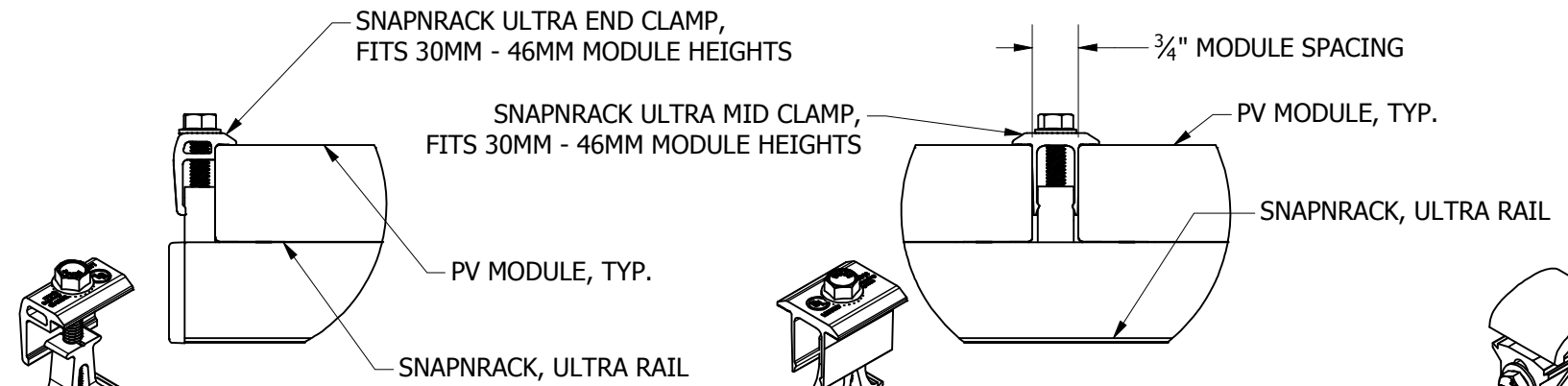
MODULES MAY BE CLAMPED ON SHORT OR LONG SIDE PER MODULE MANUFACTURER REQUIREMENTS

RAILS MAY BE MOUNTED UP/DOWN OR ACROSS THE SLOPE OF THE ROOF

REFER TO SNAPNRACK INSTALLATION MANUAL FOR $\frac{5}{16}$ "Ø HARDWARE TORQUE SPECIFICATIONS

BIN: ALL

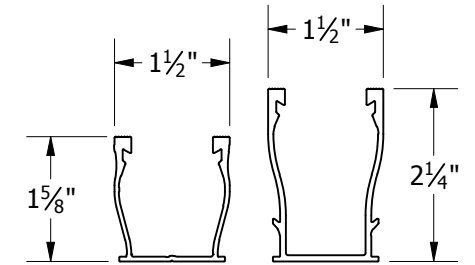
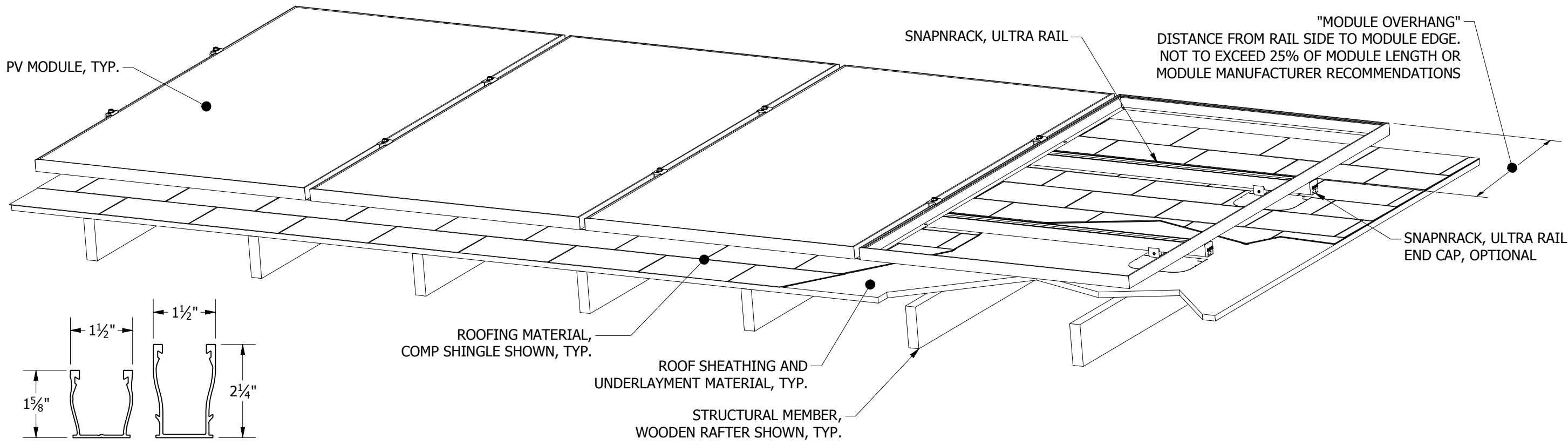
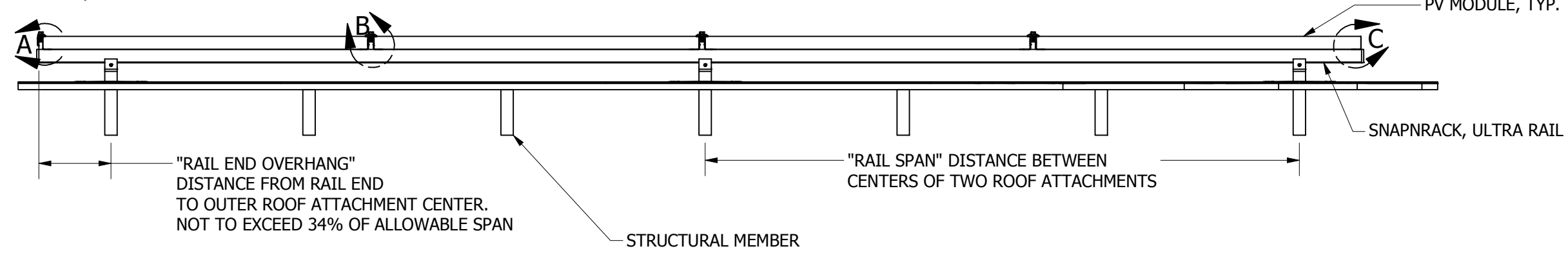
REVISION:			
1	5/7/2019	NEW DETAIL	MJA
2	1/3/2020	ULTRA CLAMPS	MJA



DETAIL A: SNAPNRACK, ULTRA RAIL END CLAMP

DETAIL B: SNAPNRACK, ULTRA RAIL MID CLAMP

DETAIL C: SNAPNRACK, UNIVERSAL END CLAMP



UR-40 RAIL | UR-60 RAIL
FOR USE WITH SNAPNRACK ULTRA SERIES RAILS



Sunrun South LLC
595 MARKET STREET, 29TH FLOOR • SAN FRANCISCO, CA 94105 USA
PHONE (415) 580-6900 • FAX (415) 580-6902
THE INFORMATION IN THIS DRAWING IS CONFIDENTIAL AND PROPRIETARY. ANY REPRODUCTION, DISCLOSURE, OR USE THEREOF IS PROHIBITED WITHOUT THE WRITTEN CONSENT OF SUNRUN SOUTH LLC.

DESIGNER: M.AFFENTRANGER
DRAFTER: M.AFFENTRANGER
APPROVED BY: B.PETERSON

SCALE: DNS
DATE: 1/3/2020

DRAWING NUMBER: SNR-DC-00329

DESCRIPTION: ULTRA RAIL, SYSTEM OVERVIEW, TYPICAL

REV 2