

OVERVIEW OF THE SNAPRACK ULTRA RAIL SYSTEM INSTALLED ON A TYPICAL ROOF

REFER TO SPECIFIC "ATTACHMENT DETAIL" FOR DETAILS ON ATTACHING AND WATERPROOFING THE VARIOUS SNAPRACK ROOF ATTACHMENT PRODUCTS

REFER TO SPECIFIC "COMPONENT DETAIL" FOR DETAILS ON VARIOUS SNAPRACK ACCESSARY AND COMPONENT PRODUCTS

BOTH THE SNAPRACK, UNIVERSAL END CLAMP AND SNAPRACK, ADJUSTABLE END CLAMP CAN BE USED ON END MODULES

MODULES MAY BE CLAMPED ON SHORT OR LONG SIDE PER MODULE MANUFACTURER REQUIREMENTS

RAILS MAY BE MOUNTED UP/DOWN OR ACROSS THE SLOPE OF THE ROOF

REFER TO SNAPRACK INSTALLATION MANUAL FOR  $\frac{5}{16}$ " Ø HARDWARE TORQUE SPECIFICATIONS

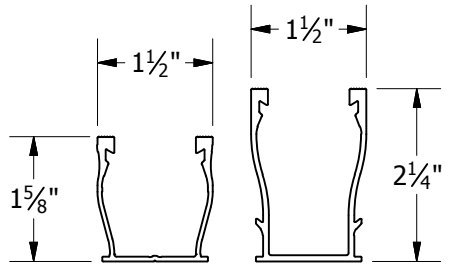
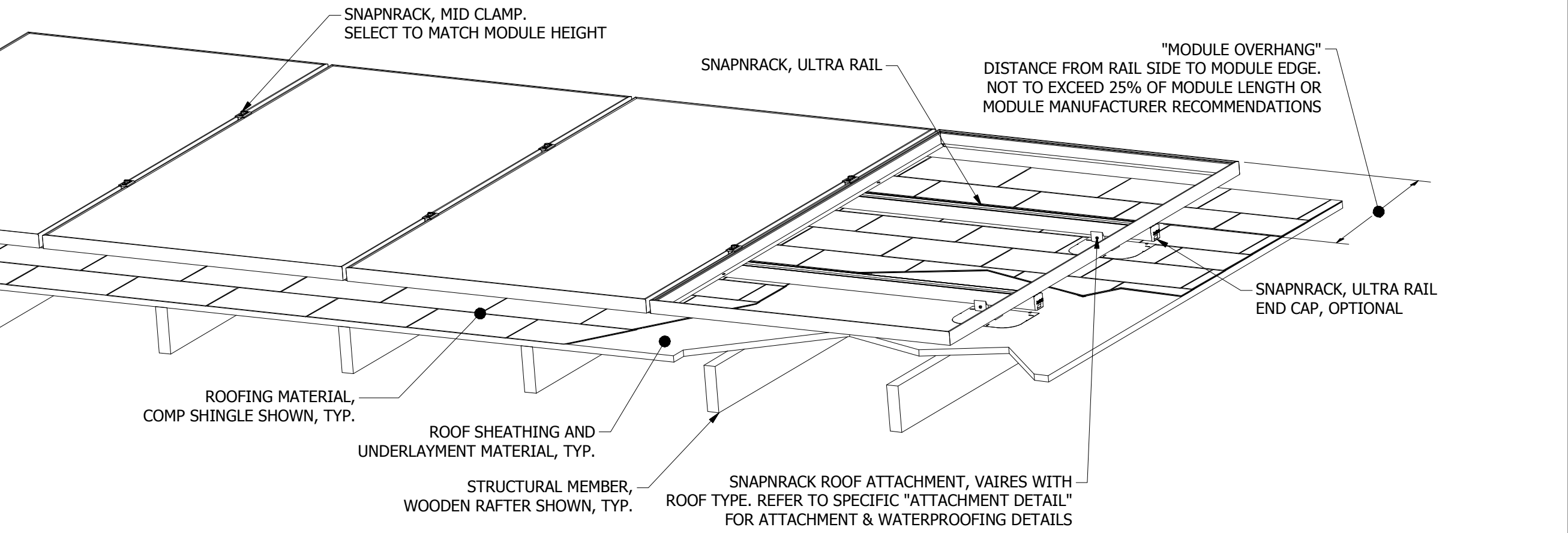
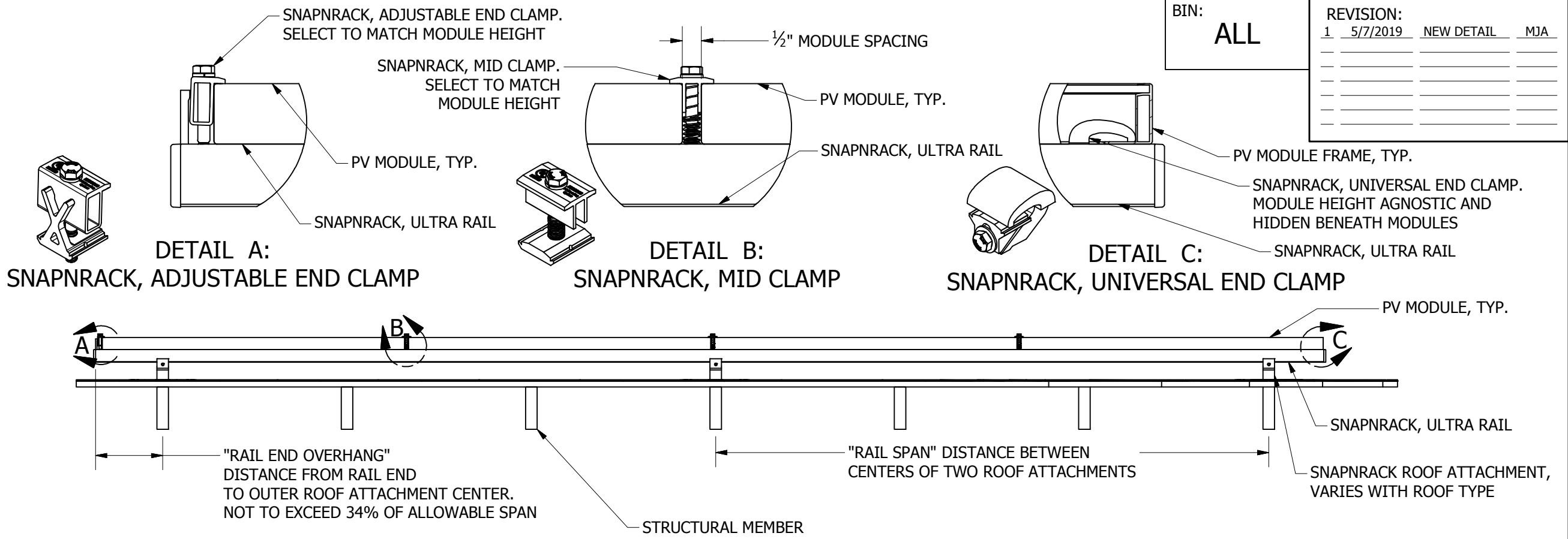
SNAPRACK, ADJUSTABLE END CLAMP. SELECT TO MATCH MODULE HEIGHT

PV MODULE, TYP.

UR-40 RAIL | UR-60 RAIL  
FOR USE WITH SNAPRACK ULTRA SERIES RAILS

BIN: ALL

REVISION:			
1	5/7/2019	NEW DETAIL	MJA



	Sunrun South LLC 595 MARKET STREET, 29TH FLOOR • SAN FRANCISCO, CA 94105 USA PHONE (415) 580-6900 • FAX (415) 580-6902 <small>THE INFORMATION IN THIS DRAWING IS CONFIDENTIAL AND PROPRIETARY. ANY REPRODUCTION, DISCLOSURE, OR USE THEREOF IS PROHIBITED WITHOUT THE WRITTEN CONSENT OF SUNRUN SOUTH LLC.</small>	DESIGNER: M.AFFENTRANGER DRAFTER: M.AFFENTRANGER APPROVED BY: B.PETERSON	SCALE: DNS DATE: 5/7/2019	DRAWING NUMBER: SNR-DC-00329	DESCRIPTION: ULTRA RAIL, SYSTEM OVERVIEW, TYPICAL	REV 1
		THE INFORMATION IN THIS DRAWING IS CONFIDENTIAL AND PROPRIETARY. ANY REPRODUCTION, DISCLOSURE, OR USE THEREOF IS PROHIBITED WITHOUT THE WRITTEN CONSENT OF SUNRUN SOUTH LLC.				