

SNAPNRACK UR-40 RAIL AND SPLICE DETAILS

REFER TO SNAPNRACK INSTALLATION MANUAL FOR
5/16"Ø HARDWARE TORQUE SPECIFICATIONS

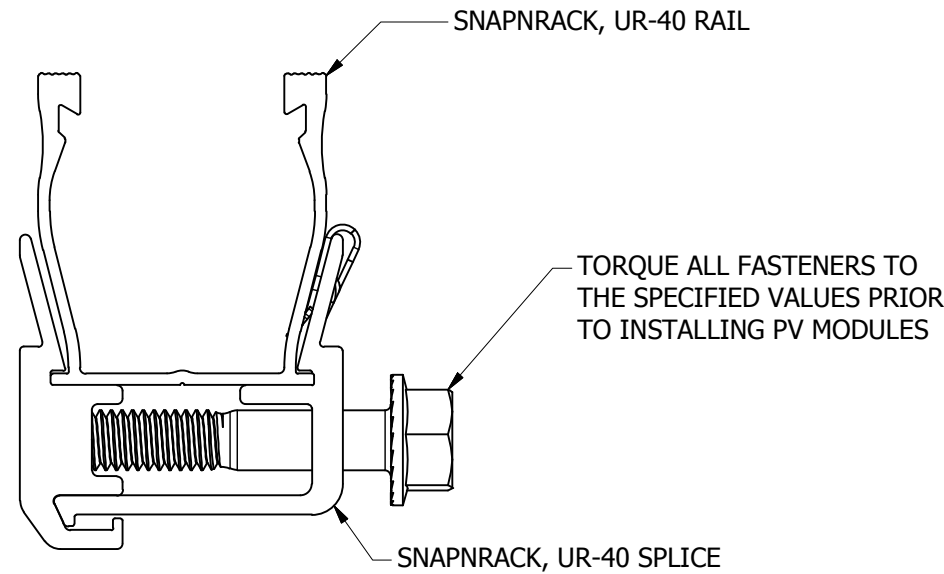
SPLICE POSITIONING:

- APPROVED - ANYWHERE ALONG RAIL SPAN BETWEEN **TWO** ROOF ATTACHMENTS
- NOT APPROVED - RAIL OVERHANGS / CANTILEVERS

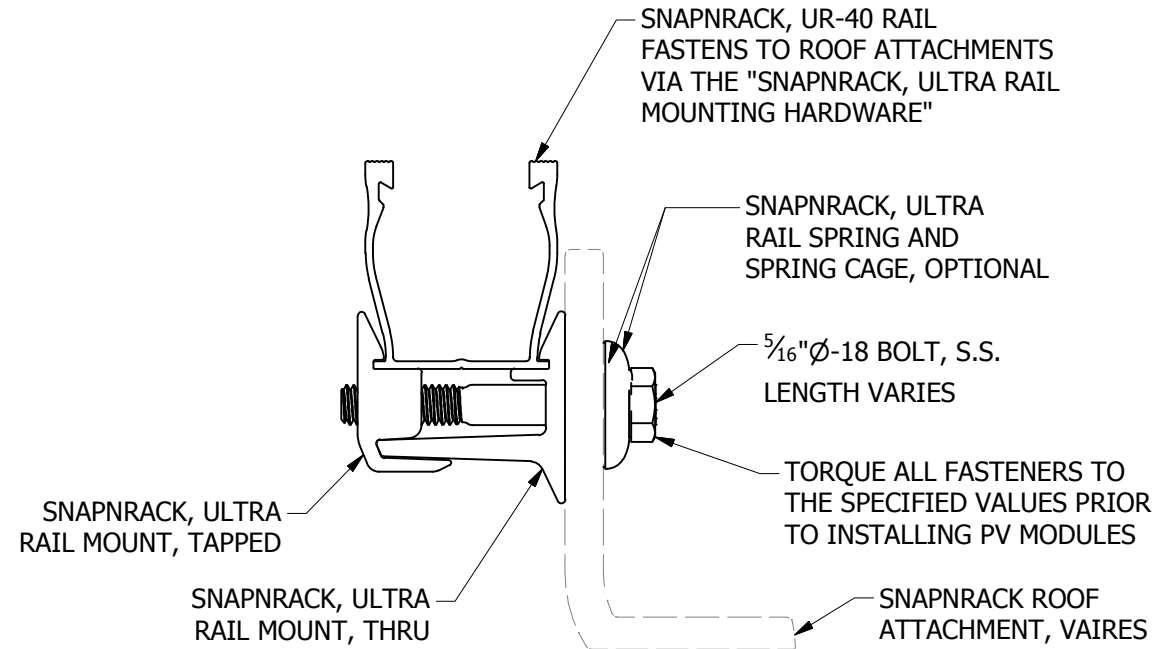
USE OF THE UR-40 SPLICE WITH THE UR-60 RAIL IS **PROHIBITED**

BIN: N/A

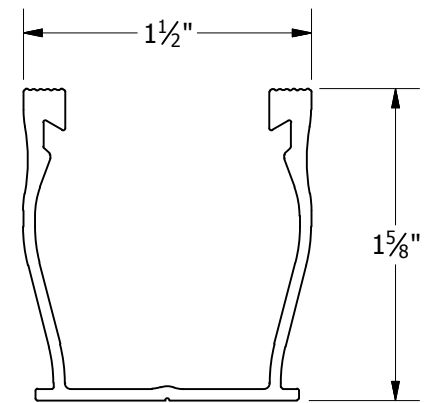
REVISION:		
1	5/7/2019	NEW DETAIL MJA



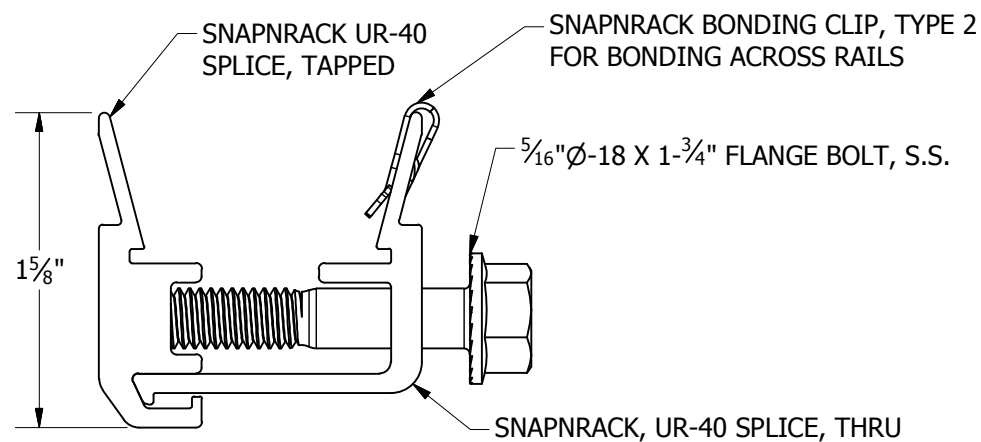
SNAPNRACK, UR-40 SPLICE INSTALLED



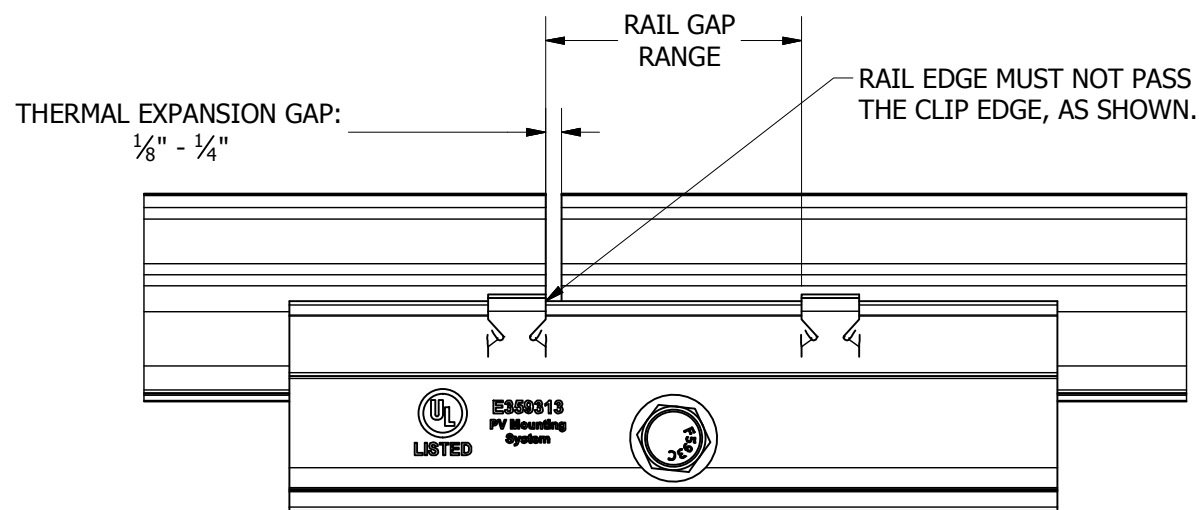
SNAPNRACK, ULTRA RAIL MOUNTING HARDWARE



SNAPNRACK, UR-40 RAIL



SNAPNRACK, UR-40 SPLICE



SPLICE ALIGNMENT LIMITS