

SNAPRACK UR-60 RAIL, SPLICE, AND MOUNTING HARDWARE DETAILS

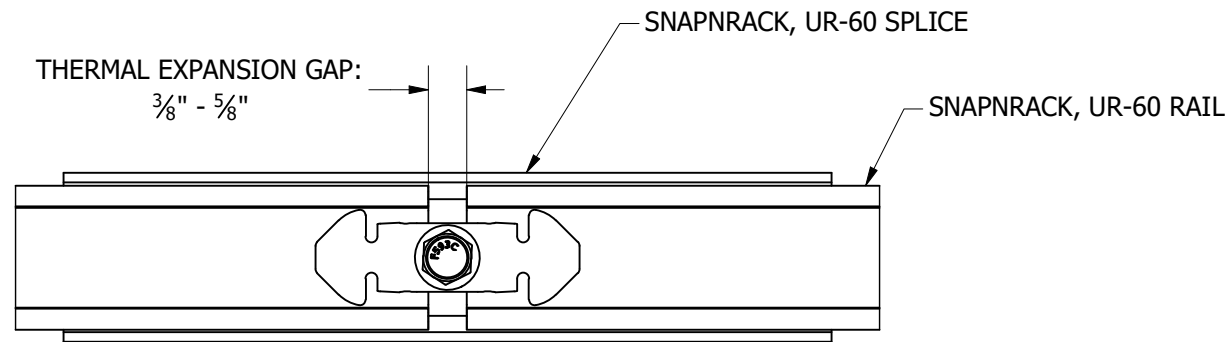
BIN:
N/A

REVISION:		
1	5/7/2019	NEW DETAIL MJA
2	7/17/2019	DRO-00138 MJA
3	7/8/2020	CONFIGS MJA
B	12/14/2022	DC001816 MKW

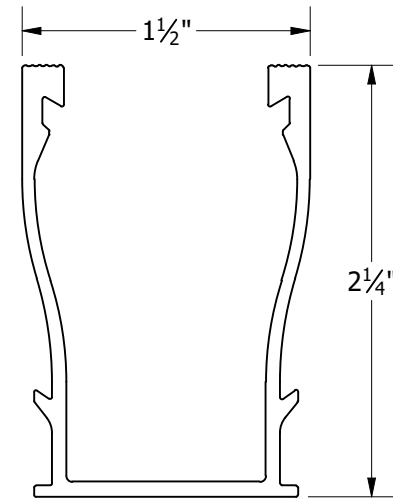
TORQUE ALL FASTENERS TO THE SPECIFIED VALUES PRIOR TO INSTALLING PV MODULES. REFER TO SNAPRACK INSTALLATION MANUAL FOR 5/16"Ø HARDWARE TORQUE SPECIFICATIONS

SPLICE POSITIONING:

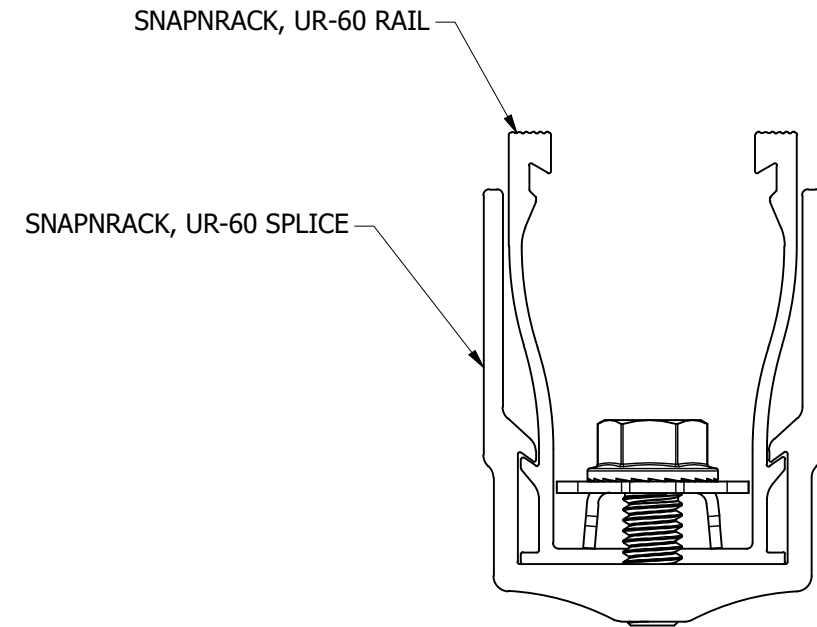
- APPROVED - ANYWHERE ALONG RAIL SPAN BETWEEN **TWO** ROOF ATTACHMENTS
- NOT APPROVED - RAIL OVERHANGS / CANTILEVERS



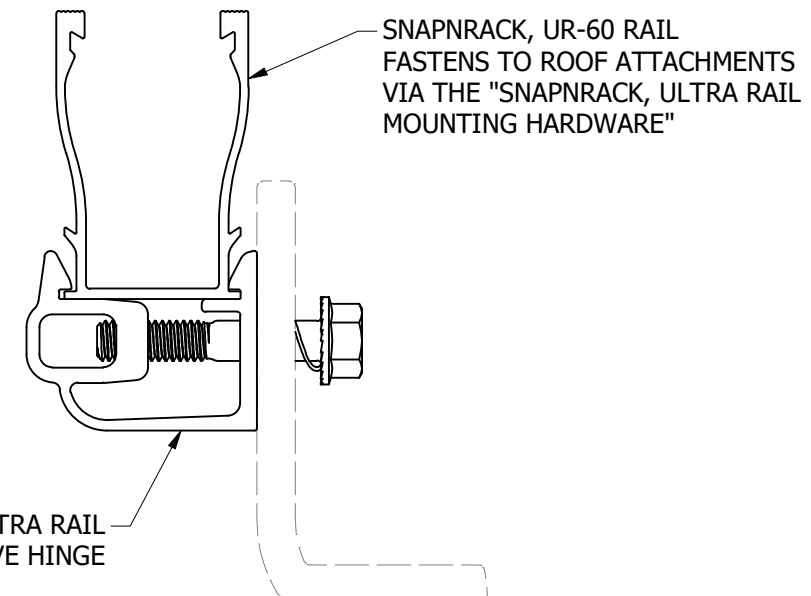
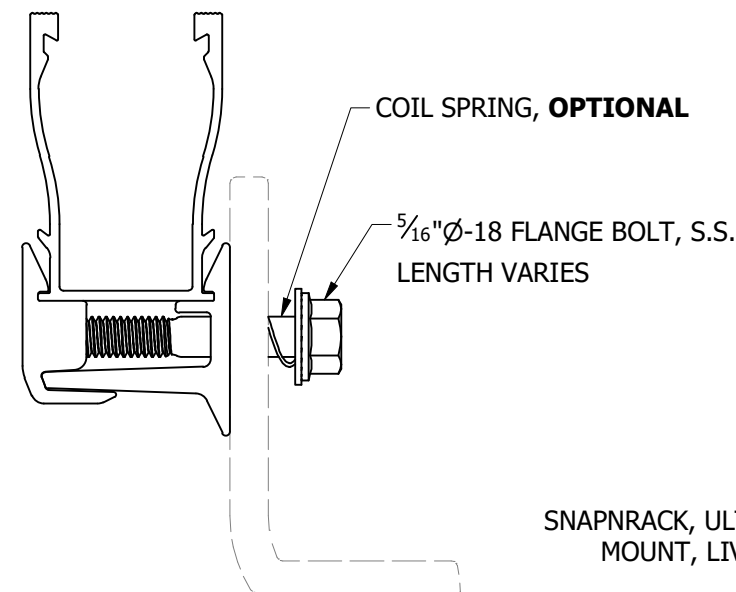
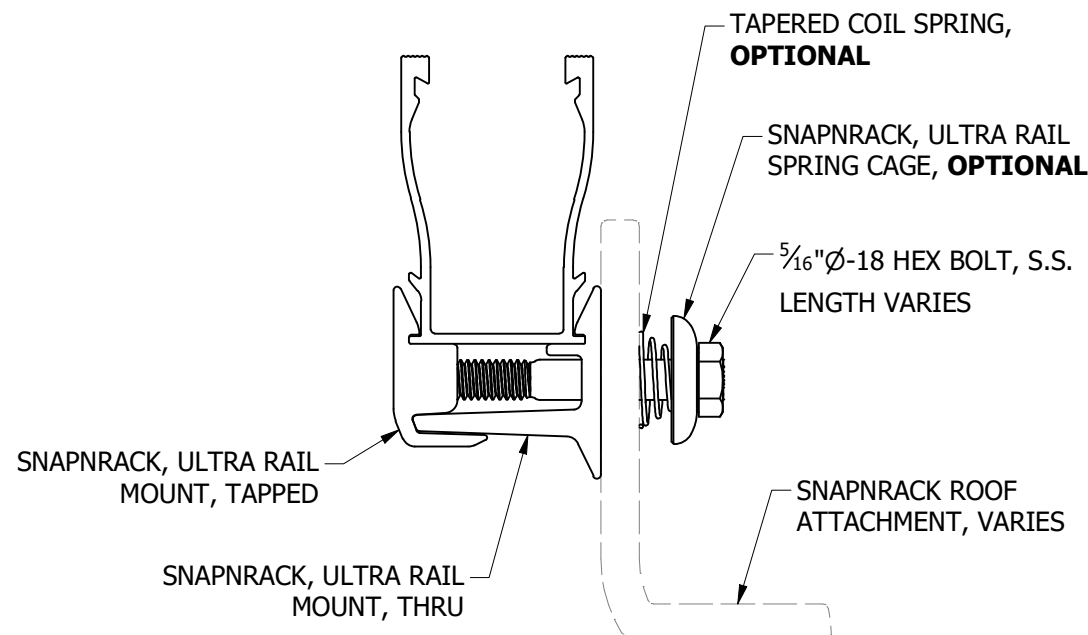
SNAPRACK, UR-60 SPLICE INSTALLED, TOP



SNAPRACK, UR-60 RAIL



SNAPRACK, UR-60 SPLICE INSTALLED, FRONT



INTERCHANGEABLE CONFIGURATIONS: SNAPRACK ULTRA RAIL MOUNTING HARDWARE



Sunrun South LLC
595 MARKET STREET, 29TH FLOOR • SAN FRANCISCO, CA 94105 USA
PHONE (415) 580-6900 • FAX (415) 580-6902
THE INFORMATION IN THIS DRAWING IS CONFIDENTIAL AND PROPRIETARY. ANY REPRODUCTION, DISCLOSURE, OR USE THEREOF IS PROHIBITED WITHOUT THE WRITTEN CONSENT OF SUNRUN SOUTH LLC.

DESIGNER: M.AFFENTRANGER
DRAFTER: M.WATKINS
APPROVED BY: M.AFFENTRANGER

SCALE: DNS
DATE: 12/14/2022

DRAWING NUMBER:
SNR-DC-00331

DESCRIPTION:
ULTRA RAIL, COMPONENT DETAIL, UR-60 RAIL, SPLICE, AND MOUNTING HARDWARE

REV:
B