

SNAPNRACK UR-60 RAIL AND SPLICE DETAILS

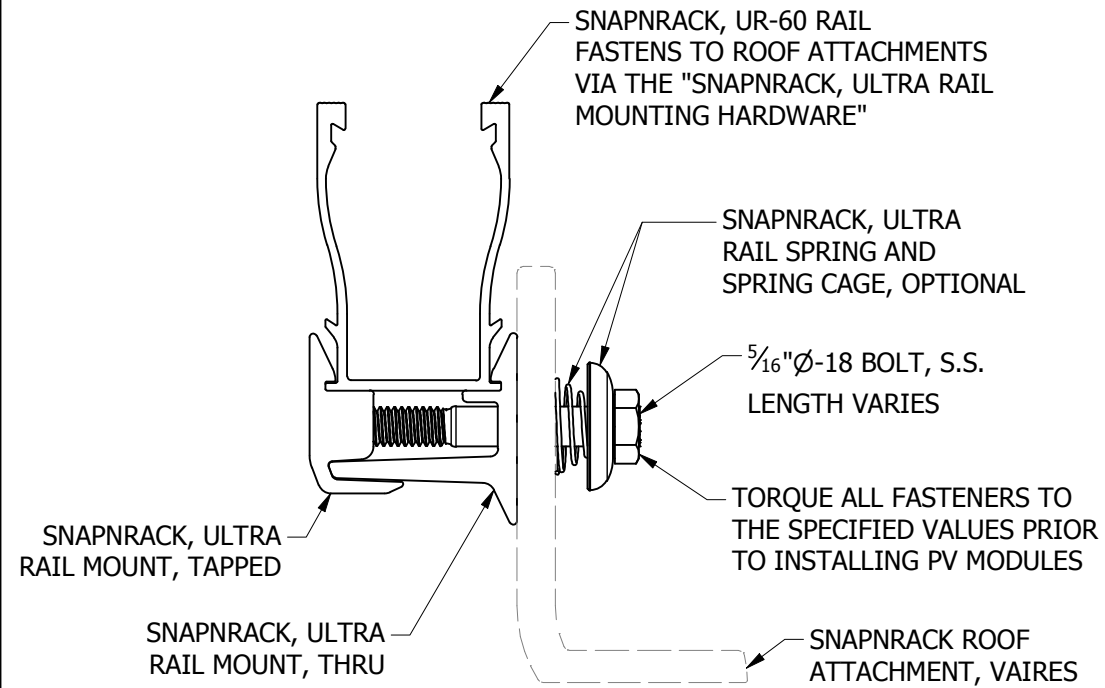
REFER TO SNAPNRACK INSTALLATION MANUAL FOR
 $\frac{5}{16}$ "Ø HARDWARE TORQUE SPECIFICATIONS

SPLICE POSITIONING:

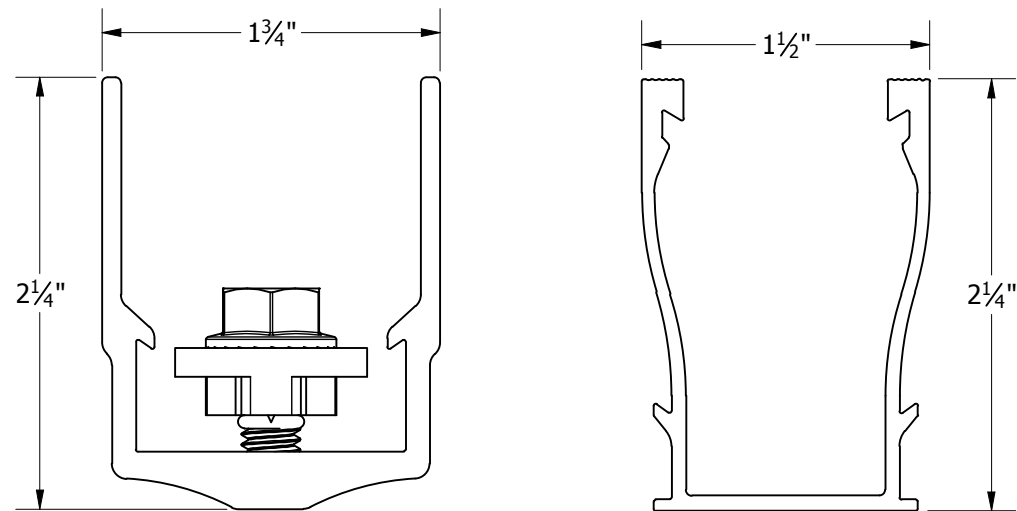
- APPROVED - ANYWHERE ALONG RAIL SPAN BETWEEN **TWO** ROOF ATTACHMENTS
- NOT APPROVED - RAIL OVERHANGS / CANTILEVERS

BIN:
N/A

REVISION:		NEW DETAIL	MJA
1	5/7/2019		MJA
2	7/17/2019	DRO-00138	MJA

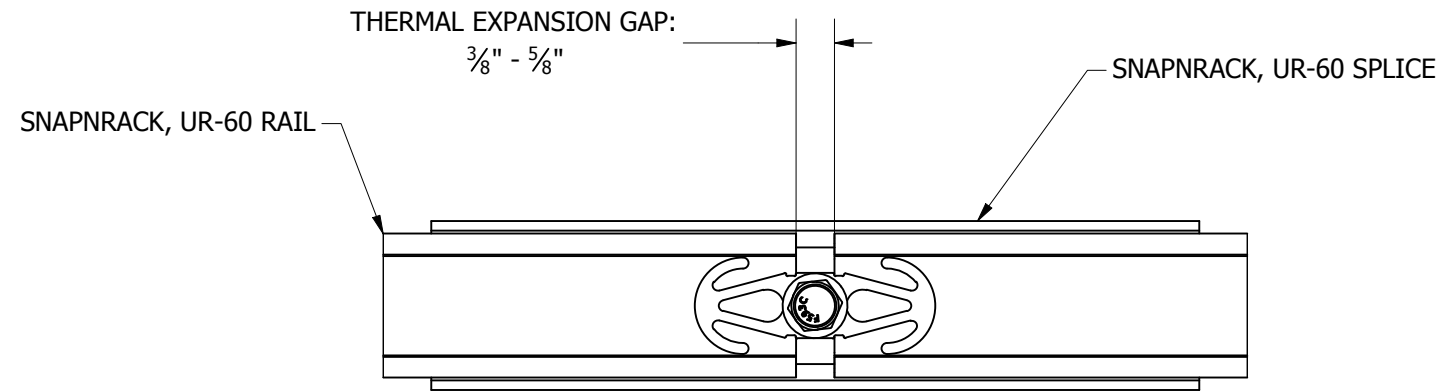


SNAPNRACK, ULTRA RAIL MOUNTING HARDWARE

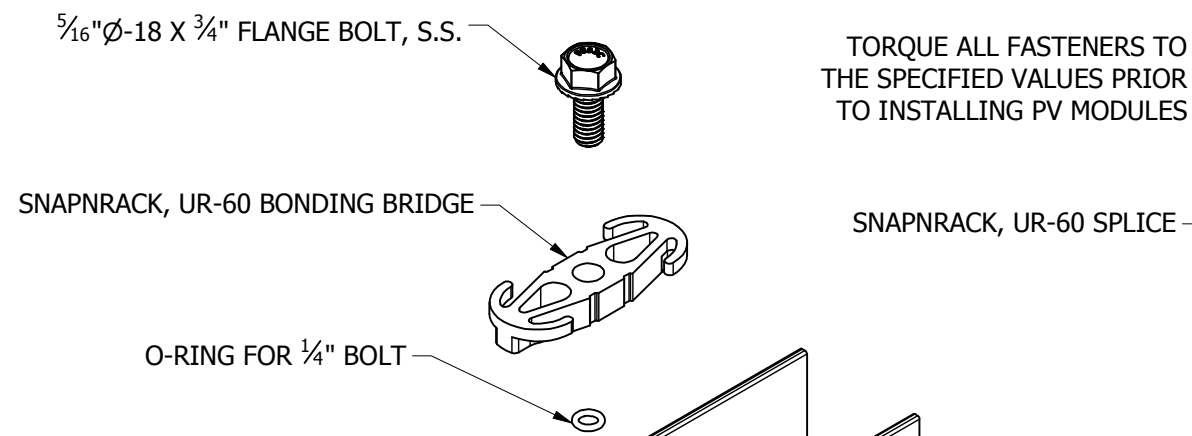


SNAPNRACK, UR-60 SPLICE

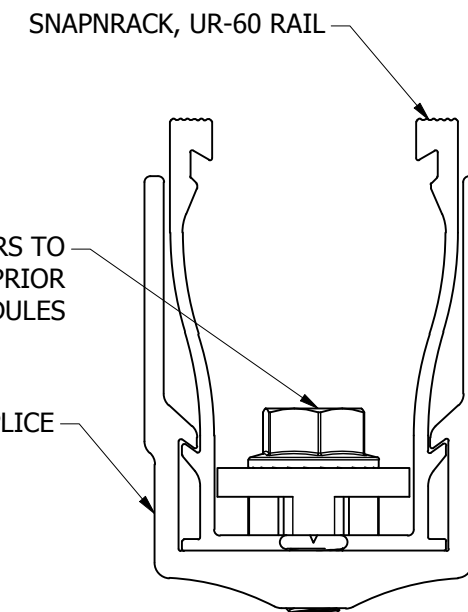
SNAPNRACK, UR-60 RAIL



SNAPNRACK, UR-60 SPLICE INSTALLED, TOP



SNAPNRACK, UR-60 SPLICE, EXPLODED



SNAPNRACK, UR-60 SPLICE INSTALLED, FRONT