

STANDARD ULTRA RAIL ATTACHMENTS FEATURE 3" OF VERTICAL ADJUSTABILITY WITH THE USE OF THE LEVELING EXTENSION.

THE FIRST INCH OF ADJUSTABILITY IS ACCOMPLISHED WITH THE SLOT FEATURE IN THE L-FOOT.

FOR AN ADDITIONAL 2" OF HEIGHT ADJUSTMENT, ADD THE LEVELING EXTENSION. NOT TO EXCEED 30% OF ATTACHMENT POINTS ON L-FEET.

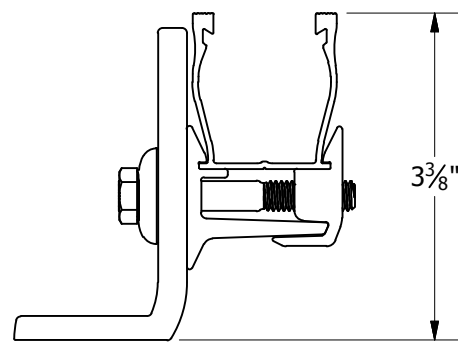
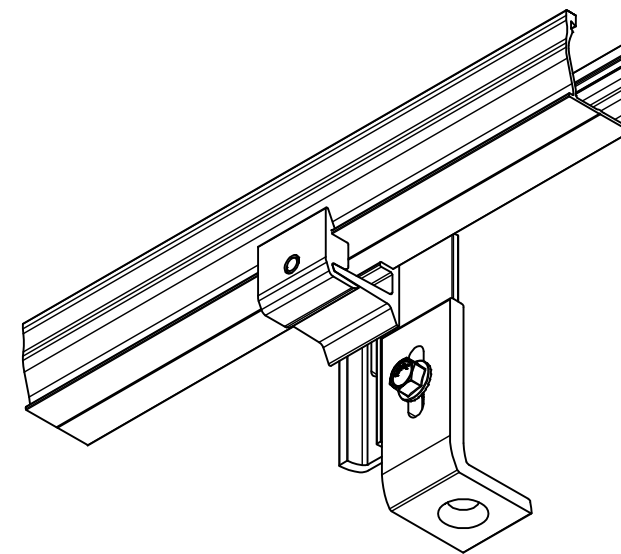
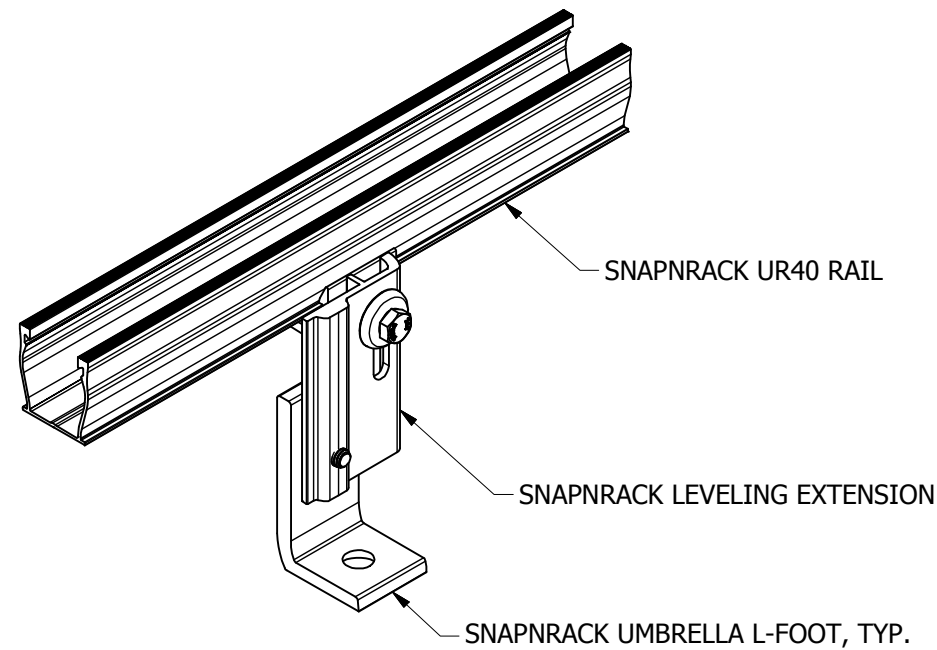
LEVELING EXTENSION MAY BE USED ON ANY SNAPNRACK L FOOT AND MOUNT BOTH UPSLOPE OR DOWNSLOPE OF THE L FOOT

MODULE HEIGHT OFF ROOF SHOWN WITH UR-40 RAIL ON UMBRELLA L FOOT. FOR UR-60 RAIL, ADD 5/8"

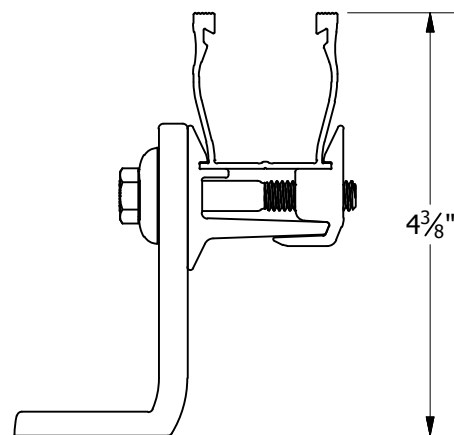
REFER TO SNAPNRACK INSTALLATION MANUAL FOR 5/16"Ø HARDWARE TORQUE SPECIFICATIONS

BIN:
N/A

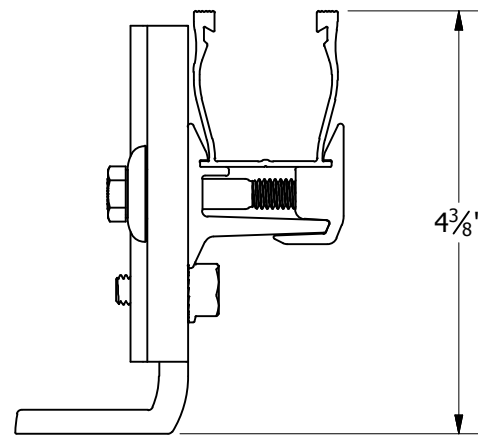
REVISION:		
1	5/7/2019	NEW DETAIL MJA



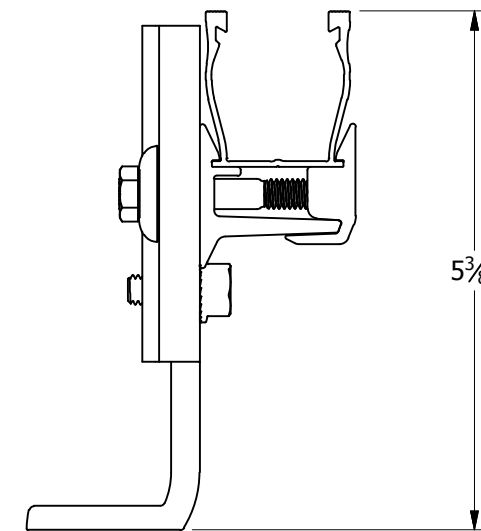
RAIL HEIGHT = 3 3/8"
ABOVE ROOF SURFACE
QTY. 1 L-FOOT, LOW SLOT



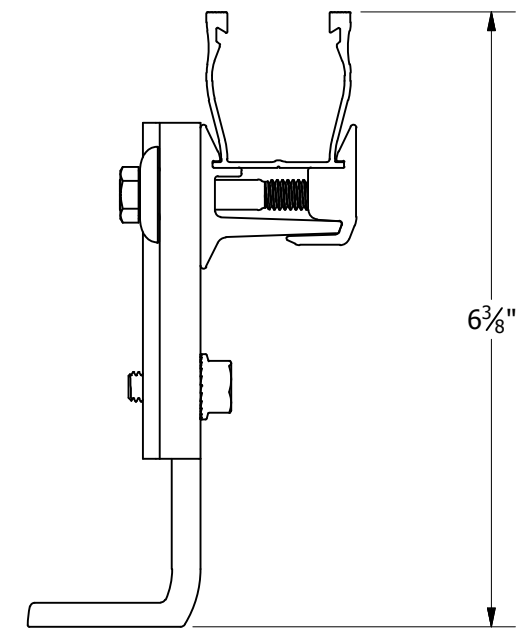
RAIL HEIGHT = 4 3/8"
ABOVE ROOF SURFACE
QTY. 1 L-FOOT, HIGH SLOT



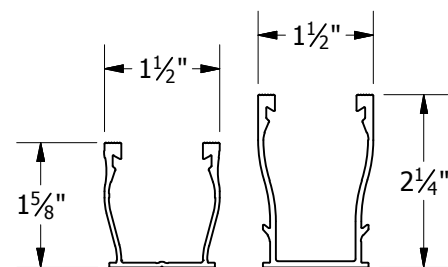
RAIL HEIGHT = 4 3/8"
ABOVE ROOF SURFACE
QTY. 1 L-FOOT, LOW SLOT
QTY. 1 EXTENSION, LOW SLOT



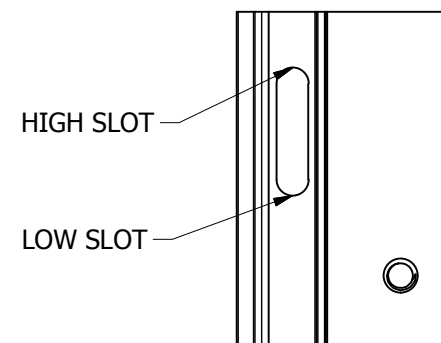
RAIL HEIGHT = 5 3/8"
ABOVE ROOF SURFACE
QTY. 1 L-FOOT, HIGH SLOT
QTY. 1 EXTENSION, LOW SLOT



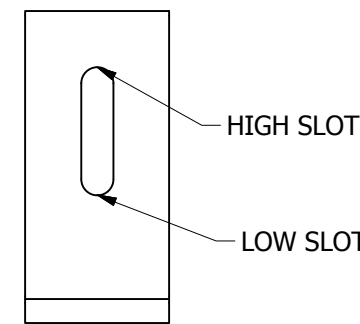
RAIL HEIGHT = 6 3/8"
ABOVE ROOF SURFACE
QTY. 1 L-FOOT, HIGH SLOT
QTY. 1 EXTENSION, HIGH SLOT



UR-40 RAIL | UR-60 RAIL
FOR USE WITH SNAPNRACK ULTRA SERIES RAILS



SNAPNRACK LEVELING EXTENSION



SNAPNRACK L FOOT, VARIES