

THE SNAPNRACK VARIABLE TILT WITH STANDOFF IS A VERSATILE SOLUTION FOR INSTALLATIONS REQUIRING MODULE TILT BEYOND THE EXISTING ROOF SLOPE. IT IS DESIGNED FOR TILT ANGLES FROM 10°-30° ABOVE THE HORIZONTAL UTILIZING HD STANDOFFS AND A REAR LEG EXTENSION

REFER TO SNAPNRACK ENGINEERING CHARTS FOR APPLICABLE RAIL SPANS. "BIN" NUMBER ON CHART SHOULD MATCH "BIN" NUMBER ON THIS DRAWING

REFER TO THE SNAPNRACK INSTALLATION MANUAL FOR 5/16"Ø HARDWARE TORQUE SPECIFICATIONS

FOR ADDITIONAL SYSTEM REQUIREMENTS, INCLUDING MODULE OVERHANG, SEE "SNR-DC-00329 ULTRA RAIL, SYSTEM OVERVIEW, TYPICAL"

FOR LEVELING REQUIREMENTS SEE "SNR-DC-00334 ULTRA RAIL, COMPONENT DETAIL, LEVELING SPACER ON STANDOFF"

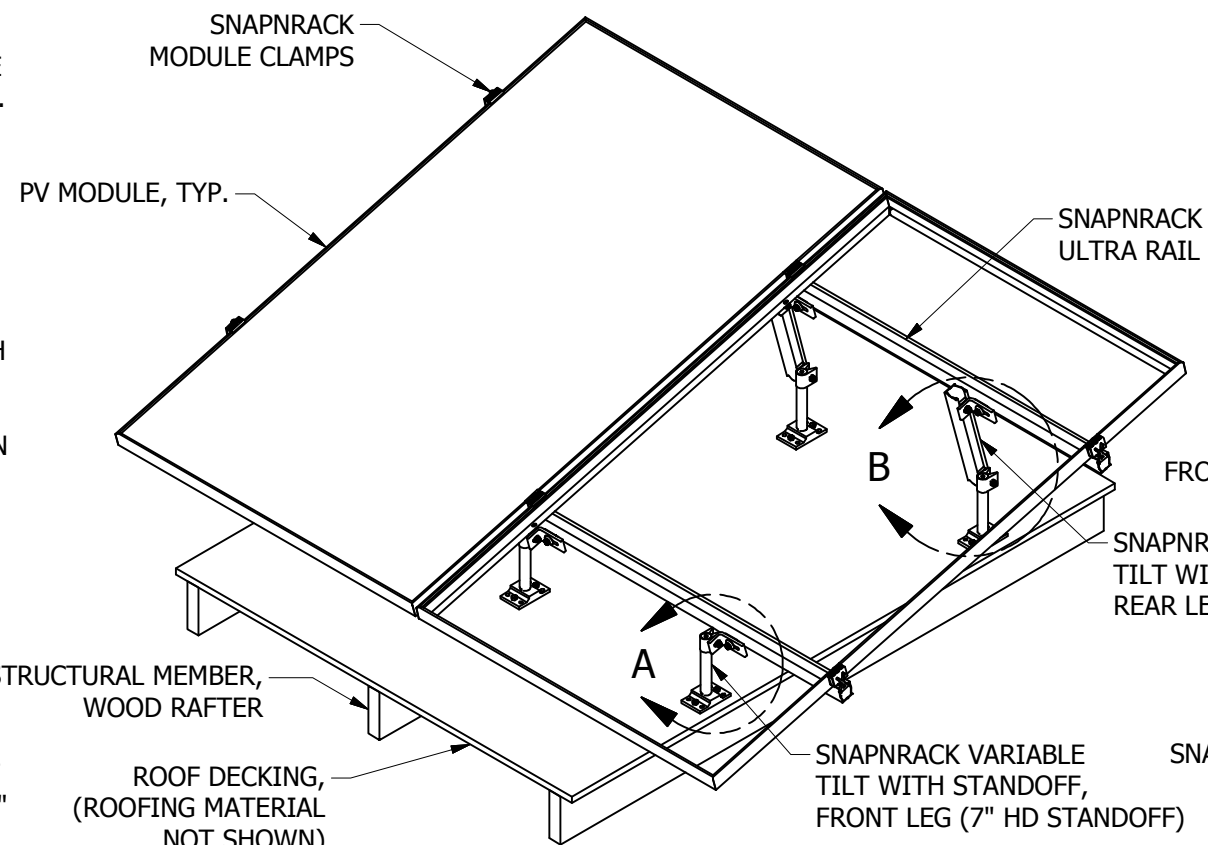
RAILS CAN BE MOUNTED UPSLOPE OR DOWNSLOPE OF THE TILT LEGS

TILT ANGLE MUST ALWAYS BE IN SAME DIRECTION AS ROOF PITCH. REVERSE TILT NOT SUPPORTED

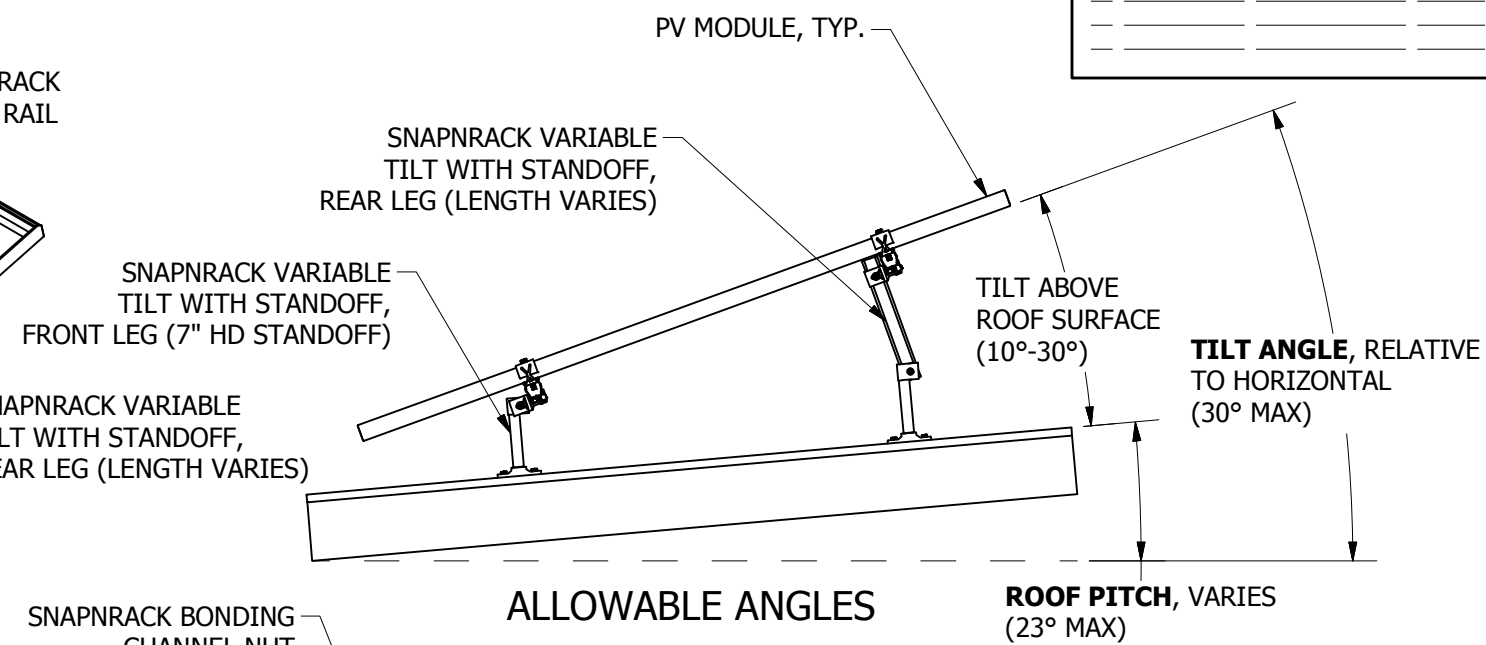
\*SITE-SPECIFIC ANALYSIS IS REQUIRED IF A TALLER STANDOFF IS NECESSARY FOR PROPER INSTALLATION

BIN: 12

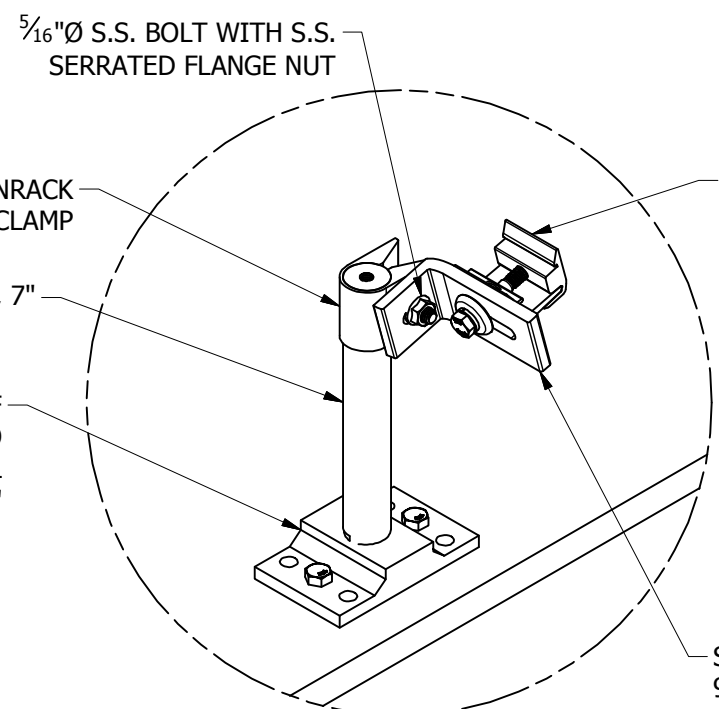
REVISION:			
1	5/7/2019	NEW DETAIL	MJA



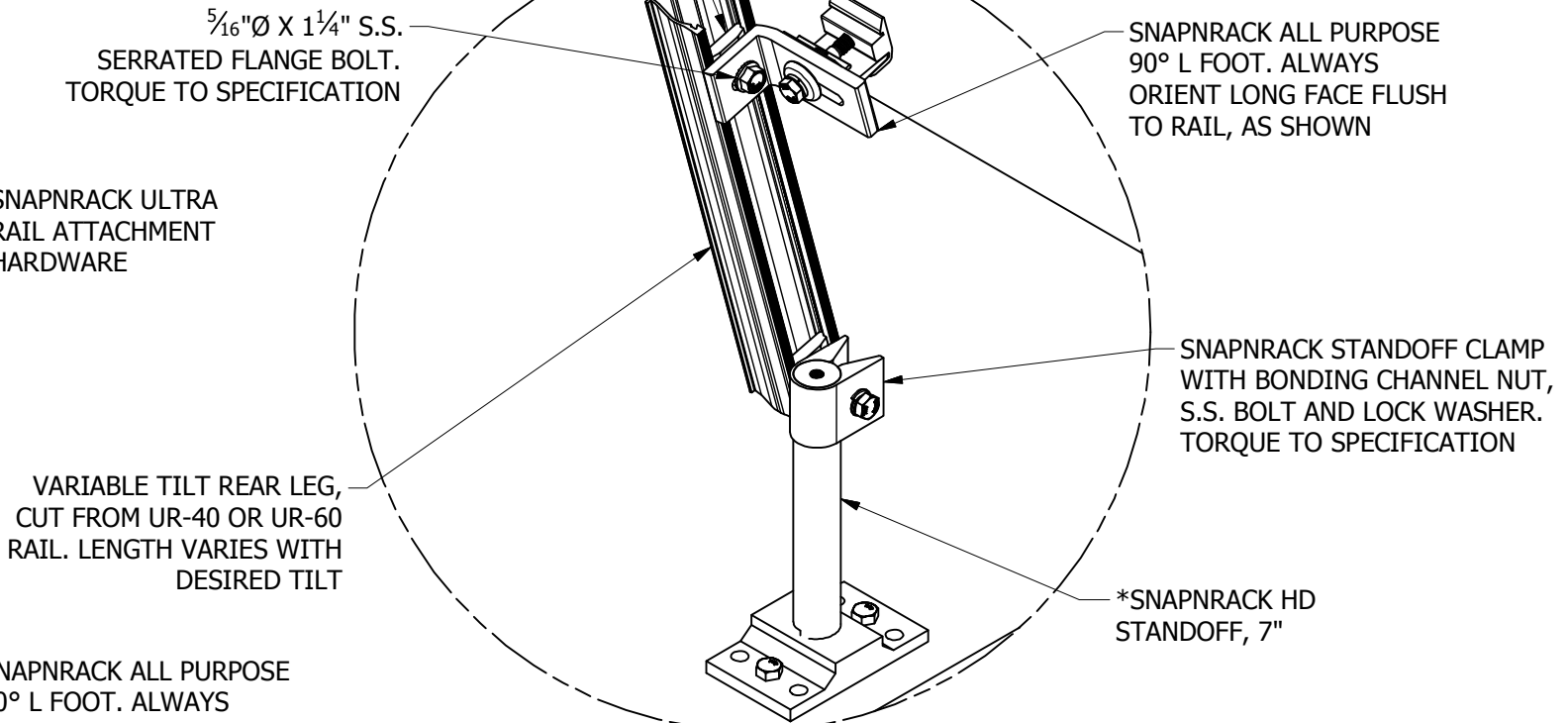
VARIABLE TILT WITH STANDOFF, INSTALLED



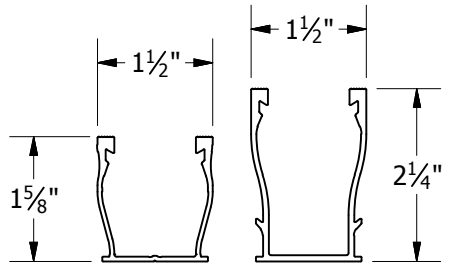
ALLOWABLE ANGLES



DETAIL A  
FRONT LEG, VARIABLE TILT WITH STANDOFF (RAIL HIDDEN)



DETAIL B  
REAR LEG, VARIABLE TILT WITH STANDOFF (RAIL HIDDEN)



UR-40 RAIL | UR-60 RAIL  
FOR USE WITH SNAPNRACK ULTRA SERIES RAILS



Sunrun South LLC  
595 MARKET STREET, 29TH FLOOR • SAN FRANCISCO, CA 94105 USA  
PHONE (415) 580-6900 • FAX (415) 580-6902  
THE INFORMATION IN THIS DRAWING IS CONFIDENTIAL AND PROPRIETARY. ANY REPRODUCTION, DISCLOSURE, OR USE THEREOF IS PROHIBITED WITHOUT THE WRITTEN CONSENT OF SUNRUN SOUTH LLC.

DESIGNER: G.MCHPEETERS  
DRAFTER: M.AFFENTRANGER  
APPROVED BY: B.PETERSON

SCALE: DNS  
DATE: 5/7/2019

DRAWING NUMBER: SNR-DC-00337

DESCRIPTION: ULTRA RAIL, SYSTEM DETAIL, VARIABLE TILT WITH STANDOFF

REV: 1