

THE SNAPNRACK SIMPLE TILT IS A SIMPLE SOLUTION FOR INSTALLATIONS REQUIRING MODULE TILT BEYOND THE EXISTING ROOF SLOPE. IT IS DESIGNED FOR A FIXED 10° TILT ANGLE ABOVE THE HORIZONTAL

REFER TO SNAPNRACK ENGINEERING CHARTS FOR APPLICABLE RAIL SPANS. "BIN" NUMBER ON CHART SHOULD MATCH "BIN" NUMBER ON THIS DRAWING

*ALTERNATE FASTENERS AND STRUCTURAL SUBSTRATES ARE PERMITTED. SNAPNRACK'S STANDARD ENGINEERING REQUIRES MINIMUM FASTENER ALLOWABLE CAPACITIES OF 532 LBS WITHDRAWAL AND 270 LBS SHEAR. CAPACITIES LOWER THAN THIS WILL REQUIRE SITE-SPECIFIC ENGINEERING

REFER TO THE SNAPNRACK INSTALLATION MANUAL FOR 5/16" Ø HARDWARE TORQUE SPECIFICATIONS

FOR ADDITIONAL SYSTEM REQUIREMENTS, INCLUDING MODULE OVERHANG, SEE "SNR-DC-00329 ULTRA RAIL, SYSTEM OVERVIEW, TYPICAL"

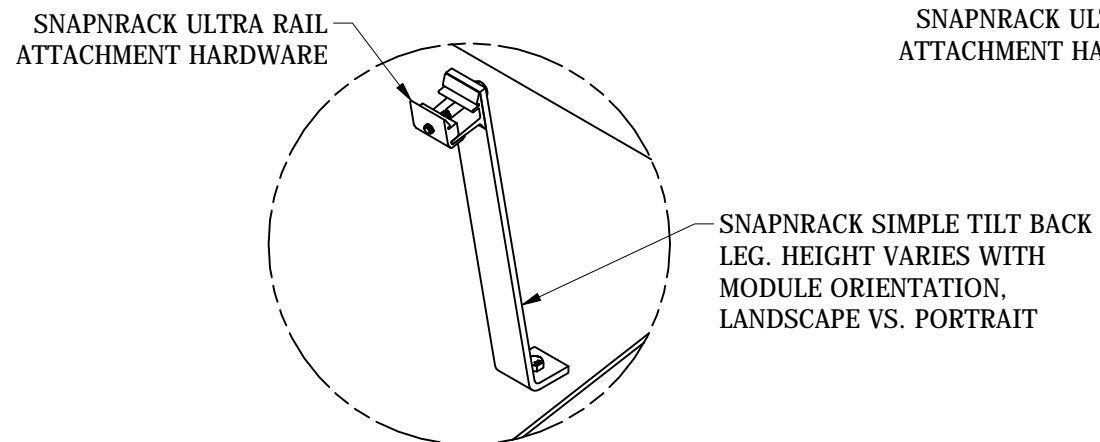
THE SIMPLE TILT FEATURES 1" OF VERTICAL ADJUSTABILITY FOR LEVELING RAILS

RAILS CAN BE MOUNTED UPSLOPE OR DOWNSLOPE OF THE TILT LEGS

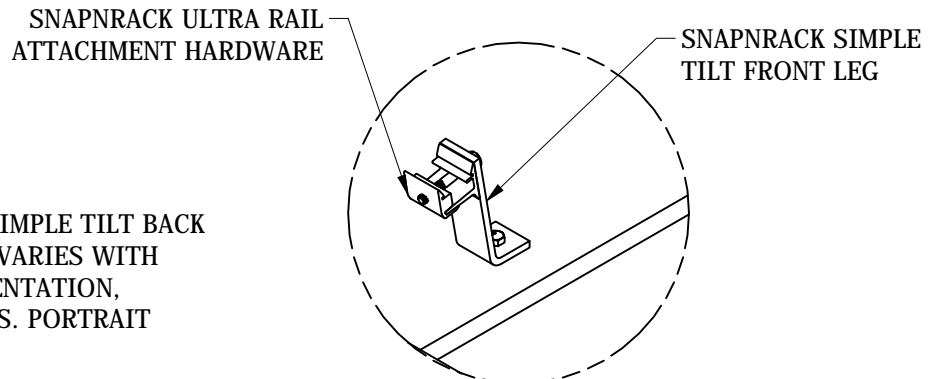
TILT ANGLE MUST ALWAYS BE IN SAME DIRECTION AS ROOF PITCH. REVERSE TILT NOT SUPPORTED

BIN: 9

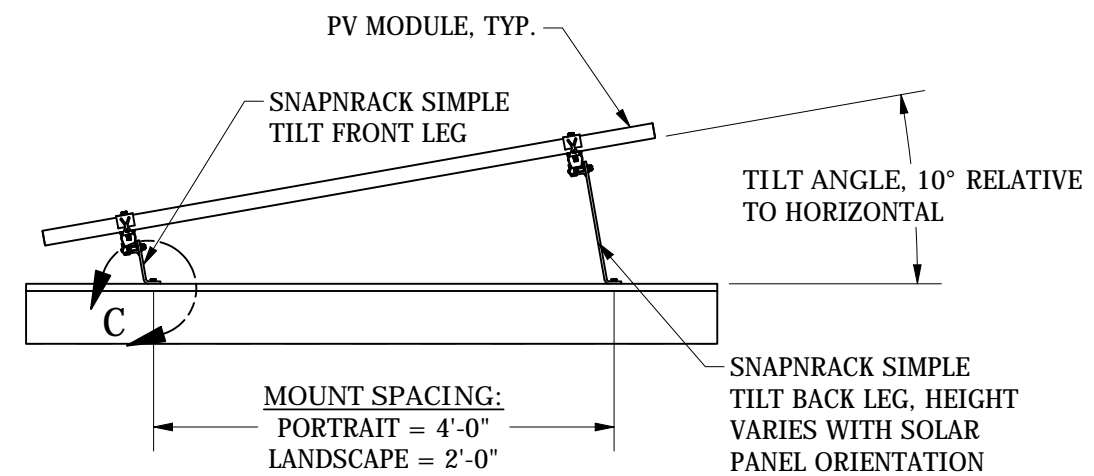
REVISION:			
1	5/7/2019	NEW DETAIL	MJA
B	3/29/2023	DC001948	MKW
B	12/18/2023	DC001948	MJA



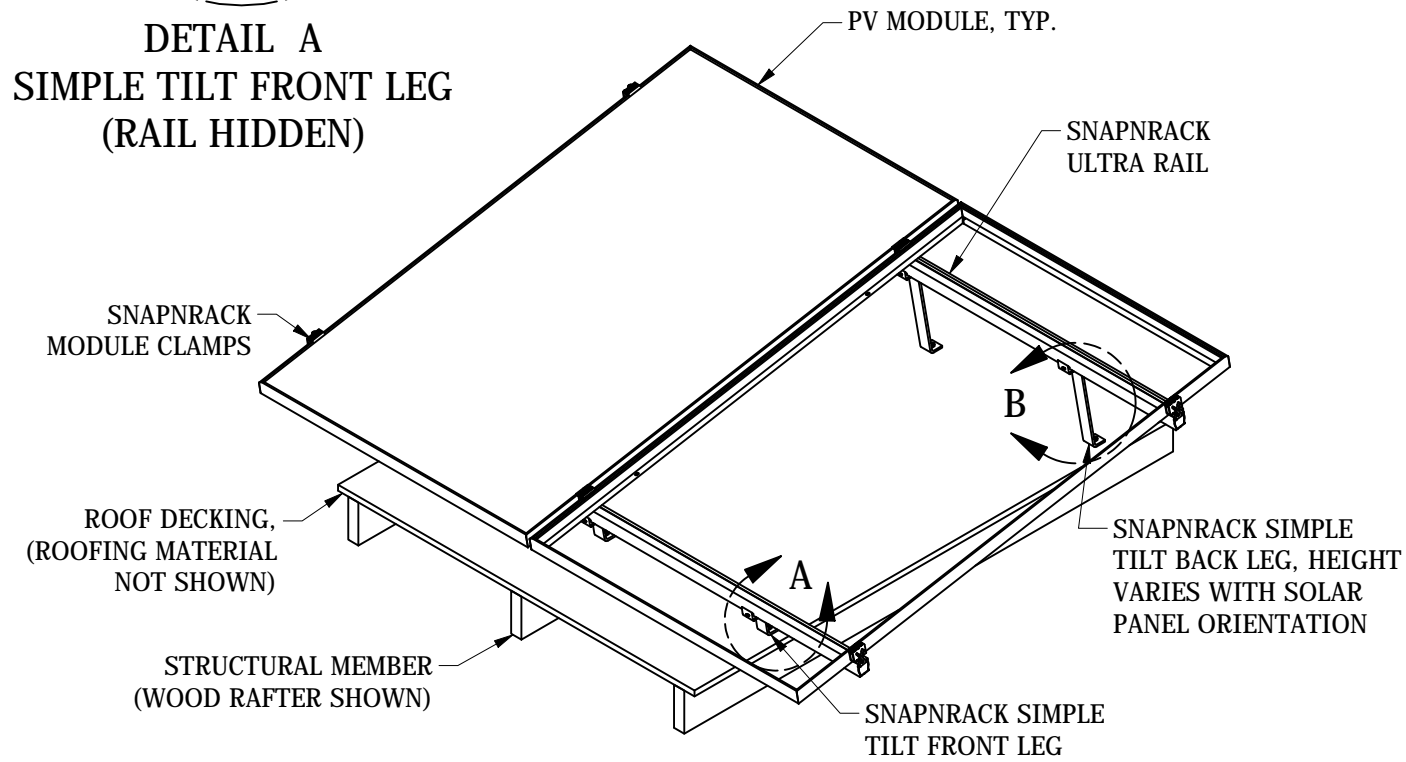
DETAIL B
SIMPLE TILT BACK LEG
(RAIL HIDDEN)



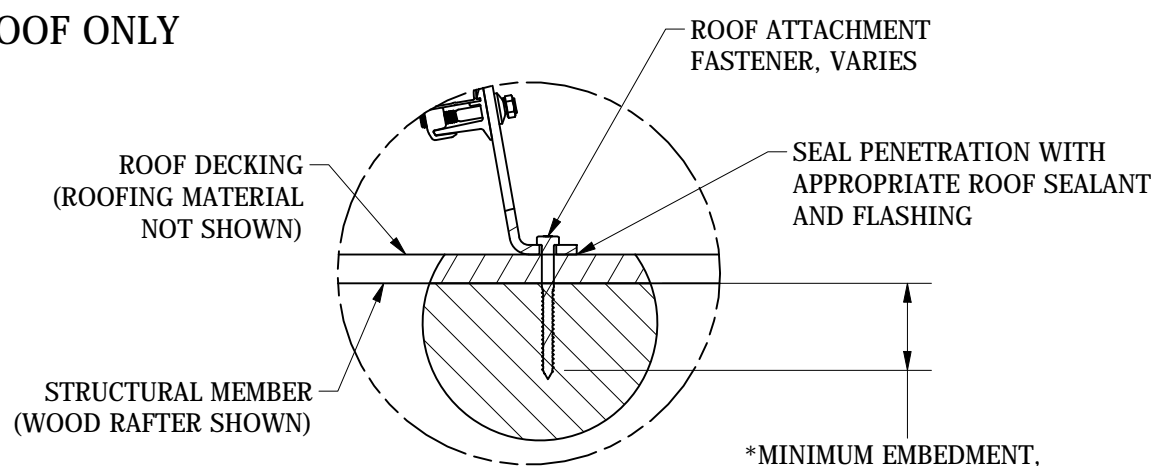
DETAIL A
SIMPLE TILT FRONT LEG
(RAIL HIDDEN)



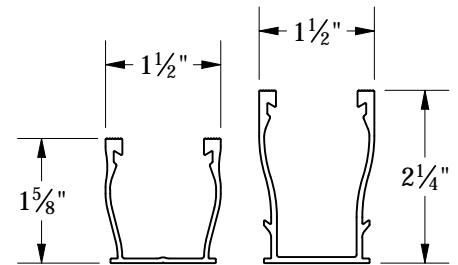
TILT ANGLE
FLAT ROOF ONLY



FIXED TILT, INSTALLED



DETAIL C
PENETRATION DETAIL



UR-40 RAIL | UR-60 RAIL
FOR USE WITH SNAPNRACK ULTRA SERIES RAILS



Sunrun South LLC
595 MARKET STREET, 29TH FLOOR SAN FRANCISCO, CA 94105 USA
PHONE (415) 580-6900 FAX (415) 580-6902
THE INFORMATION IN THIS DRAWING IS CONFIDENTIAL AND PROPRIETARY. ANY REPRODUCTION, DISCLOSURE, OR USE THEREOF IS PROHIBITED WITHOUT THE WRITTEN CONSENT OF SUNRUN SOUTH LLC.

DESIGNER: M.AFFENTRANGER
DRAFTER: M.AFFENTRANGER
APPROVED BY: E.FERGUSON

SCALE: DNS
DATE: 12/18/2023

DRAWING NUMBER: SNR-DC-00338

DESCRIPTION: ULTRA RAIL, SYSTEM DETAIL, SIMPLE TILT

REV: **B**