

SNAPNRACK ULTRA RAIL UMBRELLA L FOOT WITH UMBRELLA FLASHING FOR COMPOSTION ROOF MOUNTING

BIN: **8**

REVISION:			
1	5/7/2019	NEW DETAIL	MJA
1	6/18/2019	DRO-00138	MJA
B	6/22/2023	DC002707	MJA

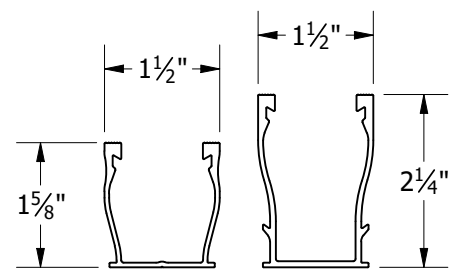
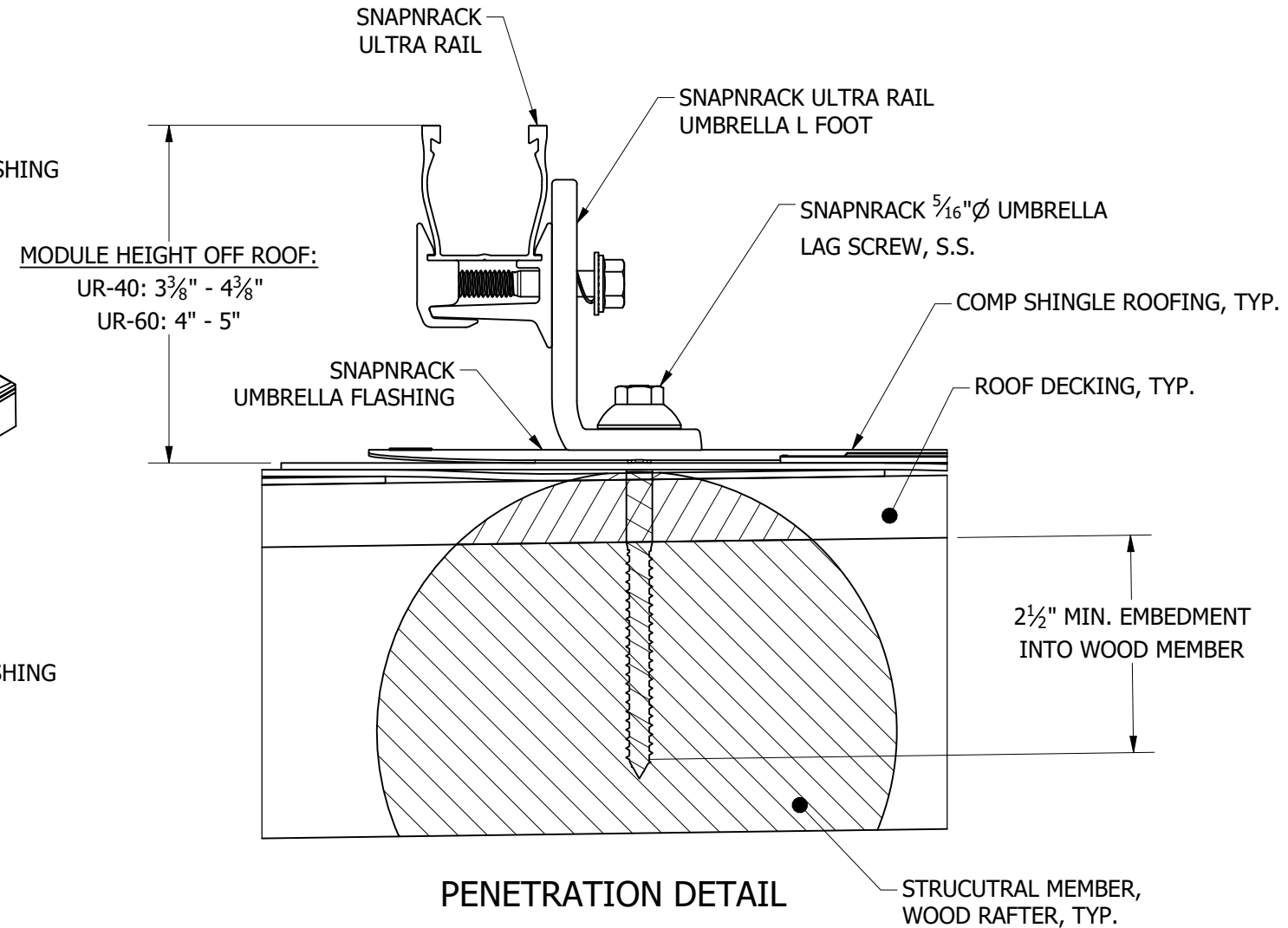
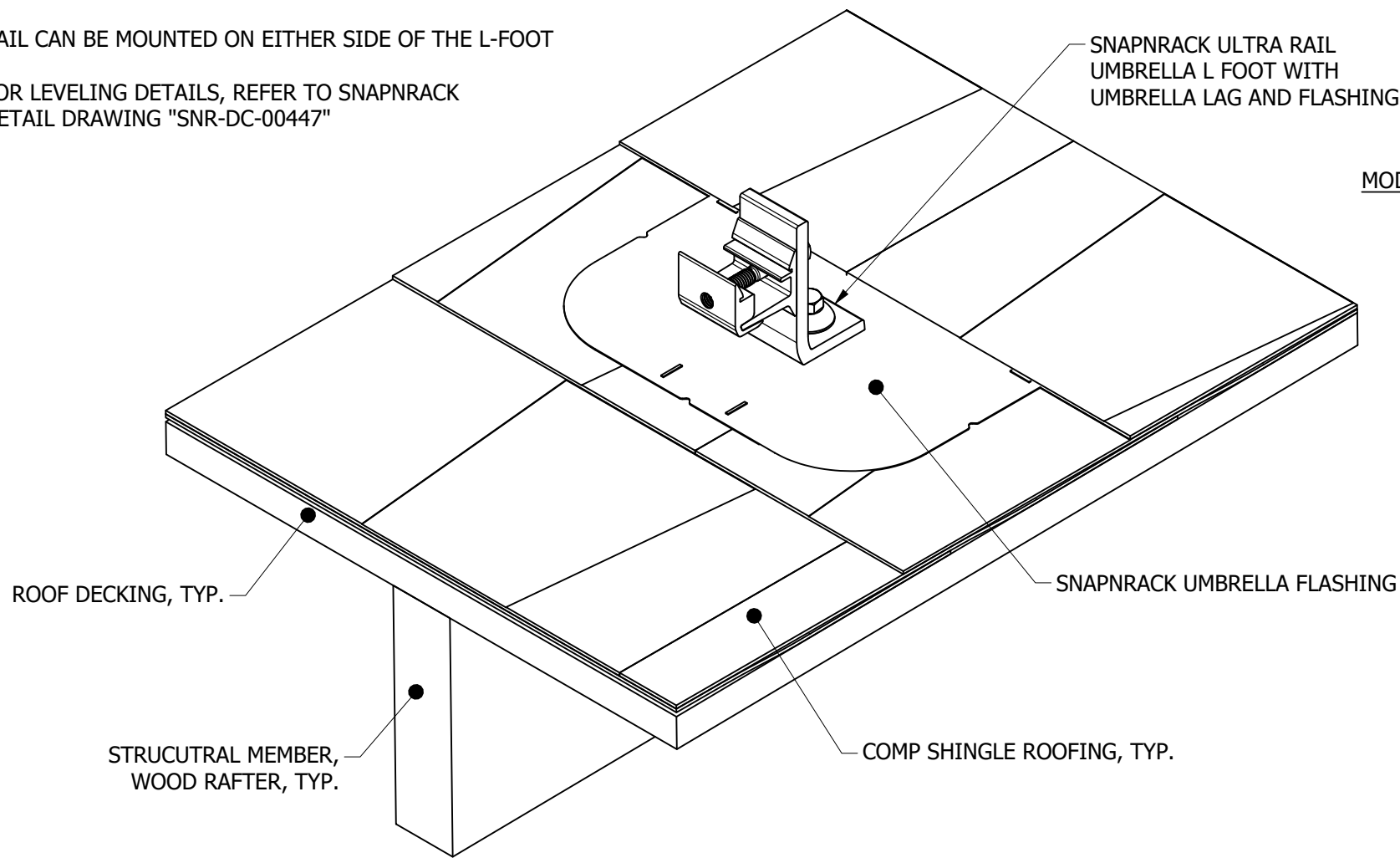
REFER TO SNAPNRACK ENGINEERING CHARTS FOR APPLICABLE RAIL SPANS. "BIN" NUMBER ON CHART SHOULD MATCH "BIN" NUMBER ON THIS DRAWING

5/16"Ø S.S. UMBRELLA LAG SCREW MUST EMBED A MIN. OF 2 1/2" INTO STRUCTURAL MEMBER TO UTILIZE STANDARD SNAPNRACK ENGINEERING. REACH OUT TO SNAPNRACK IF THIS IS NOT POSSIBLE

REFER TO SNAPNRACK INSTALLATION MANUAL FOR 5/16"Ø HARDWARE TORQUE SPECIFICATIONS

RAIL CAN BE MOUNTED ON EITHER SIDE OF THE L-FOOT

FOR LEVELING DETAILS, REFER TO SNAPNRACK DETAIL DRAWING "SNR-DC-00447"



INSTALLED SECTION VIEW

PENETRATION DETAIL

UR-40 RAIL | UR-60 RAIL

FOR USE WITH SNAPNRACK ULTRA SERIES RAILS



Sunrun South LLC
595 MARKET STREET, 29TH FLOOR • SAN FRANCISCO, CA 94105 USA
PHONE (415) 580-6900 • FAX (415) 580-6902
THE INFORMATION IN THIS DRAWING IS CONFIDENTIAL AND PROPRIETARY. ANY REPRODUCTION, DISCLOSURE, OR USE THEREOF IS PROHIBITED WITHOUT THE WRITTEN CONSENT OF SUNRUN SOUTH LLC.

DESIGNER: M.AFFENTRANGER
DRAFTER: M.AFFENTRANGER
APPROVED BY: E.FERGUSON

SCALE: DNS
DATE: 6/22/2023

DRAWING NUMBER: SNR-DC-00339

DESCRIPTION: ULTRA RAIL, ATTACHMENT DETAIL, UMBRELLA L FOOT TO RAFTER

REV: **B**