

SNAPNRACK ULTRA RAIL UMBRELLA L FOOT WITH UMBRELLA FLASHING FOR COMPOSTION ROOF MOUNTING

REFER TO SNAPNRACK ENGINEERING CHARTS FOR APPLICABLE RAIL SPANS. "BIN" NUMBER ON CHART SHOULD MATCH "BIN" NUMBER ON THIS DRAWING

5/16"Ø S.S. UMBRELLA LAG SCREW MUST EMBED A MIN. OF 2 1/2" INTO STRUCTURAL MEMBER

REFER TO SNAPNRACK INSTALLATION MANUAL FOR 5/16"Ø HARDWARE TORQUE SPECIFICATIONS

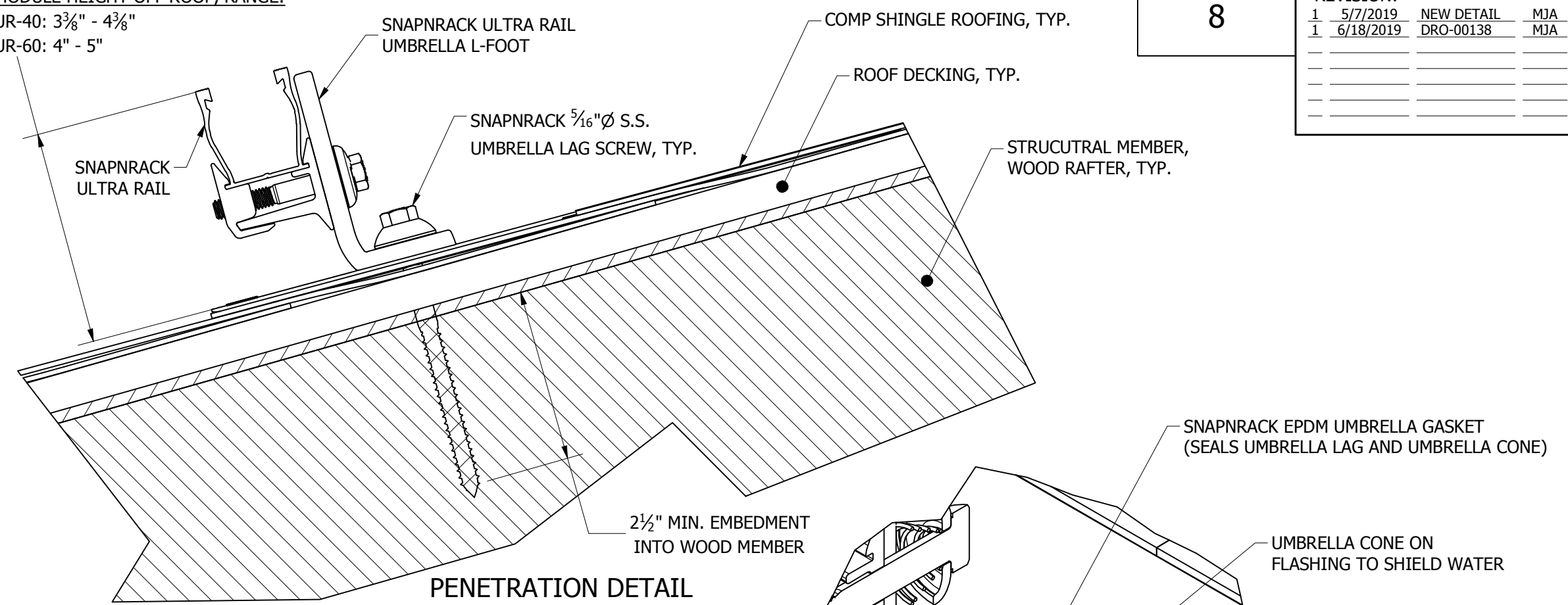
RAIL CAN BE MOUNTED ON EITHER SIDE OF THE L-FOOT

FOR LEVELING DETAILS, REFER TO SNAPNRACK DETAIL DRAWING "SNR-DC-00332 ULTRA RAIL, COMPONENT DETAIL, LEVELING EXTENSION KIT"

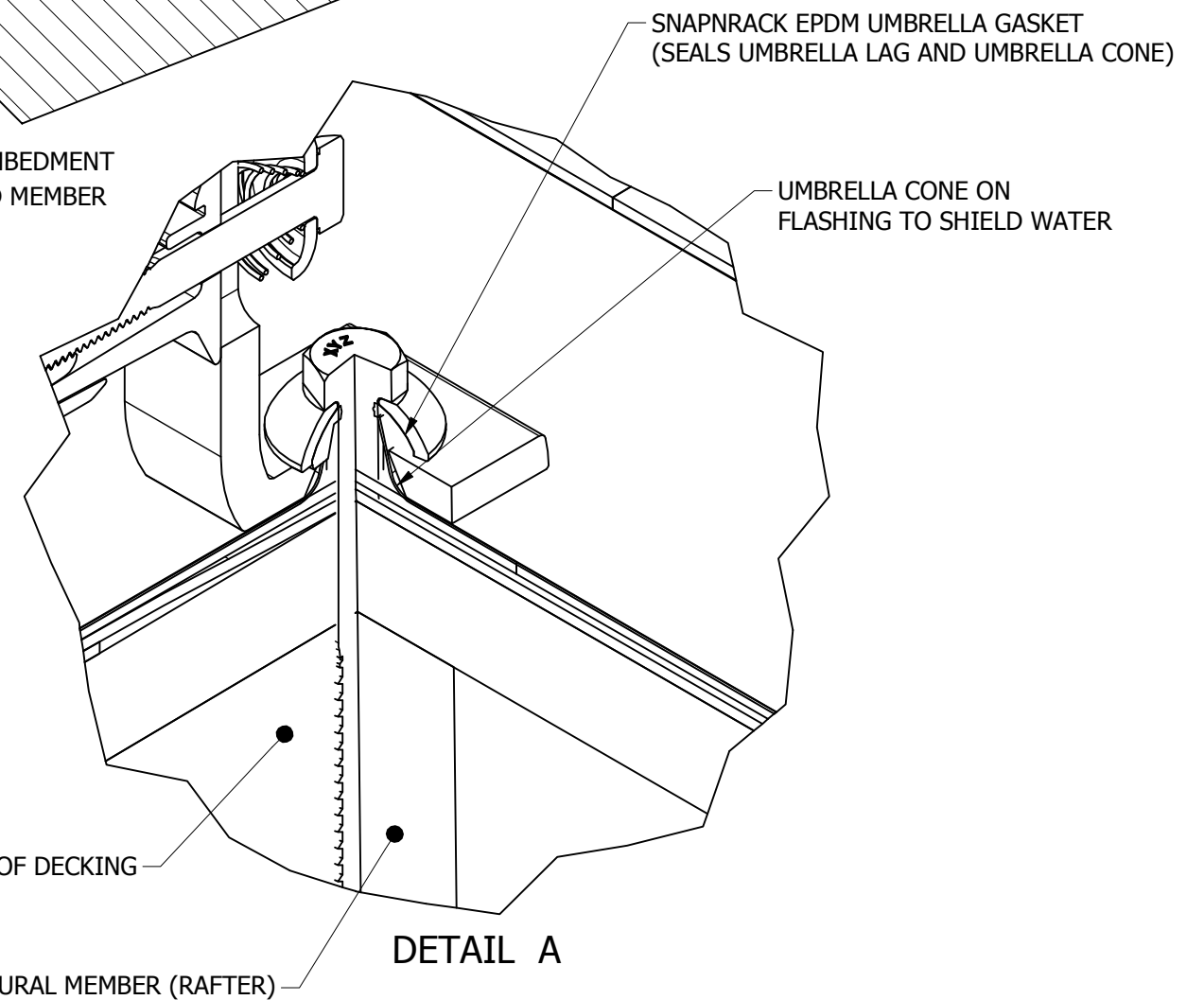
MODULE HEIGHT OFF ROOF, RANGE:
 UR-40: 3 3/8" - 4 3/8"
 UR-60: 4" - 5"

BIN:
8

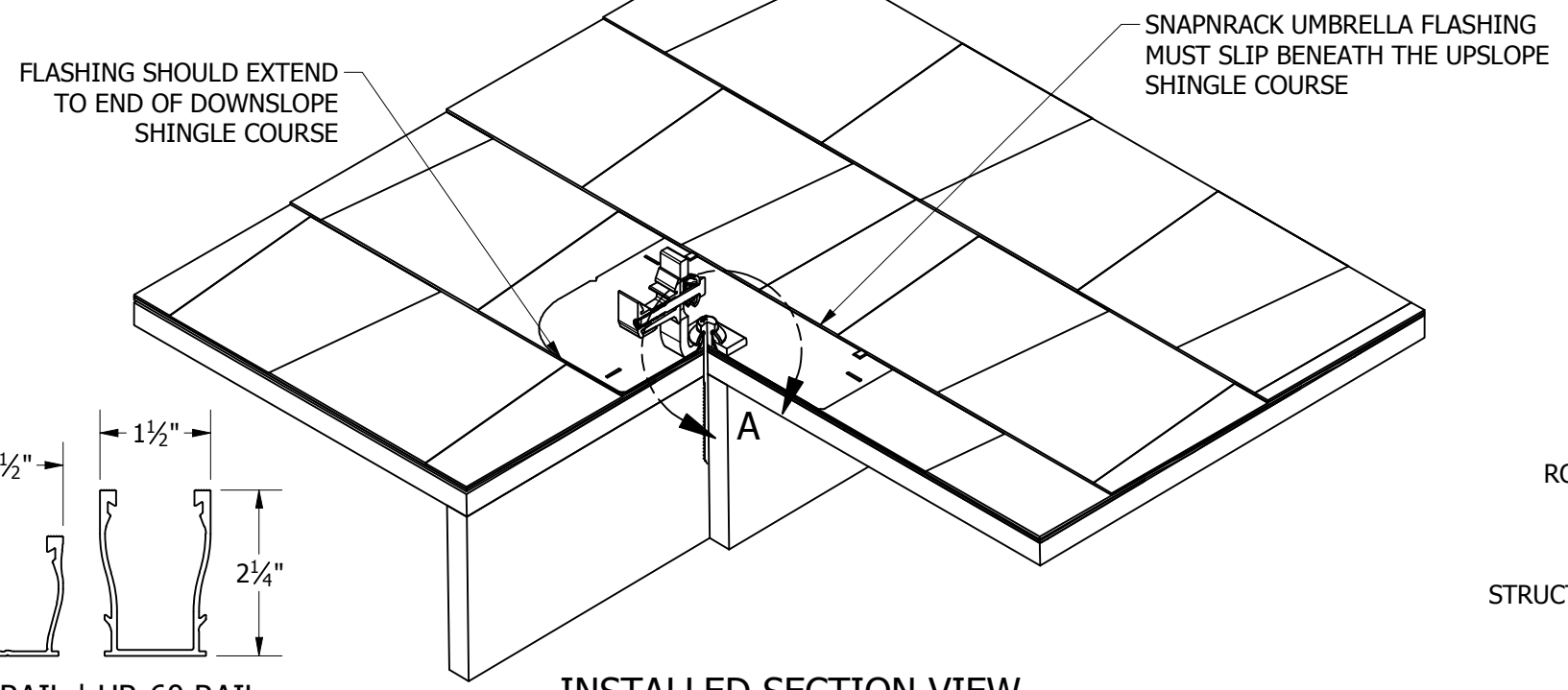
REVISION:			
1	5/7/2019	NEW DETAIL	MJA
1	6/18/2019	DRO-00138	MJA



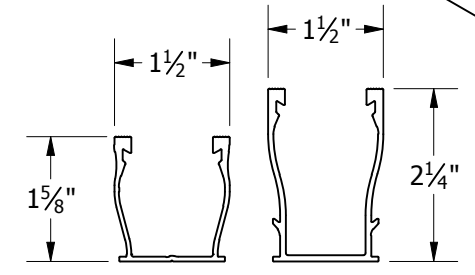
PENETRATION DETAIL



DETAIL A



INSTALLED SECTION VIEW



UR-40 RAIL | UR-60 RAIL

FOR USE WITH SNAPNRACK ULTRA SERIES RAILS



Sunrun South LLC
 595 MARKET STREET, 29TH FLOOR • SAN FRANCISCO, CA 94105 USA
 PHONE (415) 580-6900 • FAX (415) 580-6902
THE INFORMATION IN THIS DRAWING IS CONFIDENTIAL AND PROPRIETARY. ANY REPRODUCTION, DISCLOSURE, OR USE THEREOF IS PROHIBITED WITHOUT THE WRITTEN CONSENT OF SUNRUN SOUTH LLC.

DESIGNER: M.AFFENTRANGER
 DRAFTER: M.AFFENTRANGER
 APPROVED BY: B.PETERSON

SCALE: DNS
 DATE: 6/18/2019

DRAWING NUMBER:
SNR-DC-00339

DESCRIPTION:
ULTRA RAIL, ATTACHMENT DETAIL, UMBRELLA L FOOT TO RAFTER

REV: **1**