

THE ULTRA RAIL CAMMING SEAM CLAMP IS A NON ROOF PENETRATING ATTACHMENT FOR SEAM ROOFS

REFER TO SNAPNRACK ENGINEERING CHARTS FOR APPLICABLE RAIL SPANS. "BIN" NUMBER ON CHART SHOULD MATCH "BIN" NUMBER ON THIS DRAWING

CAMMING SEAM CLAMPS ARE SPECIFIED WITH A BLACK OXIDE S.S. BOLT, IT IS IMPORTANT TO USE THE PROVIDED BOLT

REFER TO SNAPNRACK INSTALLATION MANUAL FOR $\frac{5}{16}$ "Ø HARDWARE TORQUE SPECIFICATIONS

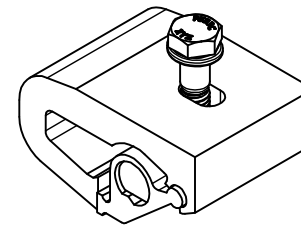
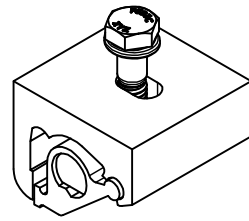
RAIL CAN BE MOUNTED ON EITHER SIDE OF THE L-FOOT

FOR LEVELING DETAILS, REFER TO SNAPNRACK DETAIL DRAWING "SNR-DC-00332 ULTRA RAIL, COMPONENT DETAIL, LEVELING EXTENSION KIT"

BIN:
1

REVISION:		
1	5/7/2019	NEW DETAIL MJA

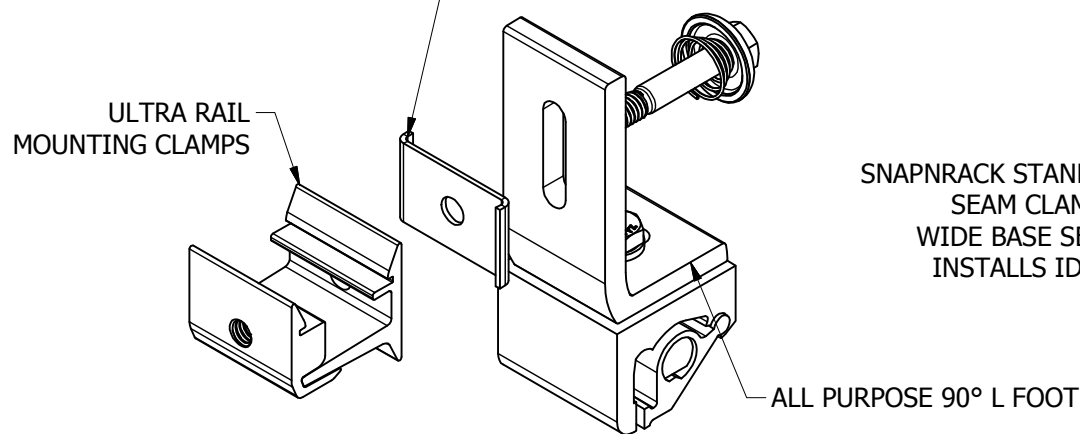
SNAPNRACK RACK OFFERS A STANDARD AND WIDE BASE SEAM CLAMP TO FIT A VARIETY OF SEAM ROOF PROFILES. PLEASE REFER TO SNAPNRACK'S "SEAM CLAMP TESTING - APPROVED PROFILE LIST" FOR EACH SEAM CLAMP'S APPROVED PROFILES



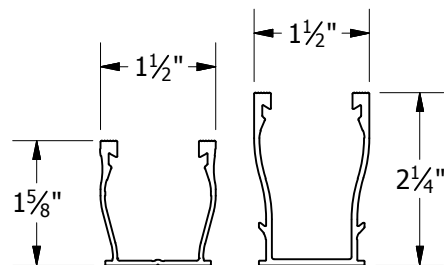
STANDARD BASE SEAM CLAMP

WIDE BASE SEAM CLAMP

IMPORTANT: ROTATION LOCK MUST FIT BETWEEN THE ULTRA RAIL MOUNTING CLAMPS AND ALL PURPOSE 90° L FOOT AS SHOWN



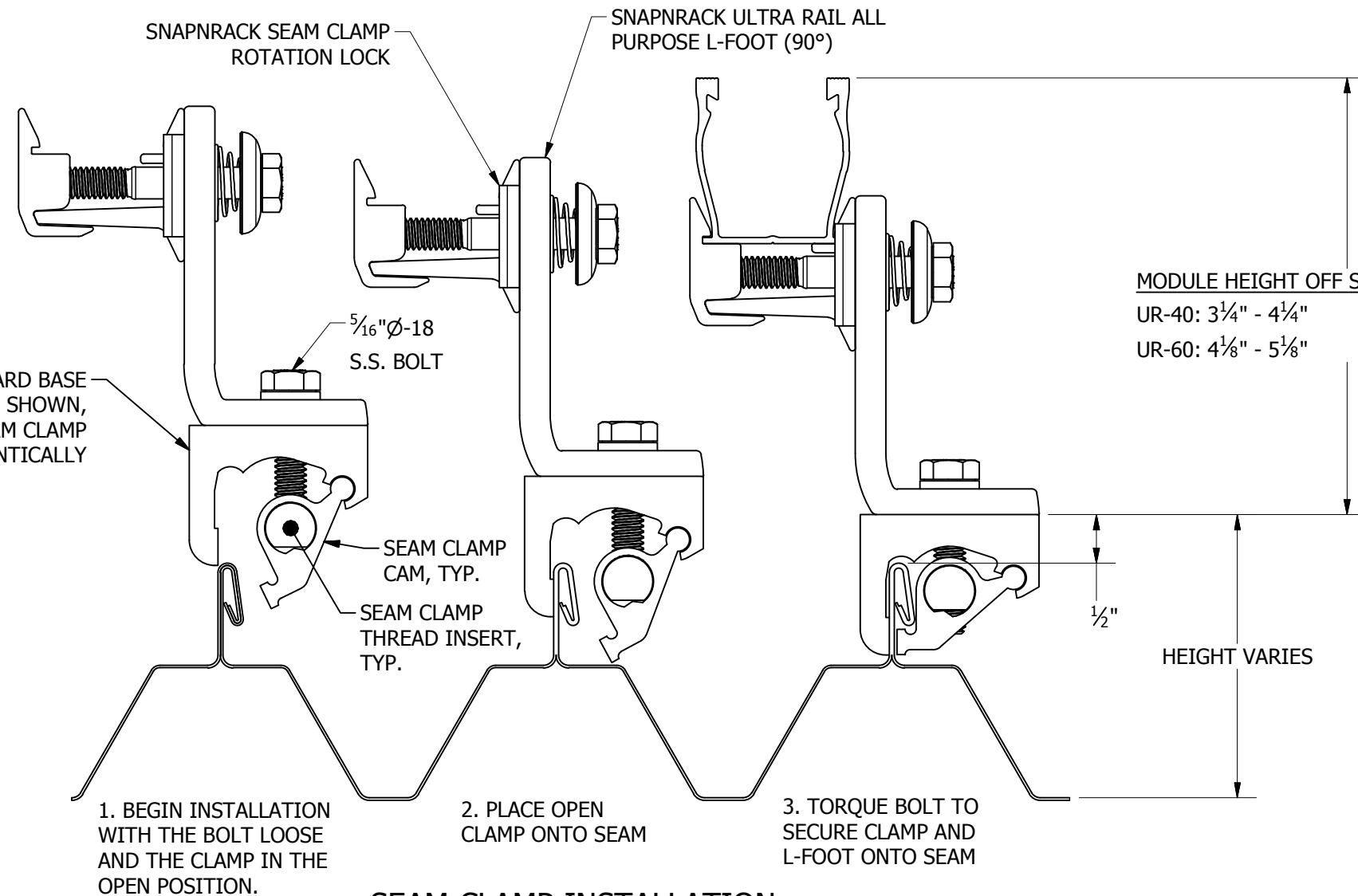
ROTATION LOCK ASSEMBLY



UR-40 RAIL | UR-60 RAIL

FOR USE WITH SNAPNRACK ULTRA SERIES RAILS

SNAPNRACK STANDARD BASE SEAM CLAMP SHOWN, WIDE BASE SEAM CLAMP INSTALLS IDENTICALLY



SEAM CLAMP INSTALLATION



Sunrun South LLC
595 MARKET STREET, 29TH FLOOR • SAN FRANCISCO, CA 94105 USA
PHONE (415) 580-6900 • FAX (415) 580-6902
THE INFORMATION IN THIS DRAWING IS CONFIDENTIAL AND PROPRIETARY. ANY REPRODUCTION, DISCLOSURE, OR USE THEREOF IS PROHIBITED WITHOUT THE WRITTEN CONSENT OF SUNRUN SOUTH LLC.

DESIGNER: G.MCHPEETERS
DRAFTER: M.AFFENTRANGER
APPROVED BY: B.PETERSON

SCALE: DNS
DATE: 5/7/2019

DRAWING NUMBER: SNR-DC-00342

DESCRIPTION: ULTRA RAIL, ATTACHMENT DETAIL, SEAM CLAMP

REV: **1**