

SNAPNRACK METAL ROOF BASE WITH SNAPNRACK ULTRA RAIL ALL PURPOSE L-FOOT (90°) FOR METAL ROOF MOUNTING

BIN:
5

REVISION:		
1	5/7/2019	NEW DETAIL MJA

REFER TO SNAPNRACK ENGINEERING CHARTS FOR APPLICABLE RAIL SPANS. "BIN" NUMBER ON CHART SHOULD MATCH "BIN" NUMBER ON THIS DRAWING

MIN. 3 FULL THREADS PROJECTING THROUGH PURLIN WHEN FASTENING WITH 1/4"Ø TEK SCREW OR EQUIVALENT. USE TEK SCREW MANUFACTURER TORQUE SPECIFICATION

REFER TO SNAPNRACK INSTALLATION MANUAL FOR 5/16"Ø HARDWARE TORQUE SPECIFICATIONS

RAIL CAN BE MOUNTED ON EITHER SIDE OF THE L-FOOT

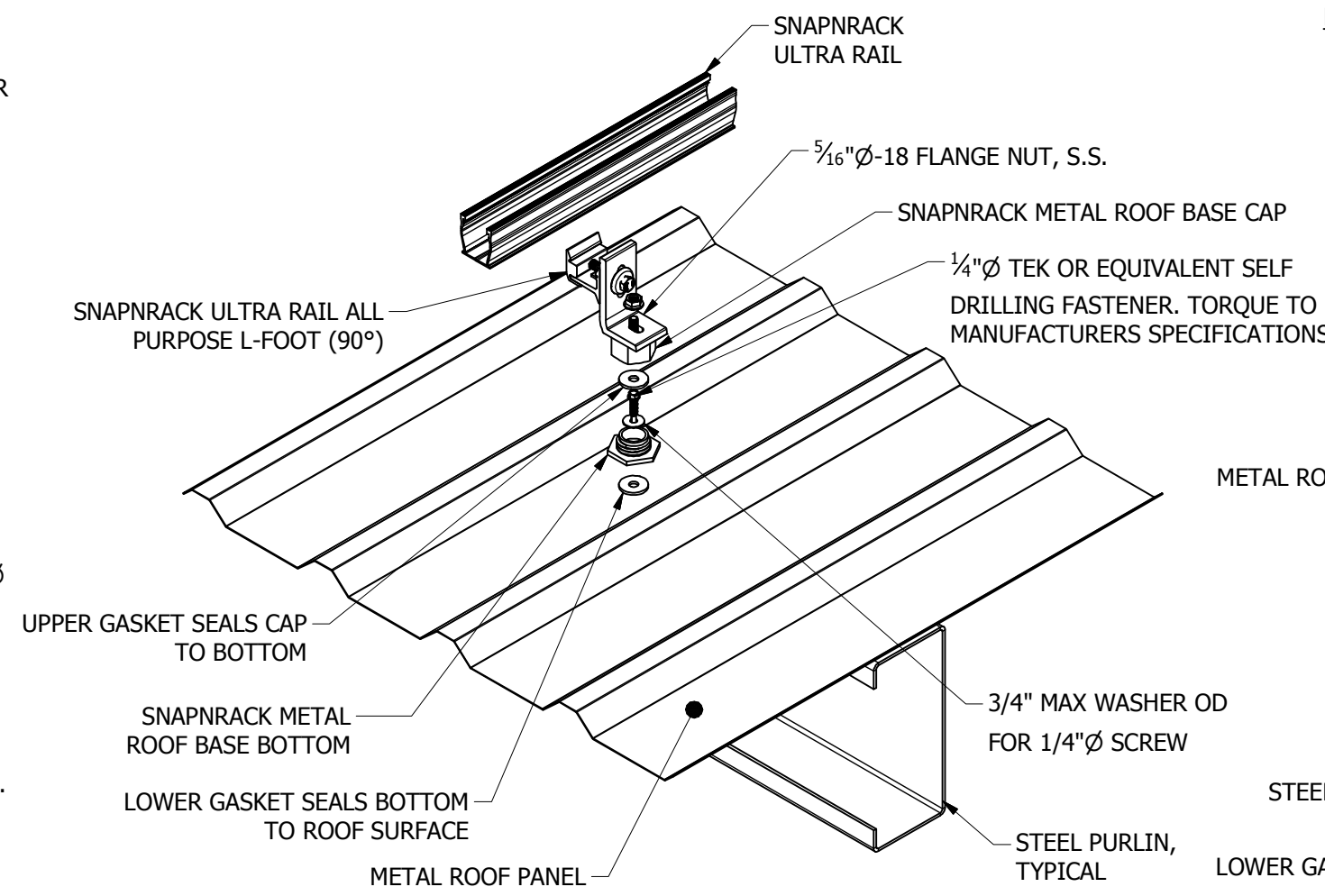
FOR LEVELING DETAILS, REFER TO SNAPNRACK DETAIL DRAWING "SNR-DC-00332 ULTRA RAIL, COMPONENT DETAIL, LEVELING EXTENSION KIT"

INSTALLATION STEPS:

STEP 1:
ATTACH METAL ROOF BASE TO PURLIN WITH 1/4"Ø TEK OR EQUIVALENT SELF DRILLING SCREW. TORQUE TO MANUFACTURER'S SPECIFICATIONS

STEP 2:
THREAD METAL ROOF BASE CAP ONTO METAL ROOF BASE BOTTOM. TAKE CARE TO ENSURE THE BASE DOES NOT TWIST WHEN CAP IS TIGHTENED. ENSURE CAP IS FULLY SEATED TO BASE.

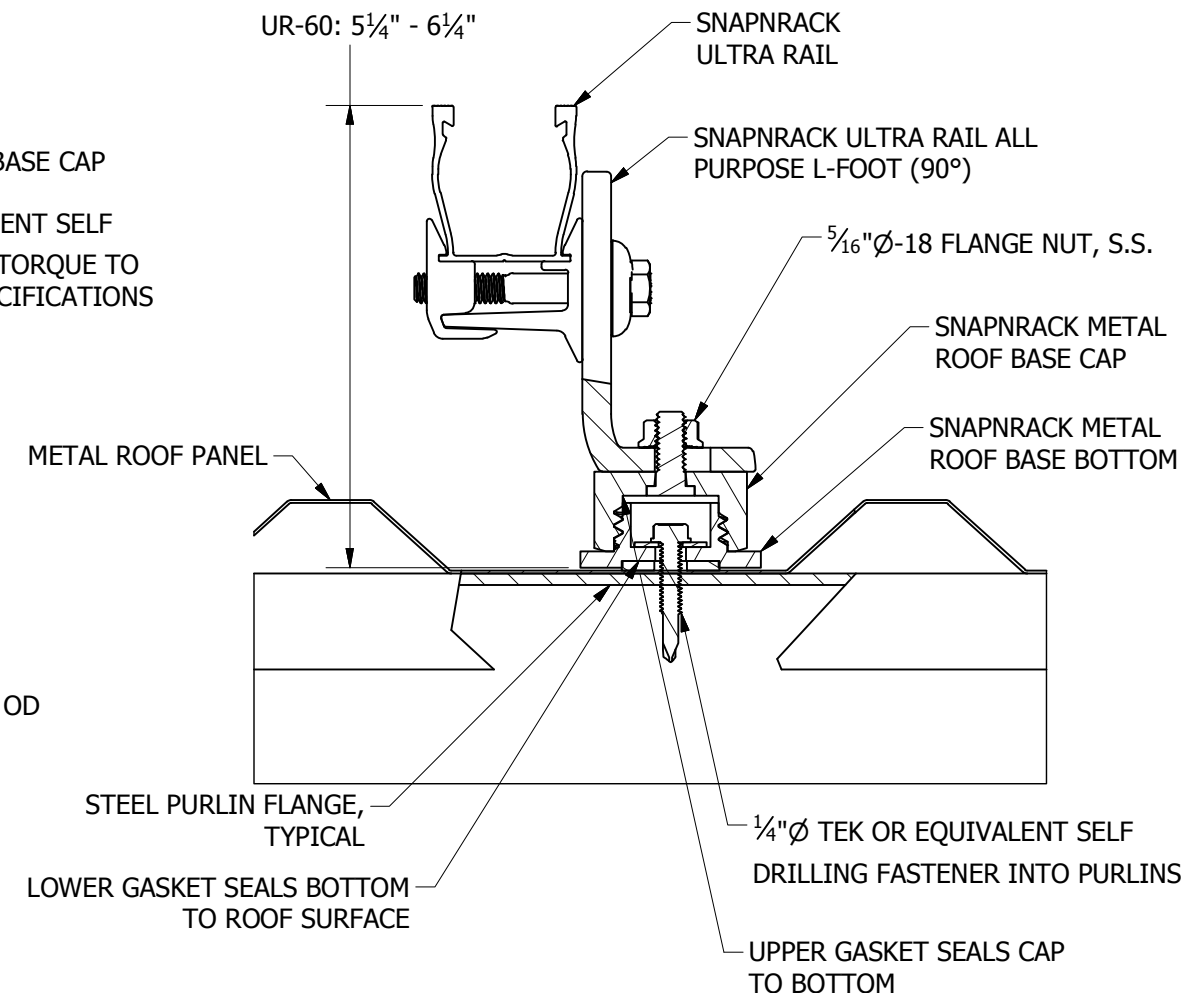
STEP 3:
ATTACH L-FOOT TO STUD IN METAL ROOF BASE CAP WITH FLANGE NUT.



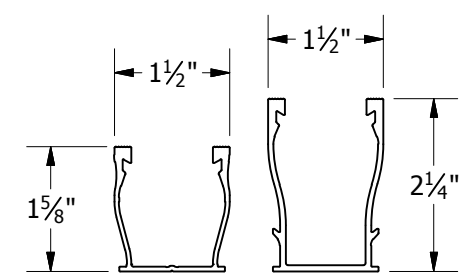
MRB SYSTEM INSTALLED, EXPLODED

MODULE HEIGHT OFF ROOF, RANGE:

UR-40: 4 5/8" - 5 5/8"
UR-60: 5 1/4" - 6 1/4"



PENETRATION DETAIL



UR-40 RAIL | UR-60 RAIL

FOR USE WITH SNAPNRACK ULTRA SERIES RAILS

	Sunrun South LLC 595 MARKET STREET, 29TH FLOOR • SAN FRANCISCO, CA 94105 USA PHONE (415) 580-6900 • FAX (415) 580-6902 <small>THE INFORMATION IN THIS DRAWING IS CONFIDENTIAL AND PROPRIETARY. ANY REPRODUCTION, DISCLOSURE, OR USE THEREOF IS PROHIBITED WITHOUT THE WRITTEN CONSENT OF SUNRUN SOUTH LLC.</small>	DESIGNER: <u>G.MCPHEETERS</u> DRAFTER: <u>M.AFFENTRANGER</u> APPROVED BY: <u>B.PETERSON</u>	SCALE: <u>DNS</u> DATE: <u>5/7/2019</u>	DRAWING NUMBER: <u>SNR-DC-00345</u>	DESCRIPTION: ULTRA RAIL, ATTACHMENT DETAIL, METAL ROOF BASE WITH L FOOT TO PURLIN	REV: 1
		THE INFORMATION IN THIS DRAWING IS CONFIDENTIAL AND PROPRIETARY. ANY REPRODUCTION, DISCLOSURE, OR USE THEREOF IS PROHIBITED WITHOUT THE WRITTEN CONSENT OF SUNRUN SOUTH LLC.				